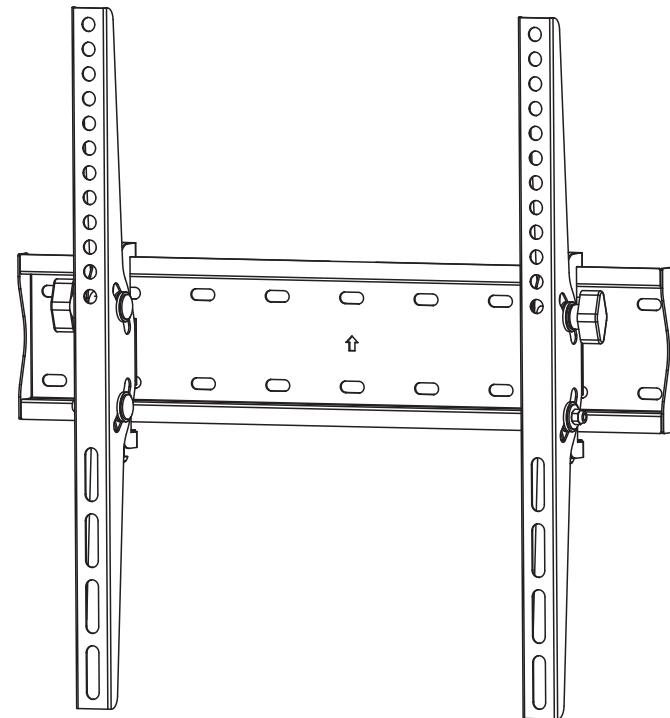


Tilting Wall Mount

We Will Make It Stress Free

Please reach out to us if you have any questions
at all. 1-877-38-HUSKY(1-877-384-8759)
We are here to help!



CAUTION: DO NOT EXCEED RATED LISTED WEIGHT CAPACITY. SERIOUS INJURY OR PROPERTY DAMAGE MAY OCCUR!

TL-400LM



200x200/300x300
400x200/400x400



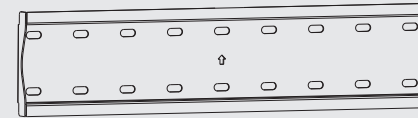
NOTE: Read the entire instruction manual before you start installation and assembly.

WARNING

- Do not begin the installation until you have read and understood all the instructions and warnings contained in this installation sheet. If you have any questions regarding any of the instructions or warnings, please contact the seller.
- This mounting bracket was designed to be installed and utilised **ONLY** as specified in this manual. Improper installation of this product may cause damage or serious injury.
- This product should only be installed by someone with good mechanical ability who has basic building experience and fully understands this manual.
- Make sure that the supporting surface will safely support the combined weight of the equipment and all attached hardware and components.
- If mounting to wood wall studs, make sure that mounting screws are anchored into the center of the studs. The use of a stud finder is highly recommended.
- Always use an assistant or mechanical lifting equipment to safely lift and position the equipment.
- Tighten screws firmly, but do not over tighten. Over tightening can cause damage to the items, This greatly reduces their holding power.
- This product is intended for indoor use only. Using this product outdoors could lead to product failure and personal injury.
- Make sure that no electrical cable, water pipes or gas pipes are located within the mounting surface in the wall.
- We hereby disclaim any and all liability for injury or damage arising from incorrect assembly, incorrect mounting, or incorrect use of this product.

Component Checklist

IMPORTANT: Ensure that you have received all parts according to the component checklist prior to installation. If any parts are missing or faulty, please contact the seller for replacement.



wall plate (x1)
A



left adapter bracket (x1)
B



right adapter bracket (x1)
C



bubble level (x1)
D

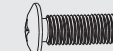
Package M



M4x14 (x4)
M-A



M5x14 (x4)
M-B



M6x14 (x4)
M-C



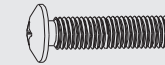
M8x16 (x4)
M-D



M4x35 (x4)
M-E



M5x35 (x4)
M-F



M6x35 (x4)
M-G



M8x35 (x4)
M-H



washer (x4)
M-I

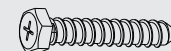


5mm spacer (x8)
M-J



15mm spacer (x4)
M-K

Package W



ST6.3x55 (x4)
W-A

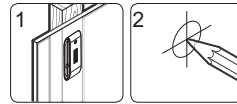
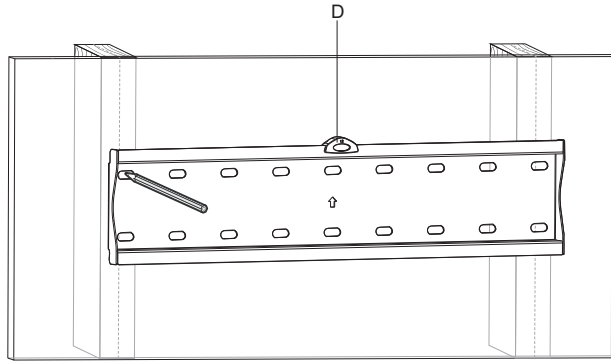
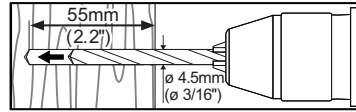
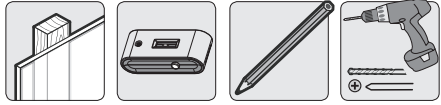


concrete anchor (x4)
W-B

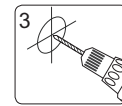


D6 washer (x4)
W-C

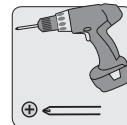
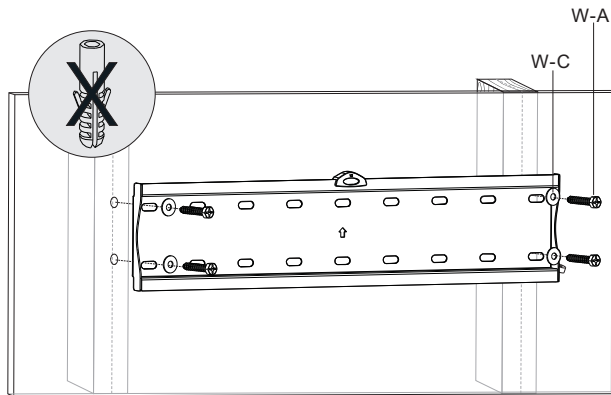
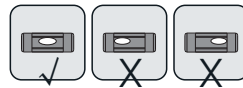
1a. For Wood Stud Wall Mounting (do not use Concrete anchors W-B)



Find and mark the exact location of mounting holes

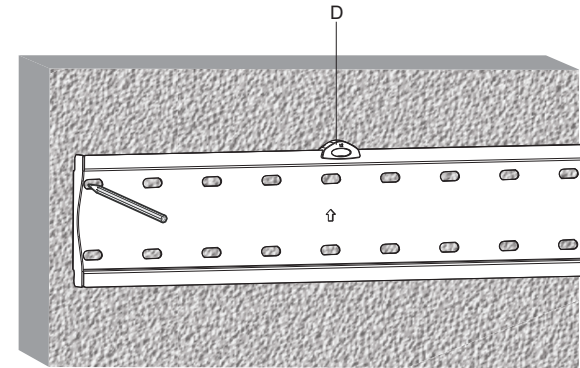
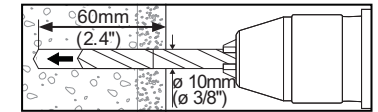
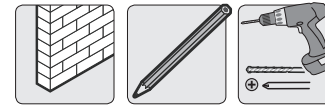


Drill pilot holes

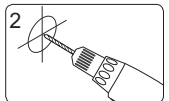


Screw the wall plate onto the wall

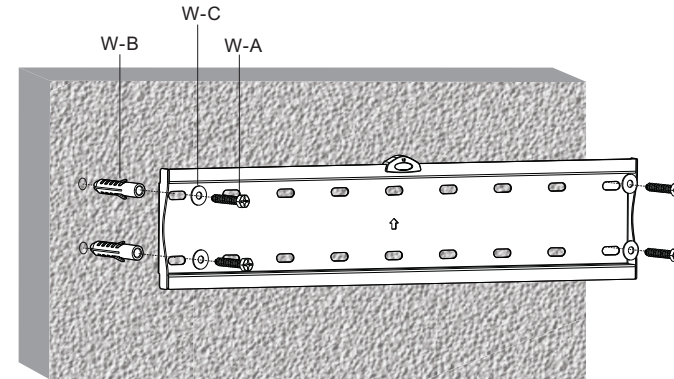
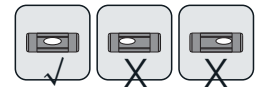
1b. For Solid Brick and Concrete Mounting (the use of the concrete anchors W-B is necessary)



Mark the exact location of mounting holes



Drill pilot holes



Screw the wall plate onto the wall

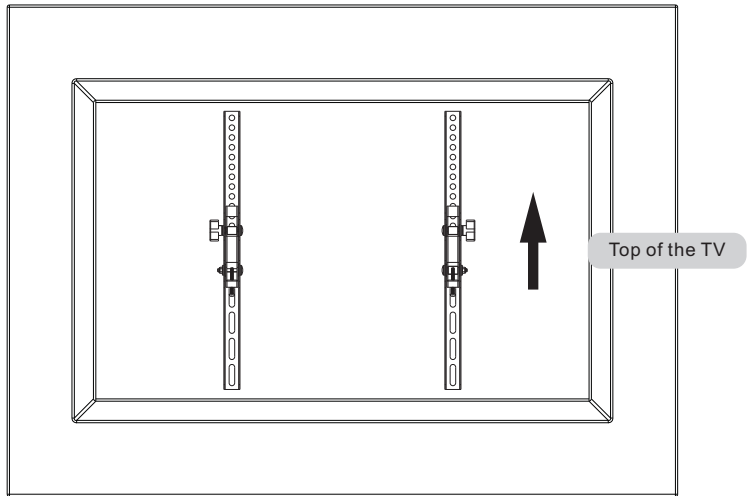
! WARNING

- Make sure that mounting screws are anchored into the center of the studs. The use of a stud finder is highly recommended.
- Installers are responsible to provide hardware for other types of mounting situations.
- Installers must verify that the supporting surface will safely support the combined weight of the equipment and all attached hardware and components.

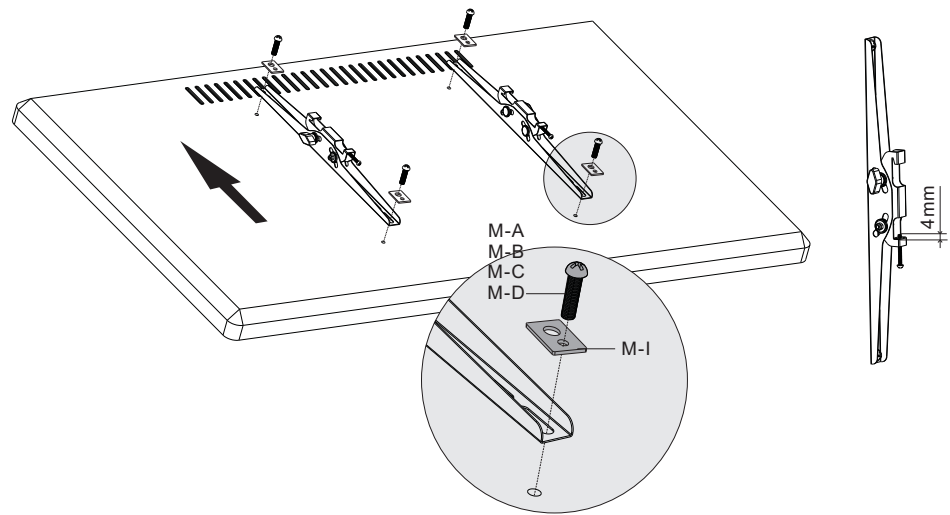
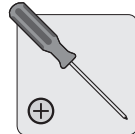
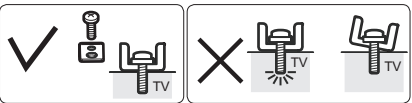
! WARNING

Installers must verify that the supporting surface will safely support the combined weight of the equipment and all attached hardware and components.

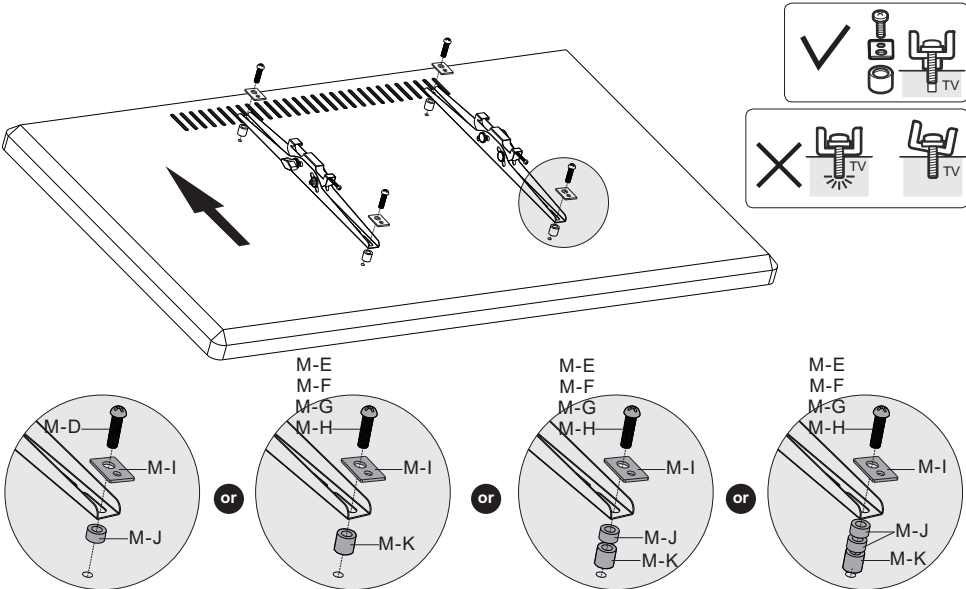
2. Installing the Adapter Brackets



2-1 For Flat Back Screens



2-2 For Recessed Back Screens or to Access A/V Inputs



Note: Choose the appropriate screws, washers and spacers (if necessary) according to the type of screen.

- if the spacers are used, they should be placed between the mounting arms and the back of TV, and not between the mounting arms and the head of the screw.
- Position the adapter brackets as close as possible to the center of the TV.
- Screw the adapter brackets onto the TV.

⚠ Tighten all screws but do not over tighten.

3. Hanging the TV onto the Wall Plate

