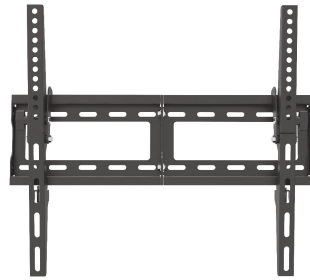


# 145mm

# 145mm

# 210mm

## HUSKY MOUNT TL-400-E Instruction Manual



**We Will Make It Stress Free**  
Please reach out to us if you have any questions  
at all. 1-877-38-HUSKY(1-877-384-8759)  
We are here to help!

Note: Read entire instruction sheet before you start installation and assembly.

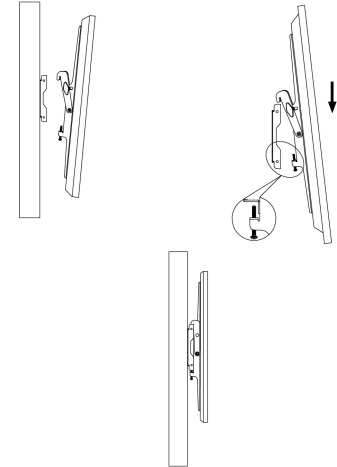
### WARNING

- Do not begin the installation until you have read and understood the instructions and the warnings contained in this installation sheet. If you have any questions regarding any of the instructions or warnings, please contact your local distributor.
- This mounting bracket was designed to be installed and utilized ONLY as described in this manual. Improper installation of this product may cause damage or serious injury.
- This product should only be installed by someone of good mechanical ability, with basic building experience and full understanding of this manual
- Make sure that the supporting surface will safely support the load of the display
- For wood stud mounting. Make sure the lag bolts are anchored into the center of the stud. The use of a stud finder is highly recommended.
- Always use assistance to safely lift and position equipment.
- Tighten screws and lag bolts firmly, but do not over tighten. Over tightening may damage the unit, your display or the screws
- Make sure that no electrical cable, water pipes or gas pipes are located within the mounting surface in the wall
- We hereby disclaim any and all liability for injury or damage arising from incorrect assembly, incorrect mounting, or incorrect use of this product.

1

### 5 Mounting the TV and Arm Brackets onto the wall plate

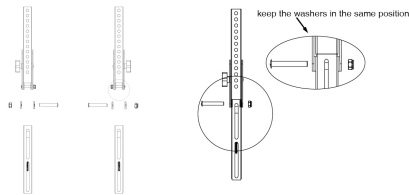
- If your TV is heavy, make sure you have additional help for lifting. Hook the two arm brackets onto the Wall plate and make sure both brackets are safe and secure on the top rail of the wall plate.
- In order to prevent your TV from detaching from the wall, tighten the two security screws at the bottom of the arm brackets.
- Set the proper tilting angle, and then lock the tilting knob.



6

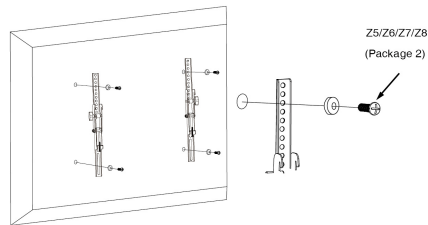
### 3 Assembling the Two Arm brackets

- Place the two halves of each arm bracket side by side, remove the nut from the bolt, pull the bolt out, match the holes and then attach the two halves and make sure you keep the washers in the same position to ensure a smooth tilting function. Use the nut to tighten the two parts.



### 4 Attaching arm brackets into the back of the TV

- Choose the proper TV screws (Z5, Z6, Z7 or Z8) provided and position the arm brackets as close as possible to the center of the back of the TV. Screw the arm brackets into the back of the TV.



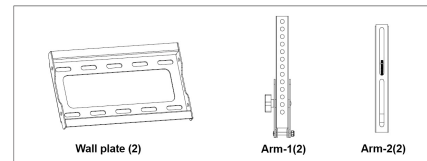
Note: the TV screw sets provided are of standard size. They will fit the majority of TVs on the market. Should your TV require a different sized screw; the size can be established through the TV User Manual and can then be purchased from your local hardware store.

5

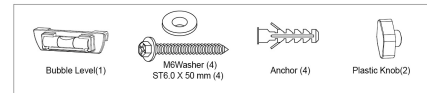
### Tools required for installation

- Stud finder for wood stud installation -Pencil -Phillips screw driver -Measuring tape -Bubble leveler
- Ratelbit -Electric drill -Masonry Drill bit for concrete wall installation(5/16" drill bit is recommended)
- Drill bit for wood stud installation(1/8" drill bit is recommended)

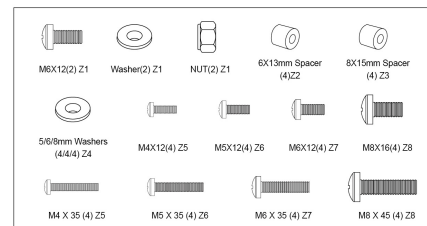
### Parts list



### PACKAGE 1



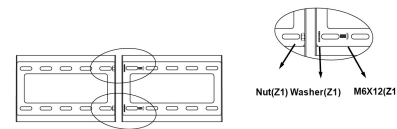
### PACKAGE 2



2

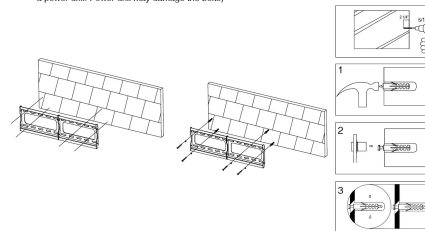
### 1 Assembling the Wall Plate

Place the two pieces of wall plate side by side and then lock with bolts and nuts (Hardware Z1).



### 2a Mount on Solid Brick and Concrete Wall

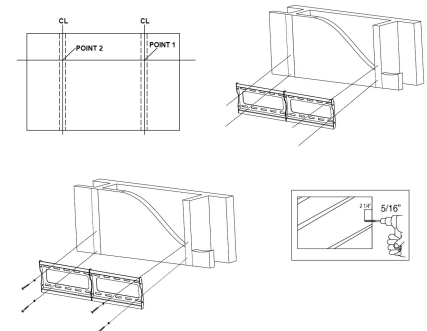
- Measure and outline the location of the wall plate on the wall
- Mark the location of the mounting holes and make sure the plate is level.
- Using a masonry drill bit drill holes into the wall, and then insert the provided concrete anchors into each hole.
- Using a rubber hammer, tap each anchor flush.
- Using the provided lag bolts and washers, screw the wall plate into the wall(use a socket ranch not a power drill. Power drill may damage the bolts)



3

### 2b Mount on Wood Stud Wall

- Locating the Stud (This mount is designed for 16" apart studs)
- Using a stud finder is highly recommended. If you don't have a stud finder, use a thin nail and a hammer or a thin drill bit to locate the stud. The distance between studs is usually 16" but some are 18" or 24" apart.
- Drill Pilot Holes
- After you locate the two studs where you want to attach the wall mount, it's important that you locate the center of the studs, in order to ensure your TV will be mounted safely and securely. The Wood studs are 2" wide and 4" deep. Find the stud edges, and then drill a pilot hole into the center of the stud. Level the wall plate against the wall and then mark a second hole on the second stud, 16" apart from the first hole. While holding the wall plate against the wall, mark another two holes at the bottom. The bottom holes should be aligned vertically with the top two holes.
- Mount the Wall Plate (Do not use the plastic anchors for the wood stud)
- Use the provided lag bolts and washers to attach the wall plate to the wall. You may start with a power drill but you must finish with socket ranch (a power drill can be used to drill the lag bolt into the stud but before it's all the way in you must use a socket ranch, otherwise the power drill may damage the bolt). Before fully tightening the lag bolts, make sure to level the wall plate using a bubble leveler. Don't over tighten the lag bolts.



4