

QuiQ™ 1000

1000W Industrial Battery Charger

Available models:				
24 V / 25 A	36 V / 21 A	48 V / 18 A	72 V / 12 A	96 V / 8.5 A

The QuiQ 1000 is a highly durable on- or off-board charging solution that operates on any single-phase grid worldwide with a 93% peak efficiency. The charger can store 10 lab-validated charge profiles for specific brands or amp-hour ranges of lead acid and lithium motive battery packs, to assist customers in achieving battery charging flexibility. Applications include aerial work platforms, floor care machines, lift trucks, motorcycles, scooters, and utility vehicles.

Proven, Efficient Design
 A proven power electronics design with 93% energy efficiency and sealed enclosure to prevent damage from high vibration, extreme ambient temperatures, water, chemicals, and dust ingress.

Easy to Integrate
 The QuiQ 1000 can be equipped to go on- or off-board, and is the same mechanical design as all other QuiQ series chargers. Clear display to indicate charging progress and completion. Uses battery maintenance tools for integrated charge cycle and event tracking.

Charge Quality
 Charge profiles to precisely charge deep-cycle lead acid and lithium batteries. Developed in Delta-Q's battery lab to balance charge time, battery life and application requirements.

Global Flexibility
 Global AC input to be used anywhere in the world, and has comprehensive regulatory approvals, including CEC energy efficiency standards.

QuiQ 1000 Charger Specifications



DC Output	24 VDC	36 VDC	48 VDC	72 VDC	96 VDC
Maximum DC output power	695 W	875 W	1000 W	1000 W	945 W
Maximum DC output current	25 A	21 A	18 A	12 A	8.5 A
Maximum DC output voltage	34 V	51 V	68 V	100 V	135 V
Deep discharge recovery (minimum voltage)	6 V	9 V	12 V	18 V	24 V
Maximum interlock current	1 A	1 A	1 A	0.5 A	0.5 A
Battery type	Lead acid (Wet / AGM / GEL), lithium ion				
Reverse polarity	Electronic protection with auto-reset				
Short circuit	Electronic current limit				

AC Input	
AC input voltage range	85-265 VAC
Nominal AC input voltage	120 VAC / 230 VAC
Supported AC sources	Single phase
AC input frequency	45-65 Hz
Maximum / nominal AC input current	12 A / 9.5 A @120 VAC; 5 A rms @230 VAC
Nominal AC power factor	>0.99 @ 120 VAC; >0.98 @ 230 VAC

Regulatory	
Efficiency	93%; California Energy Commission (CEC) compliant
Safety	UL approved to UL1564 3rd Ed. and CSA 107.2, EN 60335-2-29 Designed to meet UL2202 1st Ed.
Emissions	FCC Part 15 / ICES 003 Class A, EN 55011
Immunity	EN 61000-3-2, EN 61000-3-3, EN 61000-6-2, EN 61000-6-4

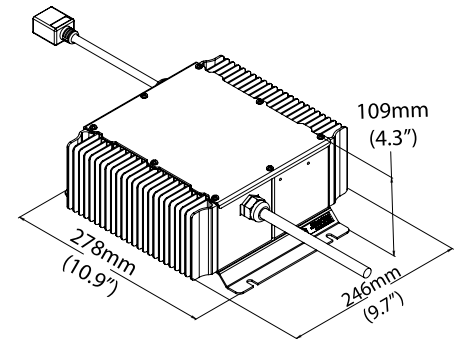
Mechanical	
Dimensions	28.0 x 24.6 x 11.0 cm (10.9 x 9.7 x 4.3")
Weight	< 5 kg. (<11 lbs.)
AC input connector	IEC320/C14 (requires country-specific cord)
DC output connector	OEM specific with 12 AWG wire

Environmental	
Enclosure	IP66 (NEMA4)
Operating temperature	-30°C to +50°C (-22°F to 122°F) Derated at >30°C (86°F), <0°C (32°F)
Storage temperature	-40°C to +70°C (-40°F to 158°F)

Usability Features

- + Battery temperature monitor
- + Multi-color LED indicator for >80% charge, full charge, fault
- + Field programmable with up to 10 QuiQ charging profiles
- + Download charge / event data using QuiQ Programmer

Dimensions



Web: delta-q.com
 Phone: +1.604.327.8244
 E-mail: sales@delta-q.com

Visit delta-q.com/products to view the complete Delta-Q product portfolio.

Delta-Q Technologies
 3755 Willingdon Avenue
 Burnaby, BC V5G 3H3
 Canada