

INSTALLATION & OPERATION

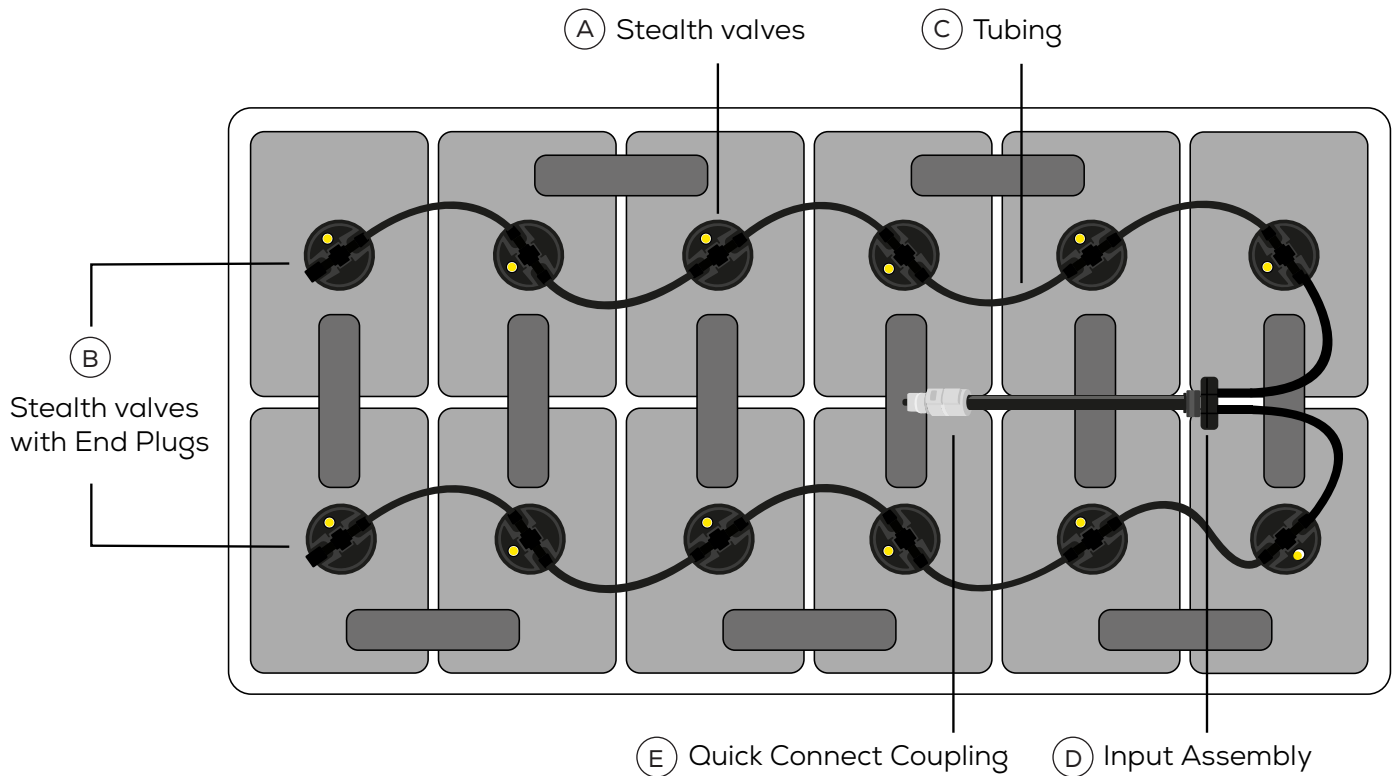


A STEALTH WATERING SYSTEM™ KIT includes:

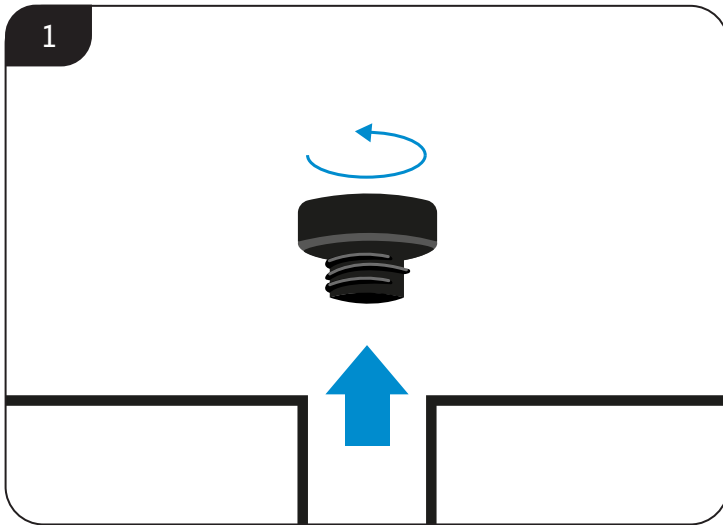


18 Cell Stealth Watering System™ Kit for 36 Volt Batteries

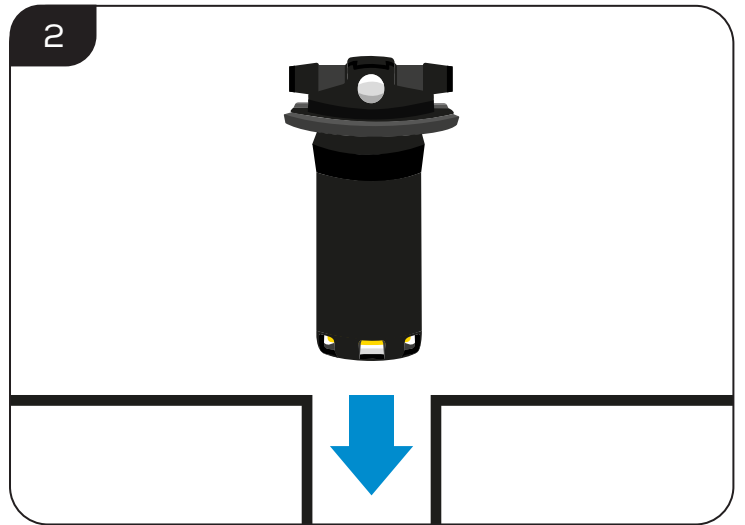
- A** Number of Stealth valves
- B** End Plugs x2
- C** Coil of Tubing x1
- D** Input Assembly x1
- E** Quick Connect Coupling (x1)
- F** Cable Ties x2



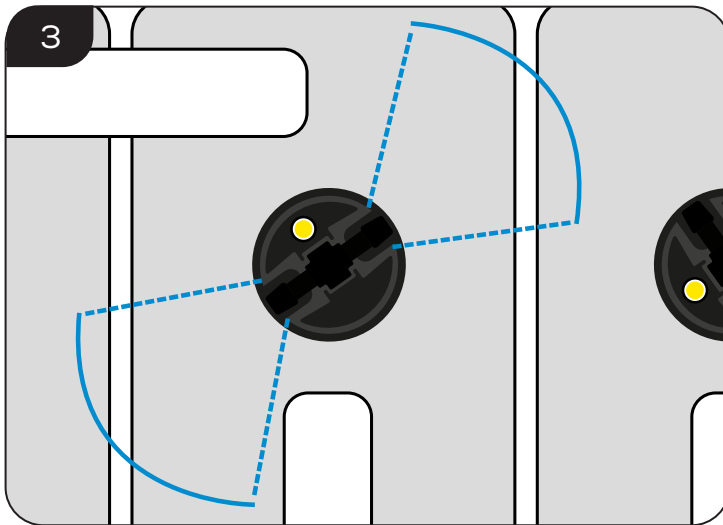
SECTION 1: INSTALLATION



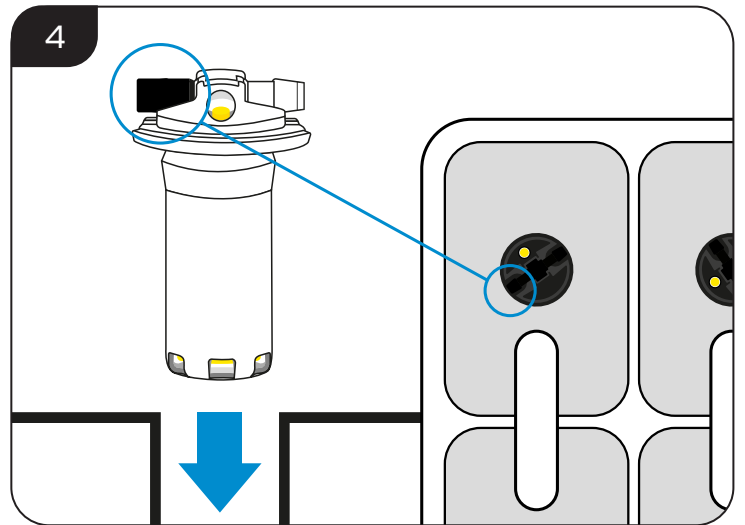
Remove the vent caps from each battery cell.



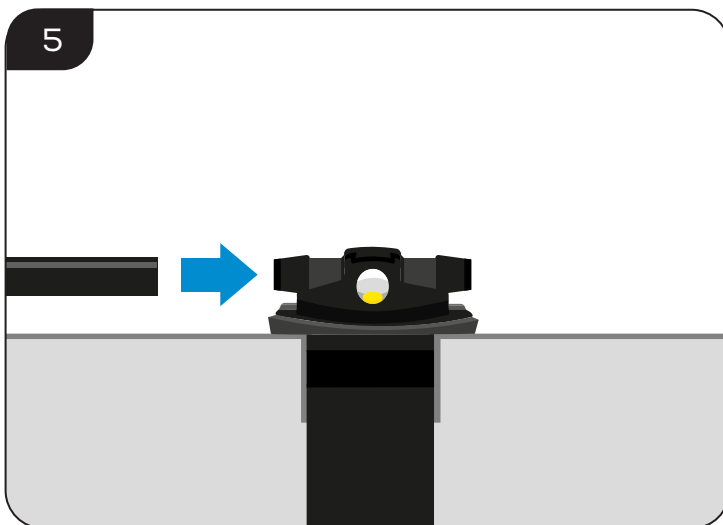
Place a Stealth valve into the vent hole of each battery cell and press it firmly into place.



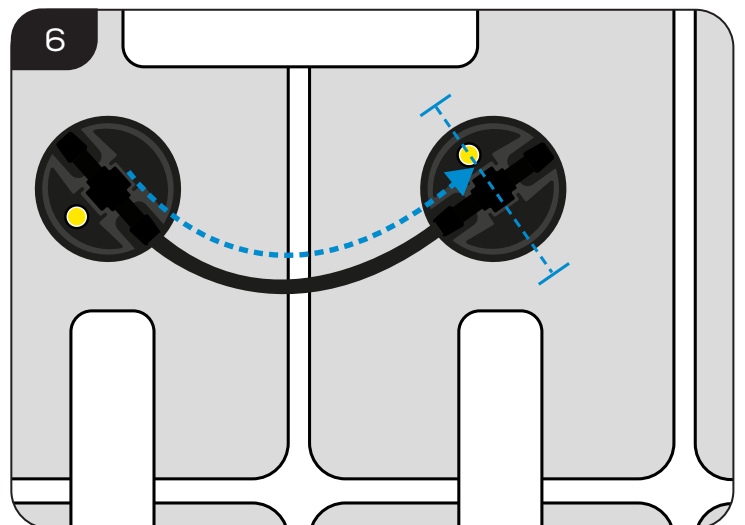
Ensure there is clear access to both of the valve's tubing barbs.



Locate the Stealth valves with end plugs where the system will terminate.

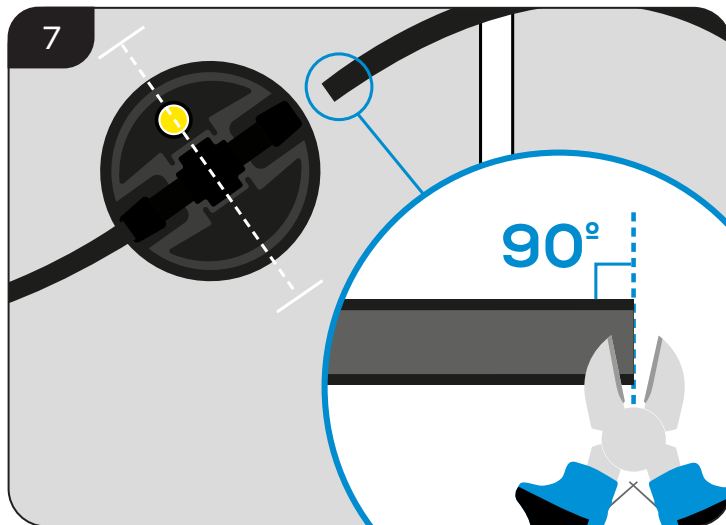


Fully push the free end of the tubing onto the first valve's barb and push it firmly until it stops.

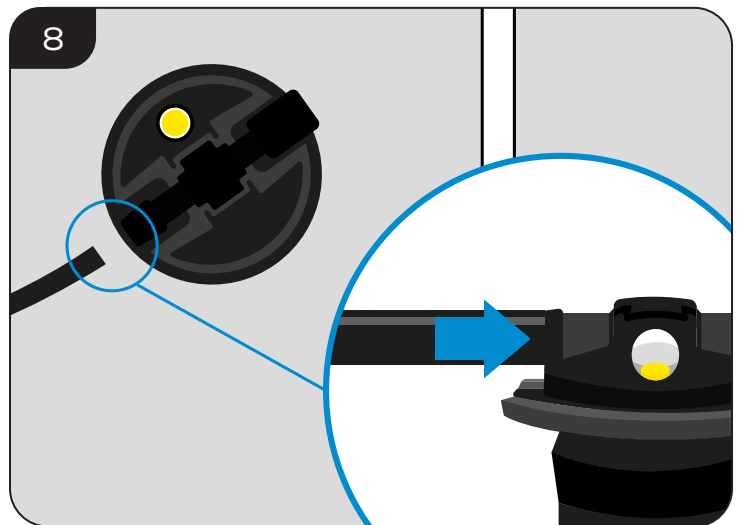


Measure the tubing to the middle of next valve in the sequence, ensuring a small amount of slack.

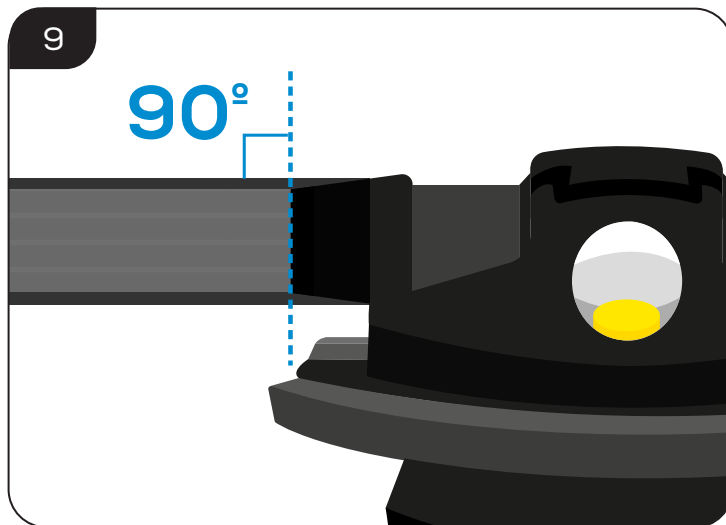
SECTION 1: INSTALLATION (Cont'd)



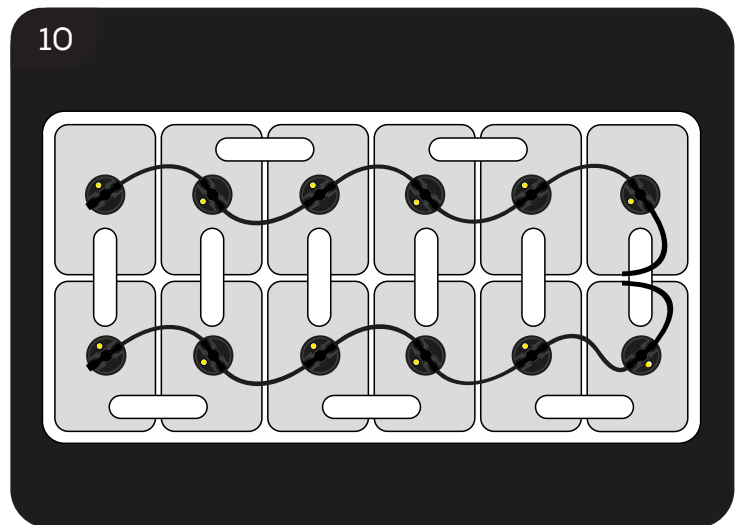
Cut the tubing squarely at this point using a tubing cutter, ensuring end of tubing is not crushed.



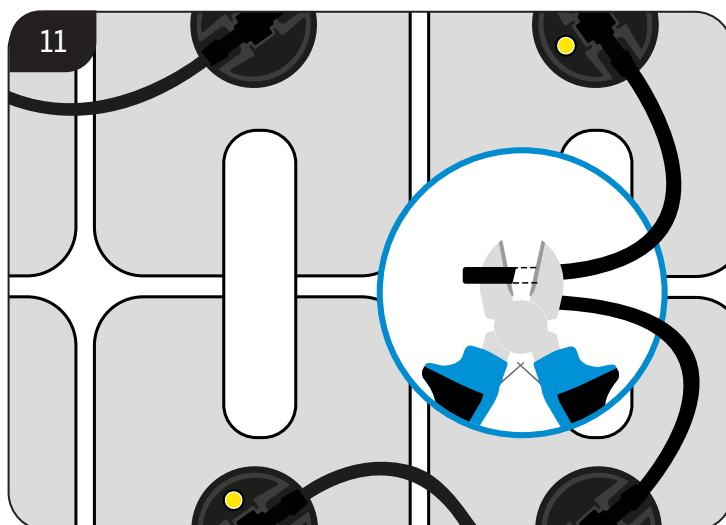
Push the cut end of the tube onto the second valve barb and press it firmly.



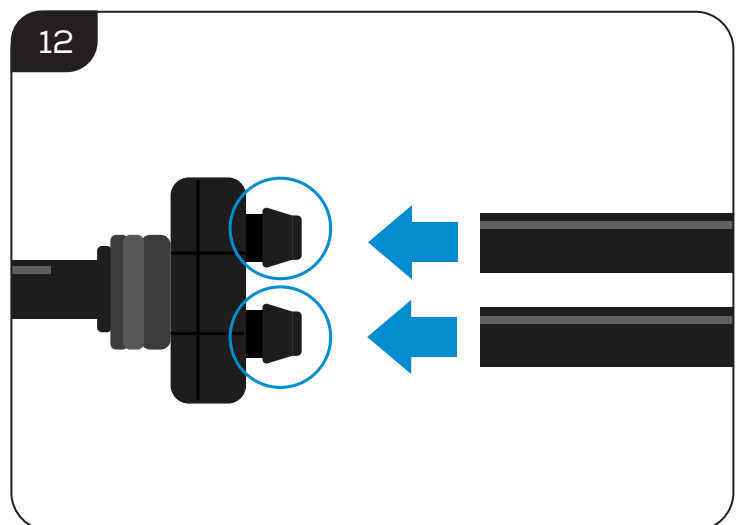
Make sure the tubing is cut squarely and fully inserted onto each barb, in case of leaking.



Apply the same cut to connect and secure all the valves and the remaining tubing.

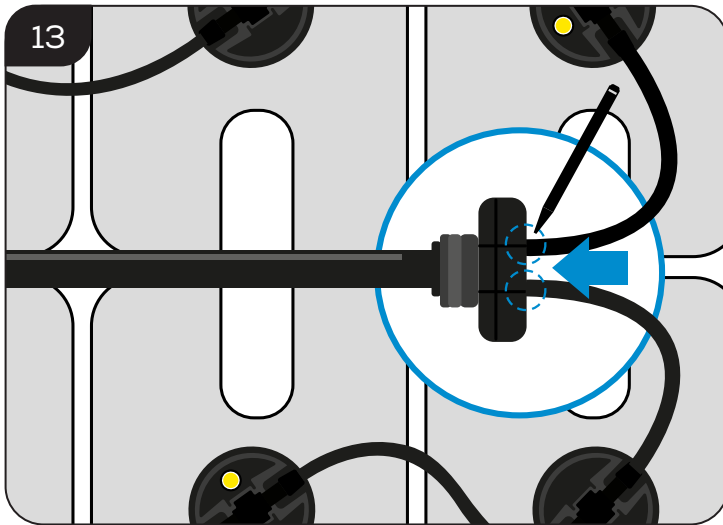


Choose a suitable* position for the Water Input Assembly and cut the tubing. (*The position varies based on the different number of cells, please refer to the sample layouts shown on page 6.)

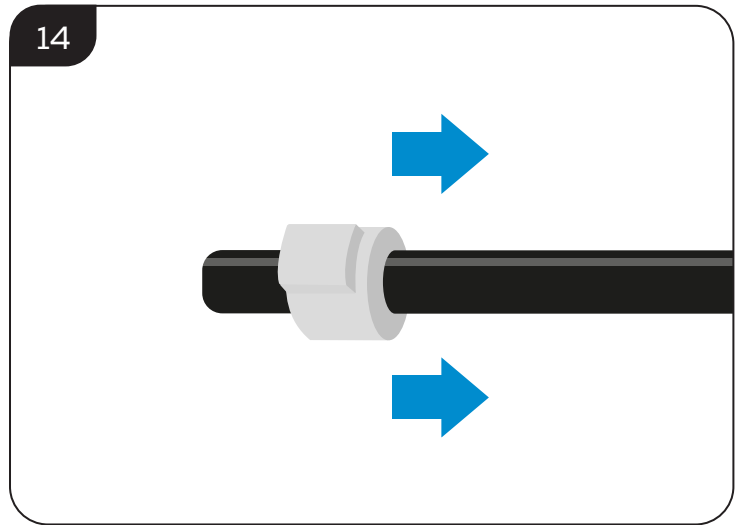


Connect the Water Input Assembly by firmly inserting the tubes in the same way as with the valves.

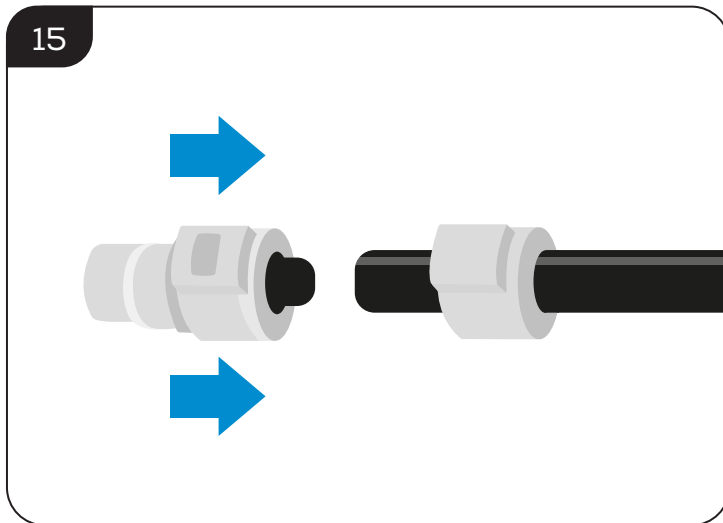
SECTION 1: INSTALLATION (Cont'd)



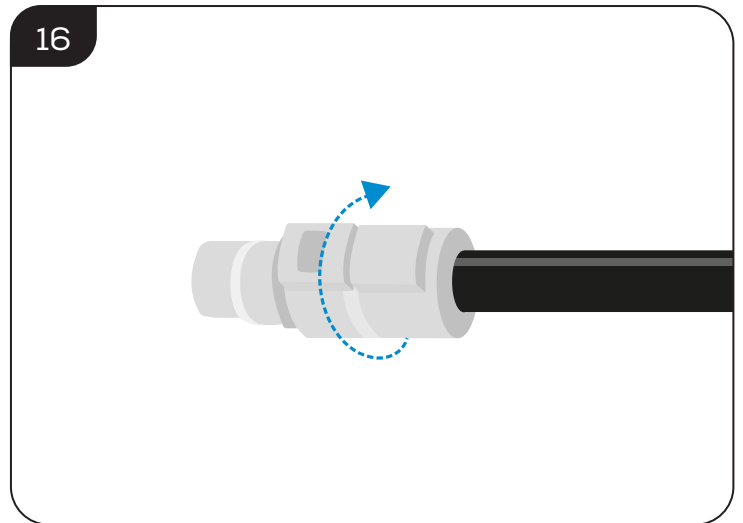
Secure the Input Assembly to an intercell connector using a cable tie.



Slide the twist-lock ring onto the free end of the Water Input Assembly.

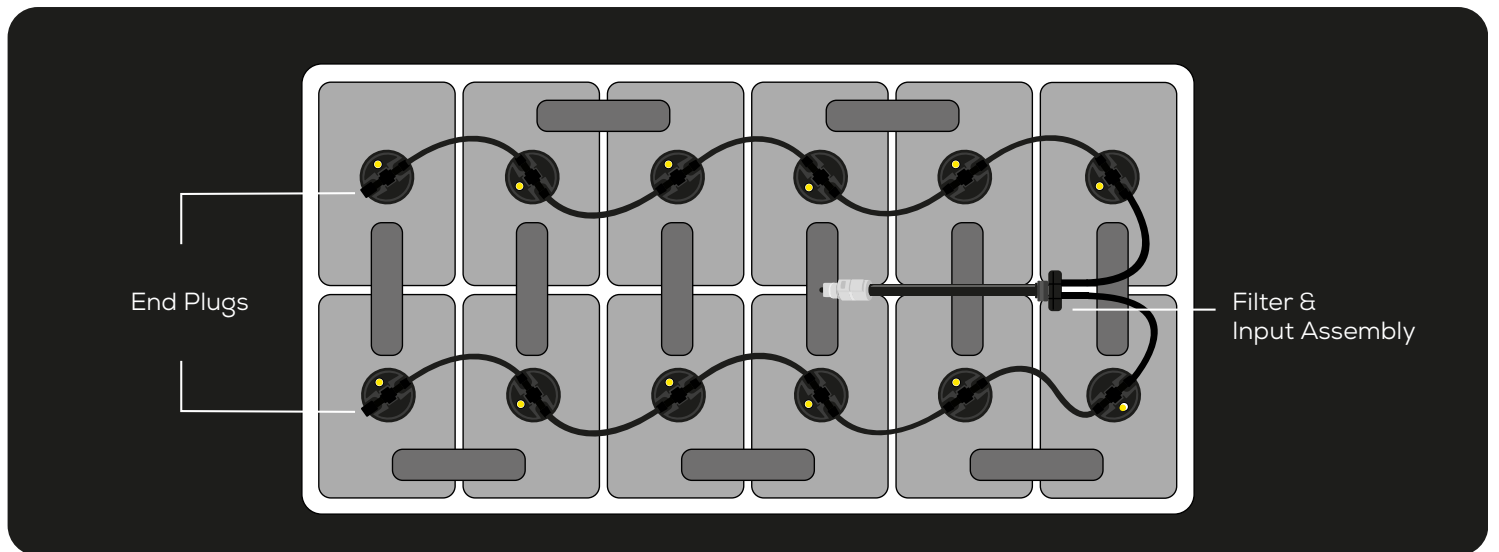


Insert the barb-fitting of male-quick-connect-fitting into the tubing.

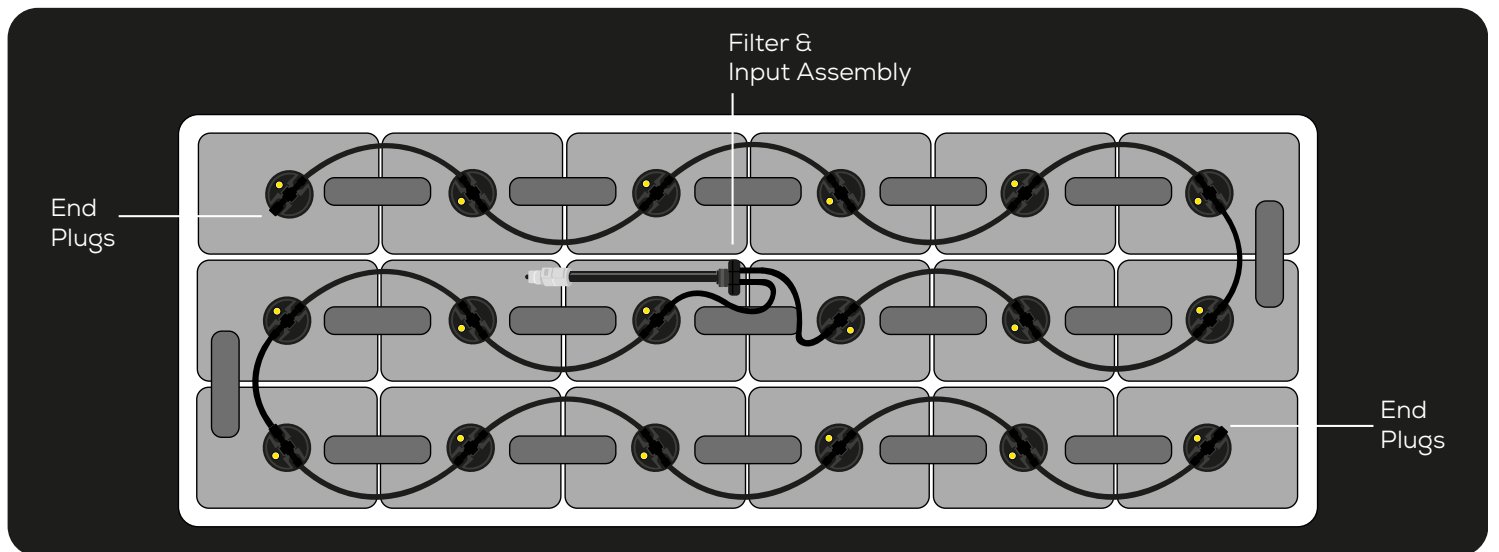


Push twist-lock ring to connect quickly and twist to lock into the tubing.

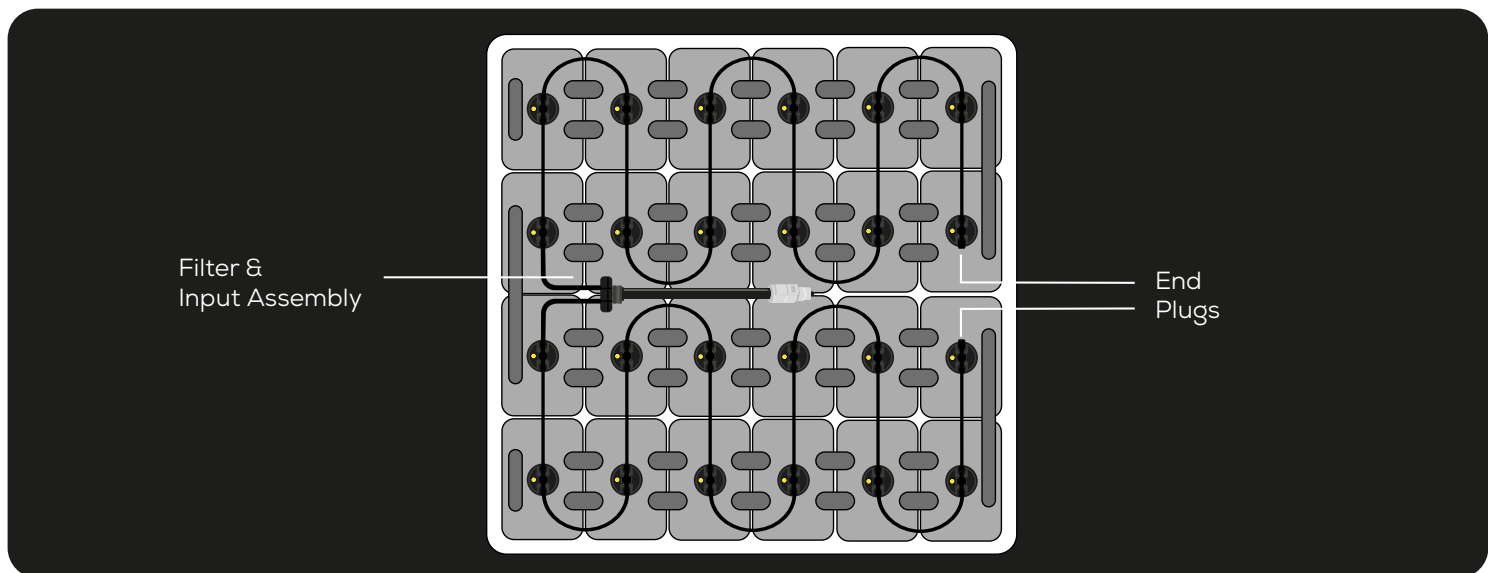
SAMPLE CELLS LAYOUT



Sample 12-Cell Layout

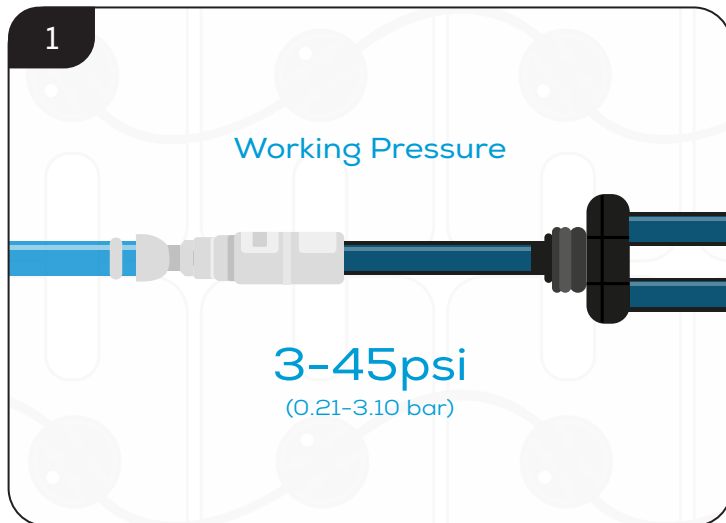


Sample 18-Cell Layout

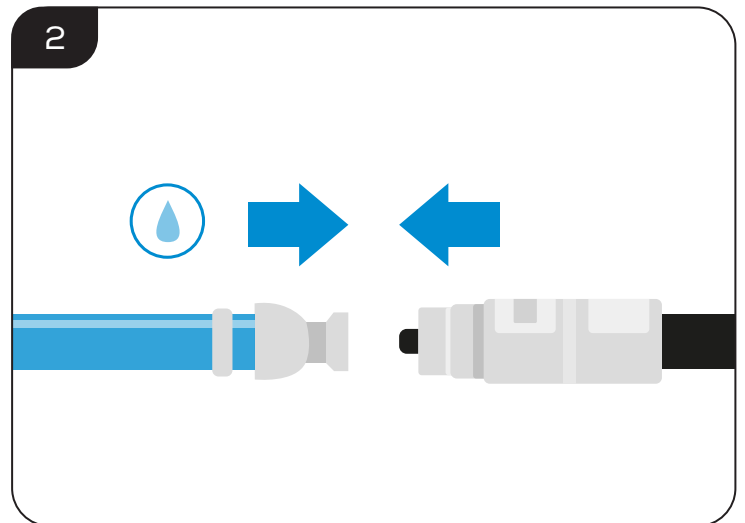


Sample 24-Cell Layout

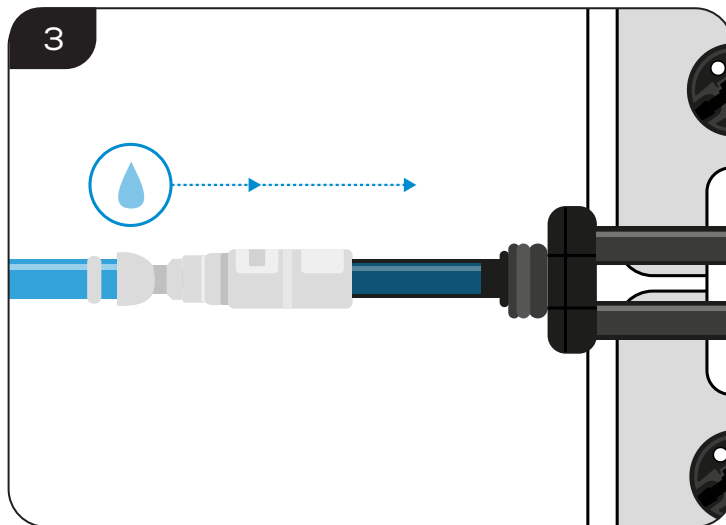
SECTION 2: OPERATION



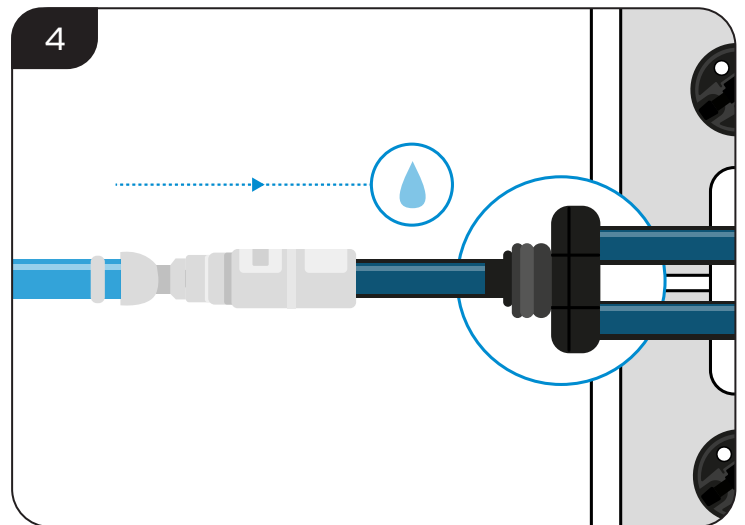
Working pressure is between 3-45psi (0.21-3.10 bar).



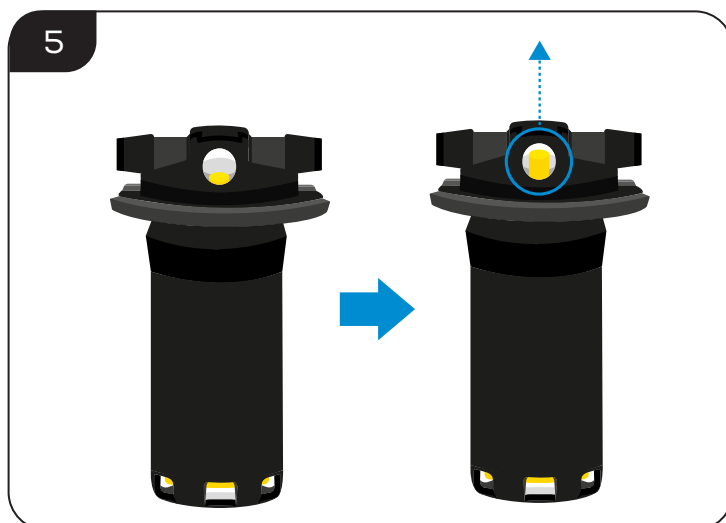
Connect the quick-connect fitting to a suitable water supply.



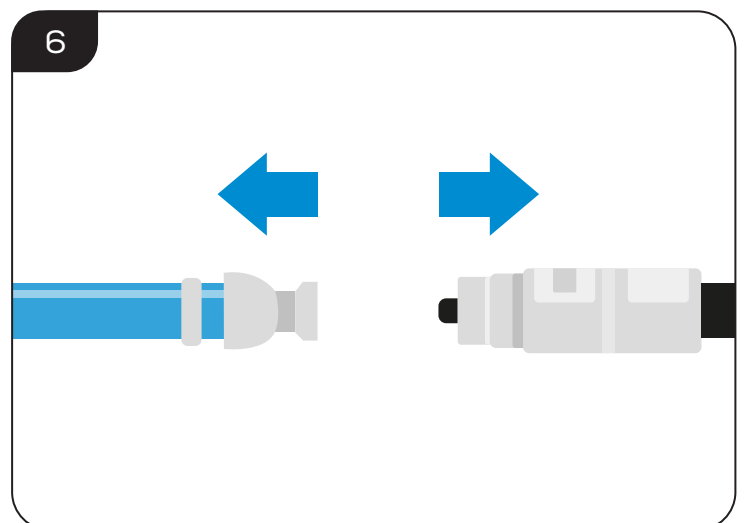
Filling will begin as soon as the connection is made (filling method dependent).



The filter traps impurities before they enter the Stealth valve and your batteries. If the filter is clogged or filling-time becomes longer, it is time to change the filter. (Part ID: FLT-104)

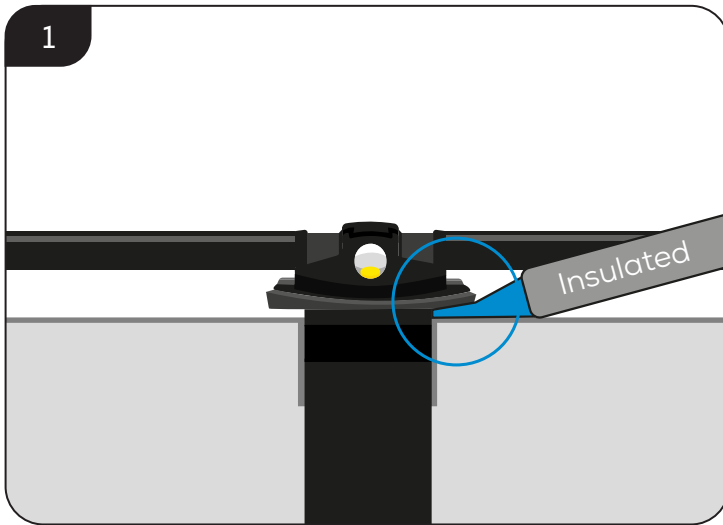


When all the valves' yellow fill level indicators pop up, the water is filled at the right level. The Stealth water supply will then stop.

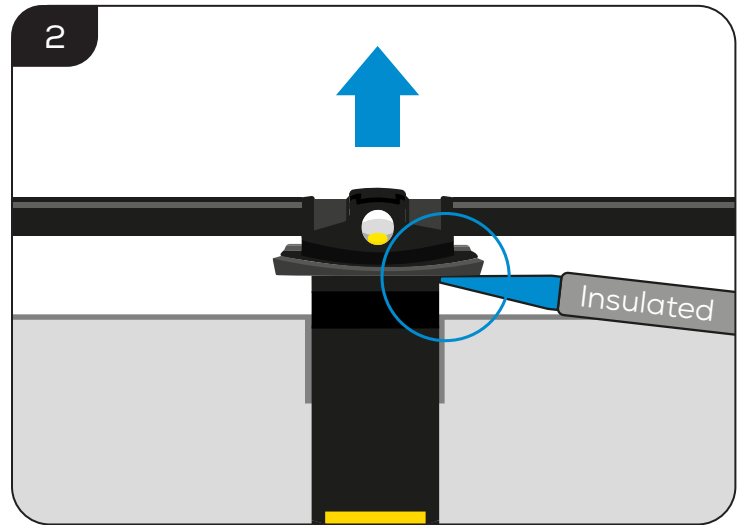


Once the filling is completed, disconnect the quick-connect.

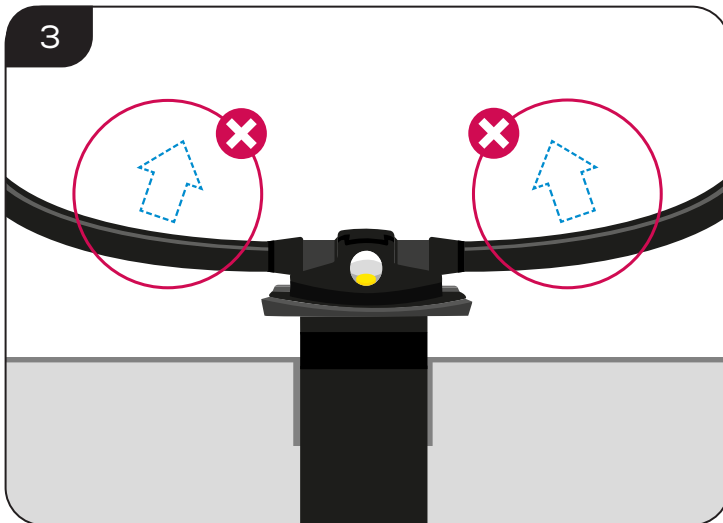
SECTION 3: VALVE REMOVAL



To remove a valve, insert an insulated screwdriver (or similar) under the lip of the valve.



Gently pry the valve out by levering around the lip.



Do not try to remove the valve by pulling on the tubing.



**FOR PRODUCT SPECIFICATIONS, USER GUIDES
AND FURTHER INFORMATION PLEASE VISIT:**

<https://www.phlsci.com/product-lines/stealth-watering-system/>

DOC0441 © 09/2022 Philadelphia Scientific UK Ltd. All Rights Reserved. Philadelphia Scientific and the PS logo are registered trademarks of Philadelphia Scientific. Stealth is a trademarks of Philadelphia Scientific LLC. E&O.E.



WWW.PHLSCI.COM

Philadelphia Scientific LLC
P: +1 (215) 616 0390
E: info@phlsci.com

Philadelphia Scientific EMEA
P: +44 (0) 1204 467777
E: info@ps-europe.net

Philadelphia Scientific ASIA PACIFIC
P: +61 (2) 8004 2447
E: info@phlsci.com.au

