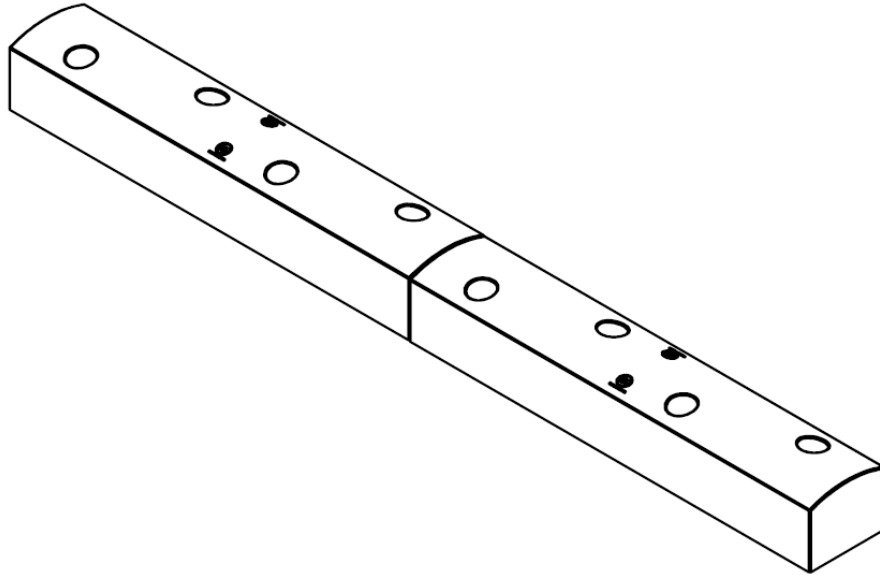
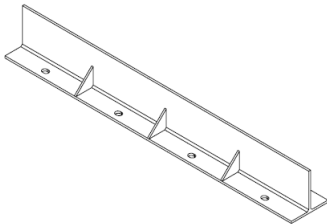


SafeStop *ForkShield*

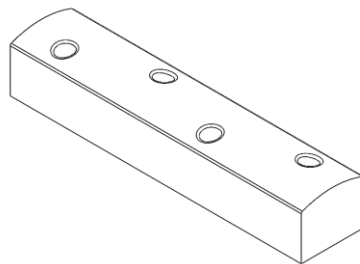
INSTALLATION INSTRUCTIONS



Components



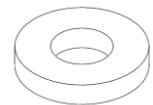
Structural Steel Spine



Synthetic Rubber
Blend Barrier



HW-C-A58
Anchors



HW-C-WSH
Washers

Tools Required



5/8in



15/16in



Questions

McCue Corporation
Danvers, Massachusetts, USA
+1 (800) 800 8503
customercare@mccue.com

McCue UK & Europe
Milton Keynes, United Kingdom
+44 (0)1908 365 511
uksales@mccue.com

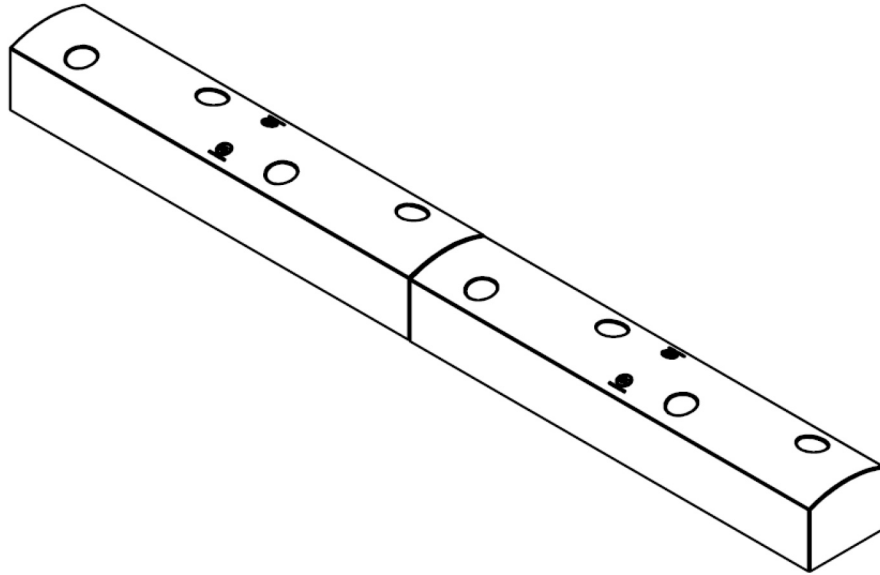
McCue Asia
迈客(厦门)有限公司
Xiamen, Fujian, China
+86-592-2200790

mccue.com

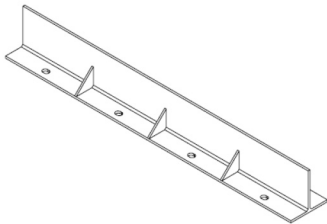


SafeStop *ForkShield*

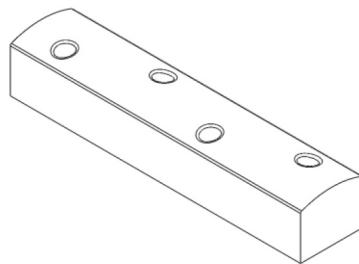
INSTALLATION INSTRUCTIONS



Components



Structural Steel Spine



Synthetic Rubber
Blend Barrier



HW-C-A58
Anchors

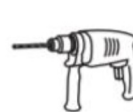


HW-C-WSH
Washers

Tools Required



5/8in



15/16in



Questions

McCue Corporation
Danvers, Massachusetts, USA
+1 (800) 800 8503
customercare@mccue.com

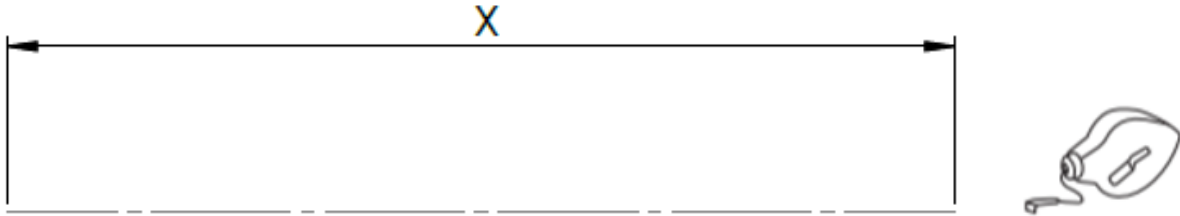
McCue UK & Europe
Milton Keynes, United Kingdom
+44 (0)1908 365 511
uksales@mccue.com

McCue Asia
迈客(厦门)有限公司
Xiamen, Fujian, China
+86-592-2200790

mccue.com

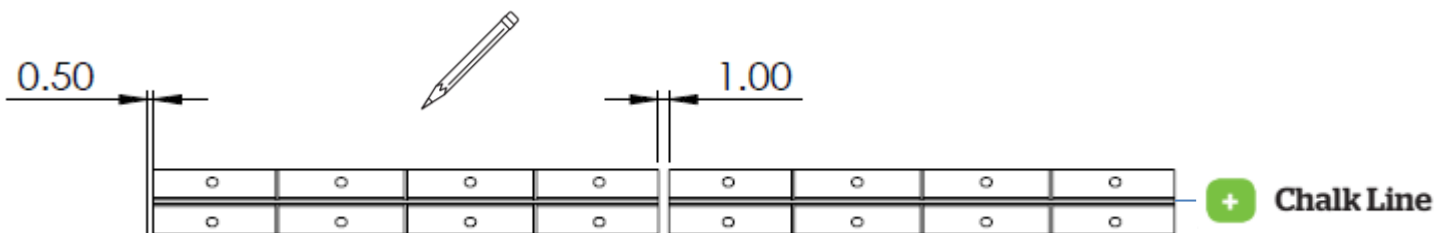


1 Snap a Chalk Line the length of the Barrier Run



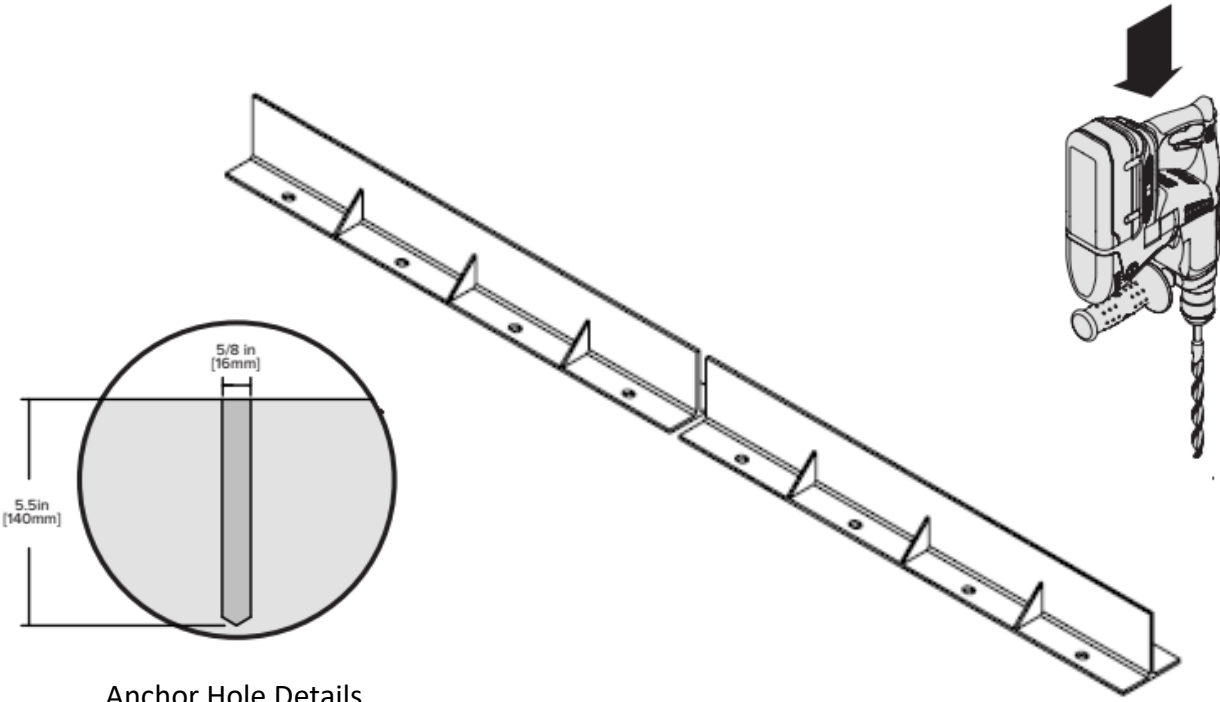
The Run Length must be divisible by 48"

2 Mark 0.5" from the starting point and place the steel spine on that mark with the center of the steel spine on the chalk line. Lay out the spine matching the figure below and mark the hole pattern on the floor.



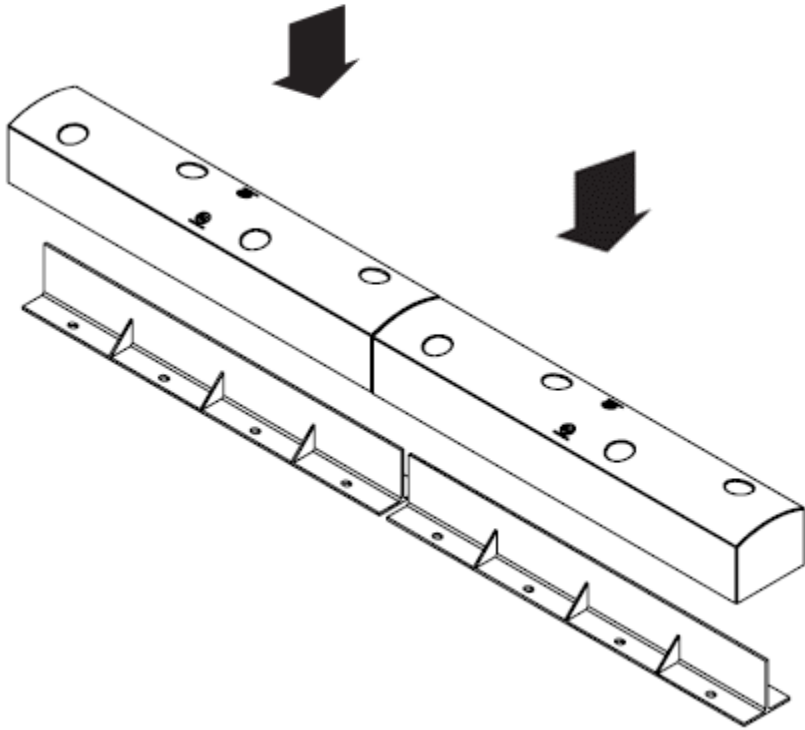
3

Drill 4 - 5/8" Diameter holes per barrier using the Steel Spine as a template.



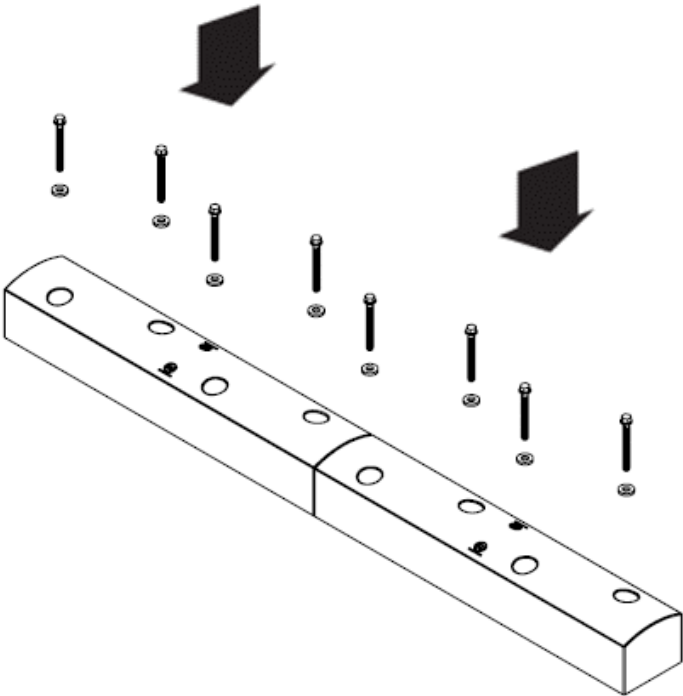
4

Place the Rubber Barrier over the Steel Spine, fitting the steel spine into the channel of the rubber. Line up the drilled anchor holes, Steel Spine and Rubber Barrier.



5

Place the anchor through the washer and into the drilled holes.



6

Torque anchors with an Impact Gun, Extension and 15/16" Socket. Repeat steps 2 through 6 until the Barrier length is completed.

