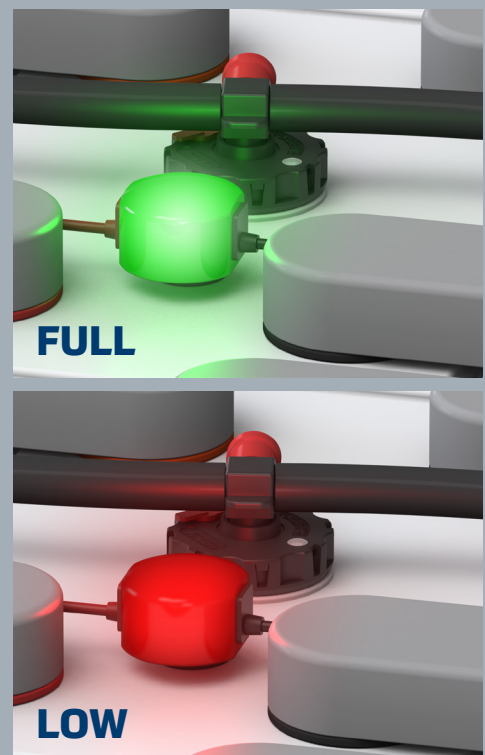


Eagle Eye Essential+ (Drill-In) Electrolyte Level Sensors



Eagle Eye™

Eagle Eye accurately monitors and displays the status of cell electrolyte levels with a solid green or blinking red light. Patented Capacitive Sensing Technology, found in many electronics such as touch screen monitors and cell phones, allows Eagle Eye to measure electrolyte levels, without running current through the sensing probe. This eliminates any potential corrosion between the plates and the probe.



- Bright light easily seen from a distance
- Ring terminals are epoxy-sealed to wires to prevent corrosion
- Sealed lens protects the LED and electronics from impacts and acid migration
- Reverse polarity protected
- 100% functionally tested

SPECIFICATIONS

- Temperature range: 0°- 150° F
- Voltage: 12 VDC
- Current draw: <20mA
- Red power wire length: 26"
- Black power wire length: 6"
- LED wire length: 77" (if remote)



LOCAL

REMOTE

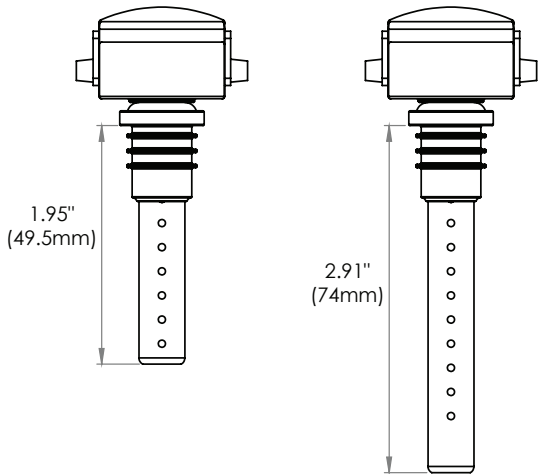
EAGLE EYE - DRILL IN - LOCAL	
Probe Length	Part Number
1.93"/49mm	BA-491
3.03"/77mm	BA-492

EAGLE EYE - DRILL IN - REMOTE	
Probe Length	Part Number
1.93"/49mm	BA-494
3.03"/77mm	BA-490



STANDARD LENGTH

EXTENDED LENGTH



Distributed by:



960 74th Street SW
Byron Center, MI 49315
616.583.1700
flow-rite.com



MM-023 0321