



# Manual

DUAL FSESC 6.6 with firmware version VESC\_default\_no\_hw\_limits, compatible with Benjamin VESC TOOL, can be used for models, multi-axis aircraft, electric vehicles, electric skateboards, golf carts, smart cars, robots, and simple industrial position control.

## Spec

- Hardware: V 6.6
- Firmware: VESC\_default\_no\_hw\_limits
- Voltage: 8V - 60V (Safe for 3S to 12S LiPo) for the dual ESC
- Voltage spikes may not exceed 60V
- Current: Continuous 100A single, total 200A , Instantaneous current 400A per single, total 800A for system instantaneous current.
- 5V 1.5A output for external electronics for single
- 3.3V 1A output for external electronics for single
- Modes: DC, BLDC, FOC (sinusoidal)
- Supported sensors: ABI, HALL, AS5047
- include Aluminum Heatsink

## The package contains:

- 1\*Dual FSESC6.6+Heatsink
- 2\*VESC Sensor Wires
- 1\*Micro USB
- 1\*PPM cable soldered in Dual FSESC6.6
- 1\*Manual



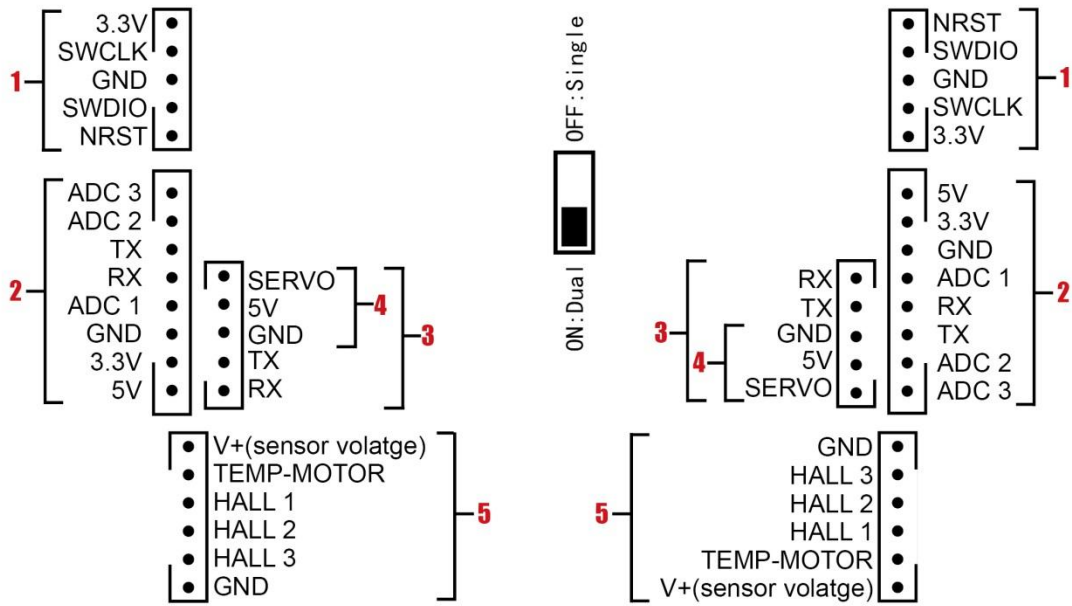
<https://flipsky.net/>



<http://www.flipskytech.com/>



## Wiring diagram



1.SWD 2.COMM 3.RECEIVER 4.PPM 5.SENSE

