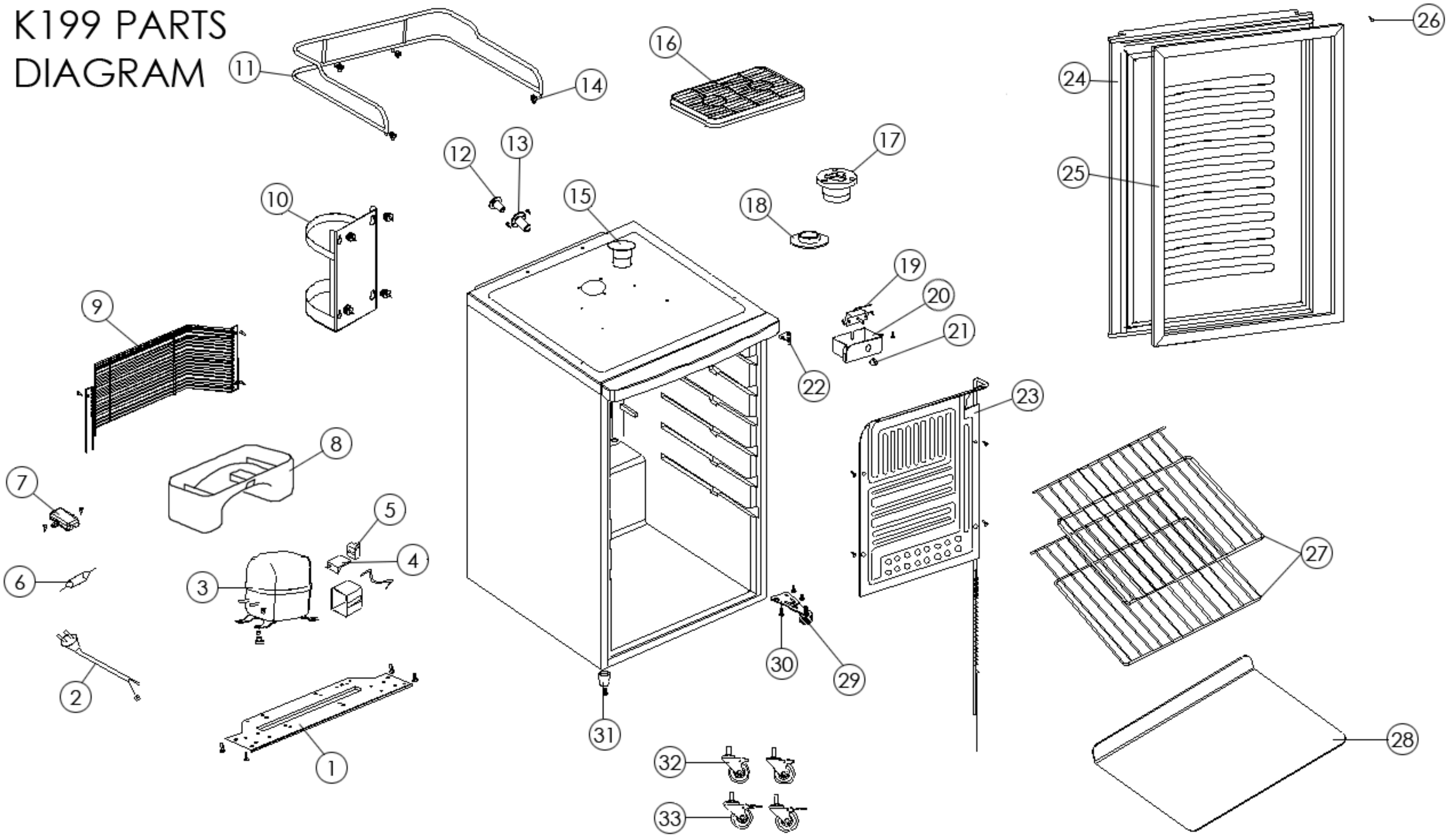


K199 PARTS DIAGRAM



1 COMPRESSOR MOUNTING PANEL
 2 POWER CABLE
 3 COMPRESSOR
 4 OVERLOAD PROTECTOR
 5 STARTER RELAY
 6 DRY FILTER
 7 JUNCTION BOX
 8 EVAPORATOR TRAY
 9 COMPRESSOR CHAMBER COVER
 10 EXTERNAL CO2 TANK MOUNT
 11 GUARD RAIL
 12 KNOCKOUT PLUG
 13 KNOCKOUT SHEATH
 14 GUARD RAIL INSERT
 15 TOWER HOLE PLUG
 16 DRIP TRAY
 17 TOWER BUCKLE

MDK-500714080005
 MDK-502401000001
 MDK-501400680008
 MDK-OVERLOAD1
 MDK-STARTER1
 MDK-501602000045
 MDK-501105040145
 MDK-501108740004
 MDK-502901080002
 MDK-500714080004
 MDK-501214080033
 MDK-502799900001
 MDK-502701000003
 MDK-501123456789
 MDK-HOLEPLUG
 MDK-501114080039
 MDK-501114080045

18 TOWER BUCKLE NUT
 19 THERMOSTAT
 20 TEMPERATURE CONTROL BOX
 21 TEMPERATURE CONTROL KNOB
 22 TOP HINGE ASSEMBLY
 23 EVAPORATOR
 24 BLACK DOOR
 STAINLESS DOOR
 25 DOOR GASKET
 26 HINGE SHAFT SLEEVE
 27 WIRE SHELVES
 28 FLOOR PLATE
 29 ADJUSTABLE FOOT
 30 BOTTOM HINGE ASSEMBLY
 31 STATIONARY FOOT
 32 NON-LOCKING CASTERS
 33 LOCKING CASTERS

MDK-501114080046
 MDK-502407080002
 MDK-501106840025
 MDK-501105040016
 MDK-502905080003
 MDK-501714080009
 MDK-50370018000B
 MDK-50370018000E
 MDK-50111408000C
 MDK-501107840021
 MDK-502901080003
 MDK-501214080001
 MDK-501133060015
 MDK-502905030007
 MDK-501105040022
 MDK-502999900059
 MDK-502999900006