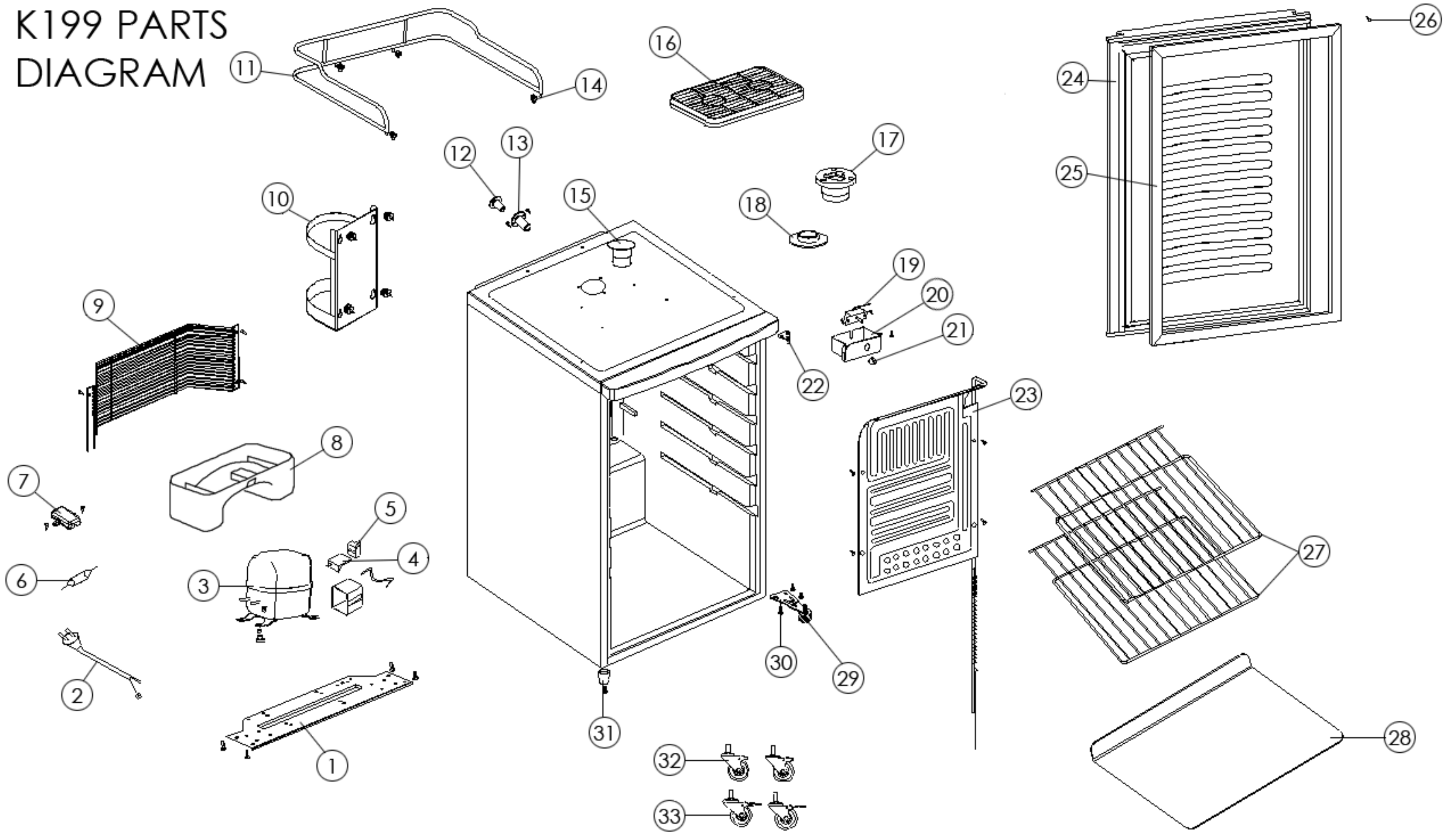


# K199 PARTS DIAGRAM



1 COMPRESSOR MOUNTING PANEL  
 2 POWER CABLE  
 3 COMPRESSOR  
 4 OVERLOAD PROTECTOR  
 5 STARTER RELAY  
 6 DRY FILTER  
 7 JUNCTION BOX  
 8 EVAPORATOR TRAY  
 9 COMPRESSOR CHAMBER COVER  
 10 EXTERNAL CO2 TANK MOUNT  
 11 GUARD RAIL  
 12 KNOCKOUT PLUG  
 13 KNOCKOUT SHEATH  
 14 GUARD RAIL INSERT  
 15 TOWER HOLE PLUG  
 16 DRIP TRAY  
 17 TOWER BUCKLE

MDK-500714080005  
 MDK-502401000001  
 MDK-501400680008  
 MDK-OVERLOAD1  
 MDK-STARTER1  
 MDK-501602000045  
 MDK-501105040145  
 MDK-501108740004  
 MDK-502901080002  
 MDK-500714080004  
 MDK-501214080033  
 MDK-502799900001  
 MDK-502701000003  
 MDK-501123456789  
 MDK-HOLEPLUG  
 MDK-501114080039  
 MDK-501114080045

18 TOWER BUCKLE NUT  
 19 THERMOSTAT  
 20 TEMPERATURE CONTROL BOX  
 21 TEMPERATURE CONTROL KNOB  
 22 TOP HINGE ASSEMBLY  
 23 EVAPORATOR  
 24 BLACK DOOR  
 STAINLESS DOOR  
 25 DOOR GASKET  
 26 HINGE SHAFT SLEEVE  
 27 WIRE SHELVES  
 28 FLOOR PLATE  
 29 ADJUSTABLE FOOT  
 30 BOTTOM HINGE ASSEMBLY  
 31 STATIONARY FOOT  
 32 NON-LOCKING CASTERS  
 33 LOCKING CASTERS

MDK-501114080046  
 MDK-502407080002  
 MDK-501106840025  
 MDK-501105040016  
 MDK-502905080003  
 MDK-501714080009  
 MDK-50370018000B  
 MDK-50370018000E  
 MDK-50111408000C  
 MDK-501107840021  
 MDK-502901080003  
 MDK-501214080001  
 MDK-501133060015  
 MDK-502905030007  
 MDK-501105040022  
 MDK-502999900059  
 MDK-502999900006