



Be with you from dusk to dawn

### CARE & MAINTENANCE

01.Before you attempt to clean the fixture, disconnect the power by turning off the breaker or removing the fuse from the box.

02.To clean the fixture, use a dry, or slightly damp, clean cloth.

03.DO NOT use any cleaners with chemicals, solvents or harsh abrasives.

### TROUBLESHOOTING

#### If all lights are not working properly:

- 01. Check if the power is turned on.
- 02.Check to make sure the input voltage is 12-24V.
- 03.Check to make sure that the transformer is properly connected.

#### If some lights are not working properly:

- 01.Check the wiring, make sure that all connections between the lights and the main power cord are lightened properly.
- 02.Check the connectors, if any, make sure that connectors work correctly. If the lights still do not work after several adjustments, please contact our customer service as soon as possible.



### AFTER-SALES SERVICE CARD

If you need any help or have any questions, please contact us.

Order Number: \_\_\_\_\_ Light Model: \_\_\_\_\_

Name: \_\_\_\_\_ Email: \_\_\_\_\_

Problem: \_\_\_\_\_ Date Of Manufacture: \_\_\_\_\_

#### Warranty policy

Warranty without return (Used)

#### THREE-YEAR WARRANTY CHARGE DETAILS

Size	Order Time		
	<1Y	1-2Y	2-3Y
<16*14*8 inch	Free exchange	\$10+SP*30%	\$10+SP*50%
>16*14*8 inch		\$20+SP*30%	\$20+SP*50%

Remarks: 1.M:month; Y:year; 2.SP:the price you ordered the light; 3.Size:Product packaging size.  
NOTE: The invoice and some photos or videos that can illustrate the light error is needed when ask for warranty things.

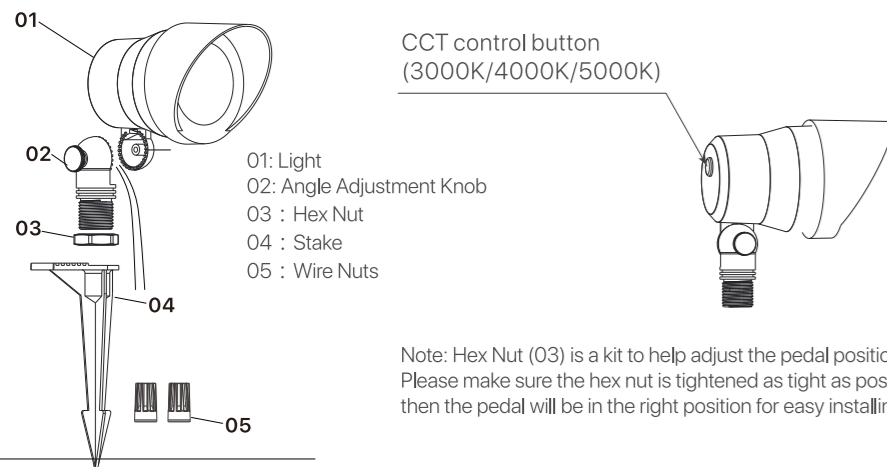
#### Return policy

- Item must be in original packaging.
  - Item must not have been installed or used.
  - Packaging material (L.e. wrapping, clam shes) must not have been destroyed or broken.
- Note: Buyer fails damage or force majeure damage are not covered by the warranty.  
If the product has quality problems, please contact Glitgate: service@glitgate.com



## LOW VOLTAGE LED LANDSCAPE SPOTLIGHT

# PRODUCT DIAGRAM



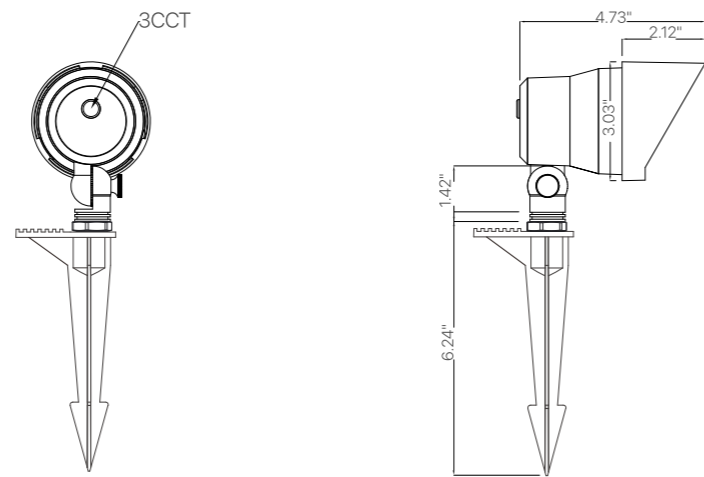
- 01: Light
- 02: Angle Adjustment Knob
- 03 : Hex Nut
- 04 : Stake
- 05 : Wire Nuts

Note: Hex Nut (03) is a kit to help adjust the pedal position. Please make sure the hex nut is tightened as tight as possible, then the pedal will be in the right position for easy installing.

## MODEL LIST

Power	5W
Input Voltage(60Hz)	AC/DC 12-24V
Lumens	250lm
Correlated Color Temperature	3000K/4000K/5000K
Color Rendering Index	≥90
Waterproof Rate	IP65
Color	ORB
Cable Length	3.93 feet
Working Temperature	-15°C-50°C
Lifetime	> 50,000 Hours
Certificate	ETL, FCC
Warranty	3 Years

## DIMENSION



## ATTENTION

PLEASE READ AND UNDERSTAND THE ENTIRE MANUAL BEFORE OPERATING OR INSTALLING THIS PRODUCT.

1. ONLY use this fixture on 12-24V AC/DC circuits.
2. The maximum load (combined total wattage of all fixtures) should NOT exceed 80% of the total power rating of the transformer.
3. The wire is intended for shallow burial (less than 6 inches deep).
4. Install ALL fixtures at least 10ft away from pools, spas, or fountains.
5. Keep the fixtures away from flammable or combustible materials.
6. DO NOT touch the lens, guard, or fixture housing while in use.
7. DO NOT operate or install a fixture with missing or damaged parts.
8. DO NOT touch the LED at any time as this may damage the fixture.
9. DO NOT submerge this fixture in water as this may damage it.
10. Vertically mount the transformer at least 12 inches above the ground.
11. Keep this fixture out of the reach of children under 3 years old.
12. DO NOT connect this fixture to electrical systems that DO NOT have grounding.



## INSTALLATION INSTRUCTIONS

### TRANSFORMER INSTALLATION

Step 1  
Prepare a 120V to 12-24V transformer (not included), a main power cord (not included), connectors (optional, not included) and the fixtures.

**NOTE: The total power of the light fixtures should NOT exceed 80% of the total rating of the transformer. It is recommended to use 12AWG, 14AWG, 16AWG or 18AWG wire as the main power cord.**

Step 2  
Turn the power off, and connect the main power cord to the transformer.

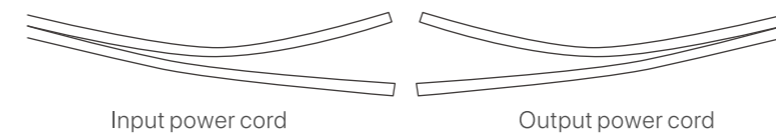
Step 3  
Move the main power cord to the proper position to make it easy to install.

### FIXTURE INSTALLATION

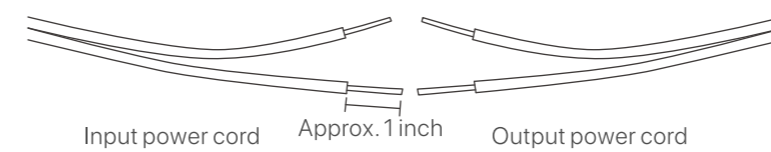
Step 1  
Lay out the fixtures at the desired locations. **Note: Turn the power off before installing.**

Step 2  
Cut the main power cord into two parts and separate the main power cord into two wires from the ends until there's enough length to connect a fixture.

**NOTE: It is recommended that 12AWG, 14AWG, 16AWG or 18AWG is used as the main power cord.**

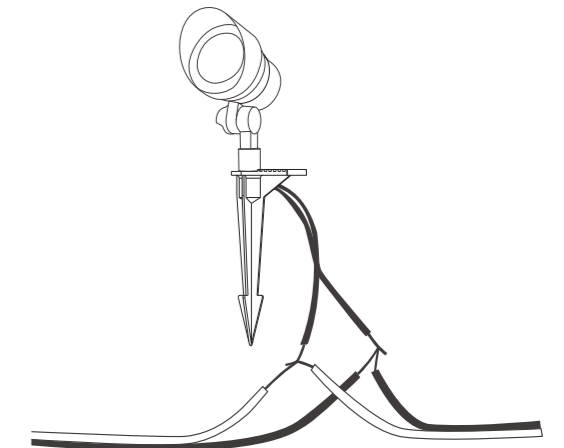


Step 3  
Strip approximately 1 inch of insulation off the ends.



Step 4  
Separate the fixture cord into two wires and strip them if necessary. Twist the ends of the wires in order to make it easier to connect to the main power cord.

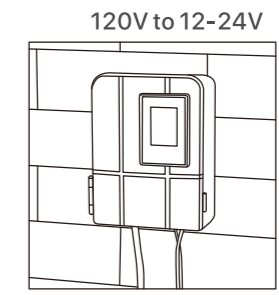
## INSTALLATION INSTRUCTIONS



Step 5

Connect one input power cord, one output power cord and a fixture wire together. Then connect the other three wires together. Fasten the wires tightly together and make sure that there isn't a loose wire. Continue connecting the rest of the fixtures and repeat Steps 2 to 5 until all fixtures are connected.

**NOTE: If using connectors (not included) to install, attach the lamp wires to the connectors and attach the connector to the main power cord. There is no need to strip the main power cord.**



Step 6  
Use a shovel to loosen the ground or soften it with water, then place the fixture into the ground and the wire inside the dug ditch and cover with the surrounding dirt.  
**NOTE: DO NOT use a hammer. DO NOT attempt to use your weight to push the fixture into the ground. If your layout requires shorter distances between fixtures, roll up and bury the excess wire.**

Note: Transformer and main cord are not included.

