

LED POST TOP LANTERN

30W / 50W / 60W / 80W / 100W / 120W / Power Selectable



Specifications

Wattage	30W / 50W / 60W / 80W / 100W / 120W / Power Selectable
LED Chip	SMD 3030, Lumileds or Other LED Chips
Driver Brand	SOSEN/ZHIHE or Other Brand
CCT	3000K / 4000K / 5000K / 5700K optional , 3CCT Selectable
Light Output	3300lm / 5500lm / 6500lm / 8800lm / 10,800lm / 12,000lm
Efficacy	100-110 LM/W (Can customize higher LM/W if needed)
AC Input Voltage	100~277V / 120-347V / 277-480V
Light Distribution	TypeIII ,TypeIV and TypeV (Easy to exchange Light distribution)
Exclusive Feature(1)	Photocell Sensor / Motion Sensor Available
Exclusive Feature(2)	Frost Glass / Clear Glass / PC Diffuser/ No Diffuser Available
Exclusive Feature(3)	3CCT/Power Tunable Optional
Ambient Temperature	-40°C to +45°C(-40°F to +113°F)
Total Harmonic Distortion (THD)	< 20%
Lifetime	50,000H
IP Rating	IP65
Warranty	5 years

Features



CCT Select



Power Select



Motion sensor

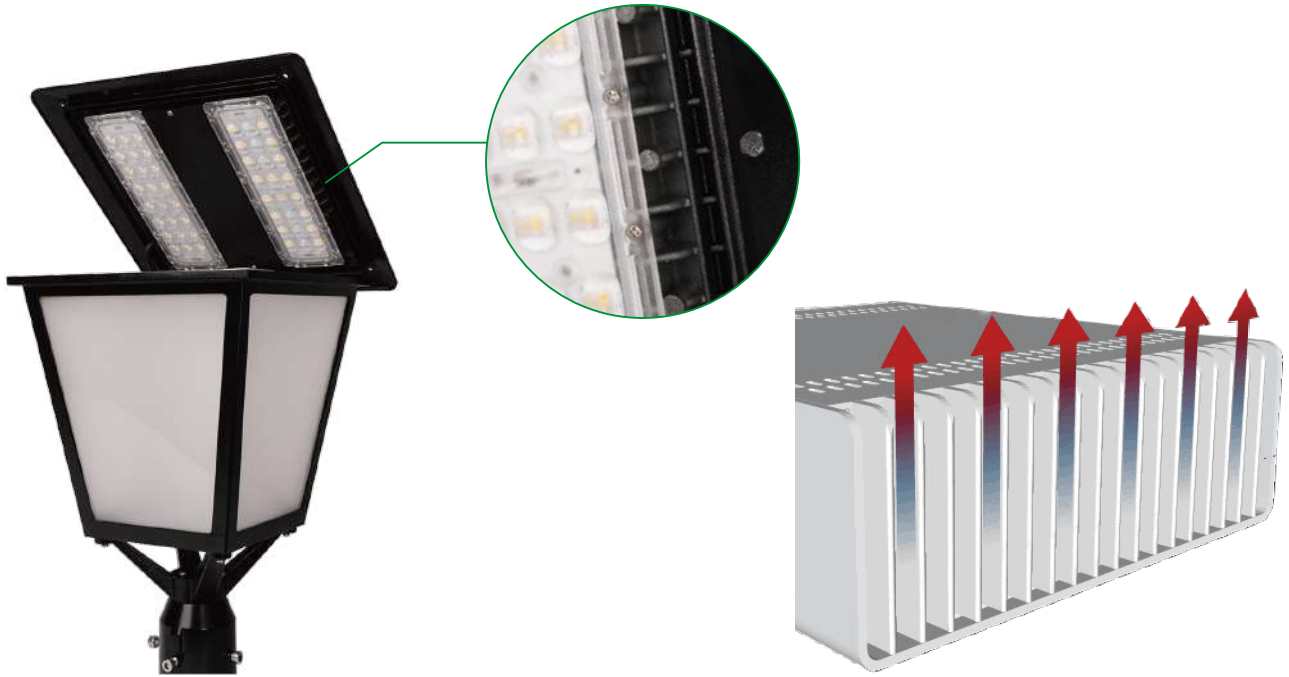


Photocell sensor

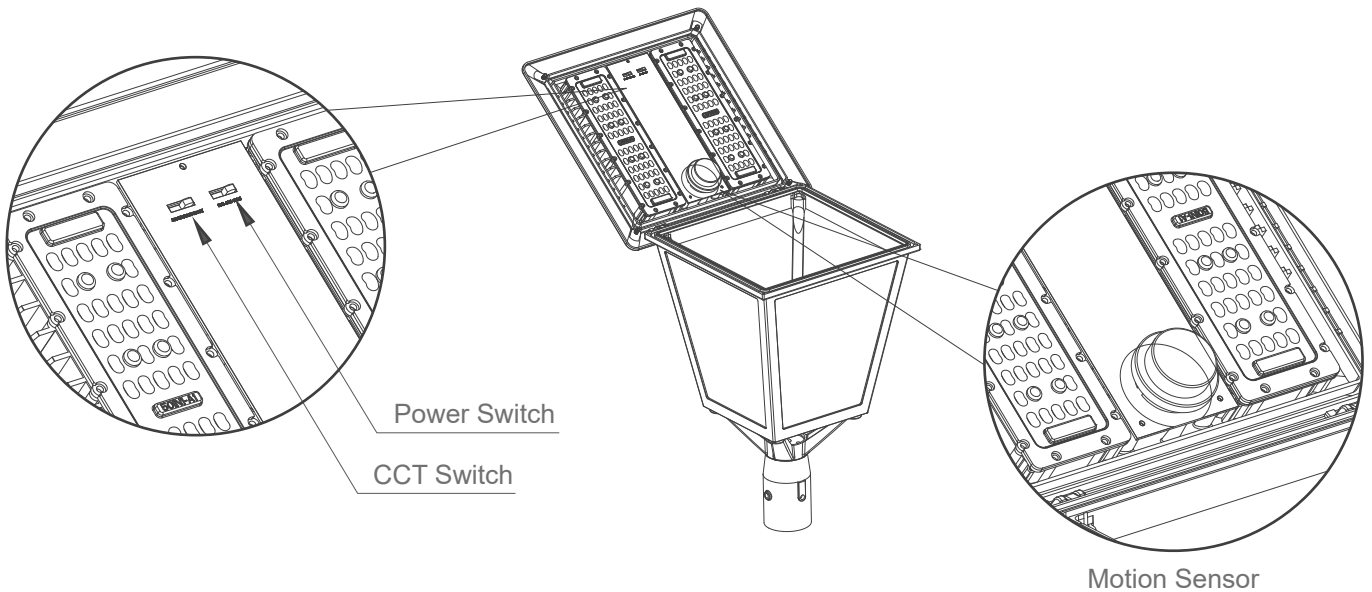


ADC12 Die casting

ADC 12 aluminum die casting, fine heat dissipation



CCT Select & Power Select



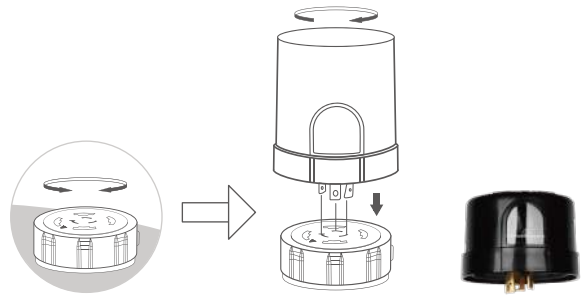
Photocell Sensor

It is a Standard Three-Prong Twist Lock Photocell which is installed on the top of the Fixtures.

Once the photocell is installed, the area light will automatically turn on and off, dusk to dawn.

Daylight (ambient light threshold) adjustable:

10lux / 30lux / 50lux / 100lux / 150lux / 200lux / 300lux / Disable



Motion Sensor and Daylight Sensor all in one (Daylight sensor function can be closed)

This motion sensor allows extra energy savings without compromising convenience.

With its signature 3-step dimming function, it is perfect for use in areas that require a light change notice before optionally switching off the light.

Daylight(on/off)

Stand-by period adjustable: 1min / 30min / 1h / infinity 0% / 20% / 30% / 50%

Holding Time adjustable: 5s / 1min / 5min / 10min / 15min / 20min / 30min / 1h

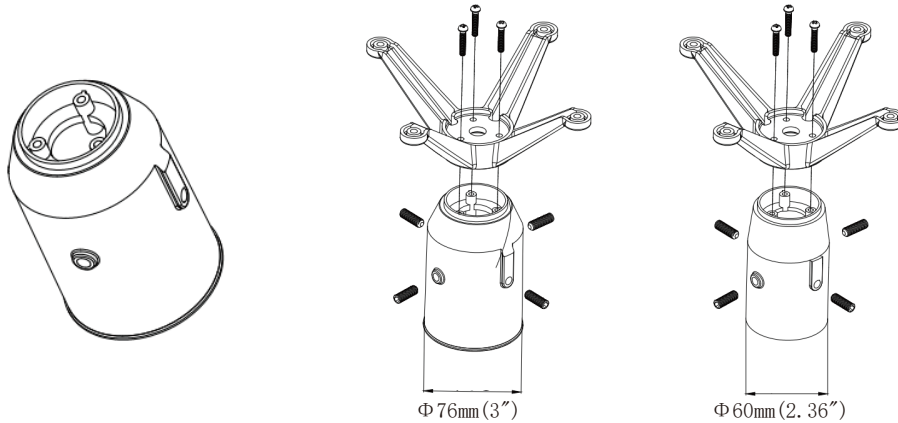


Motion Sensor



Remote Controller

Offering two mount base: 2 3/8 inch and 3 inch



Φ 76mm (3")

Φ 60mm (2.36")

Different Kinds of Diffuser Available (Frost Glass Diffuser for Normal)



Frost Glass
(Optional)



Clear Glass
(Optional)

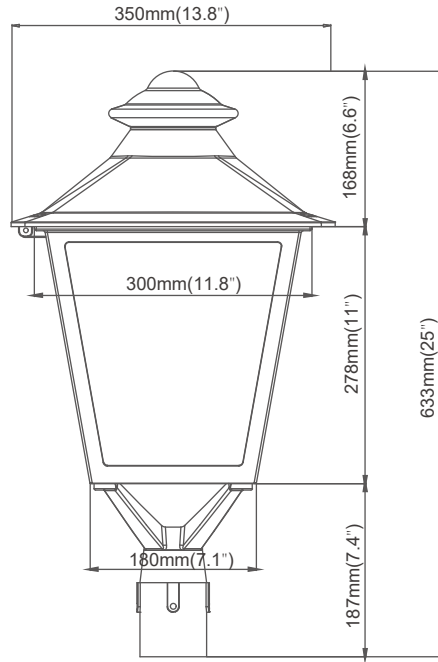


No Diffuser
(Optional)



PC Diffuser
(Optional)

Dimension



Applications



Wall Mount



Yard



Community



Hotel

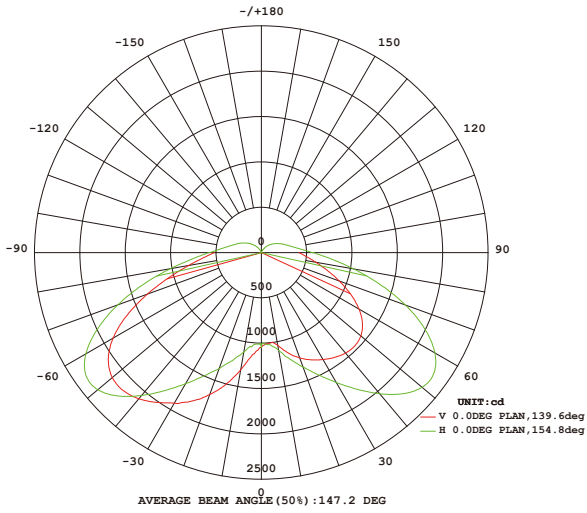


Roadway 1

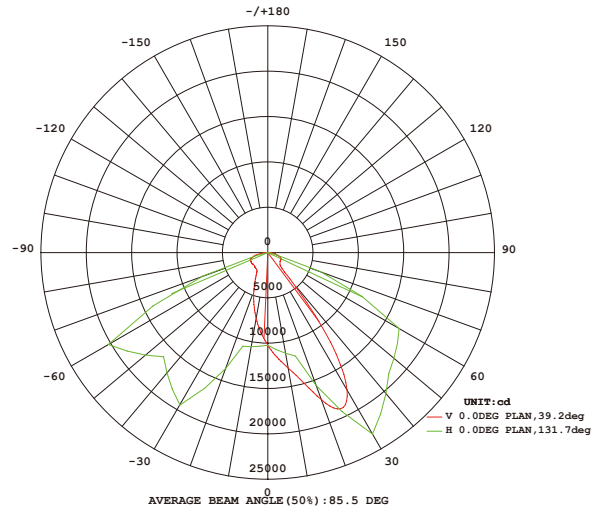


Roadway 2

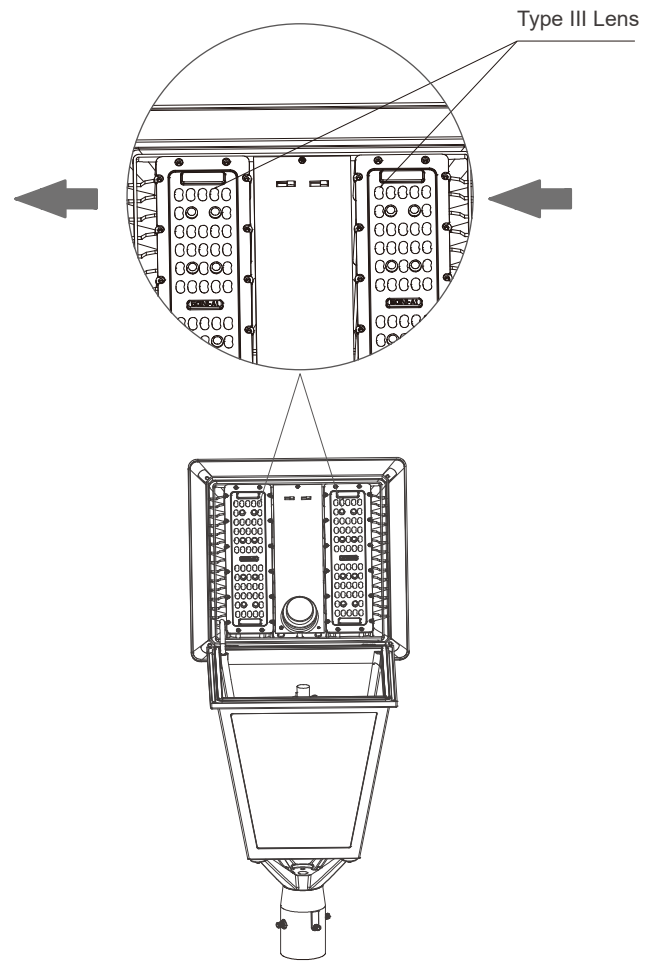
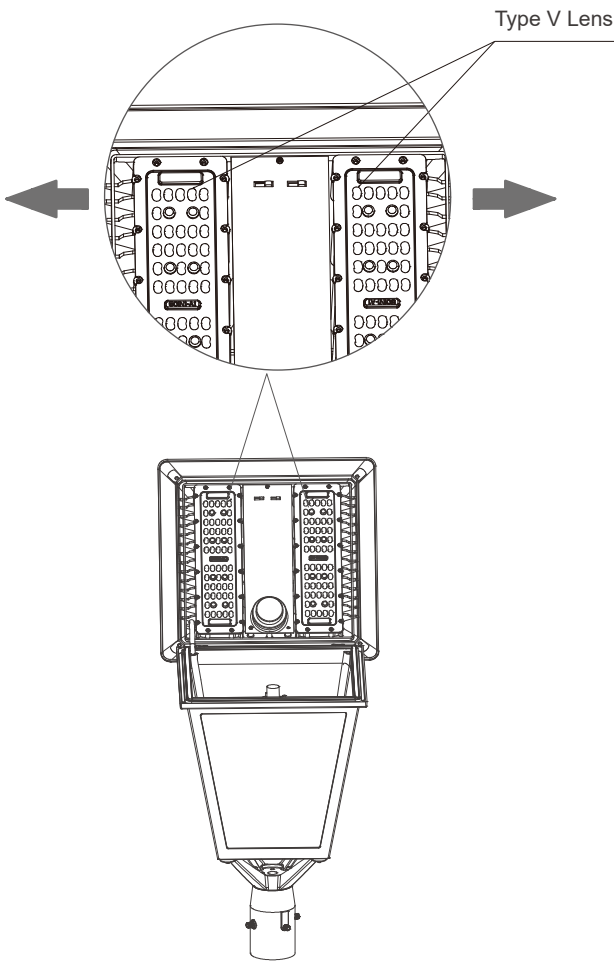
Light Distribution



Type V
(Normal)



Type III
(Optional)

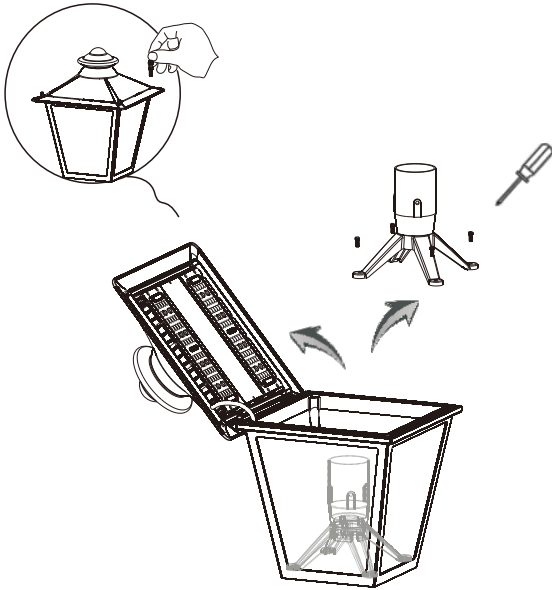


Lens can change direction easily to convert Type V to Type III
 Helpful for inventory according to different project request

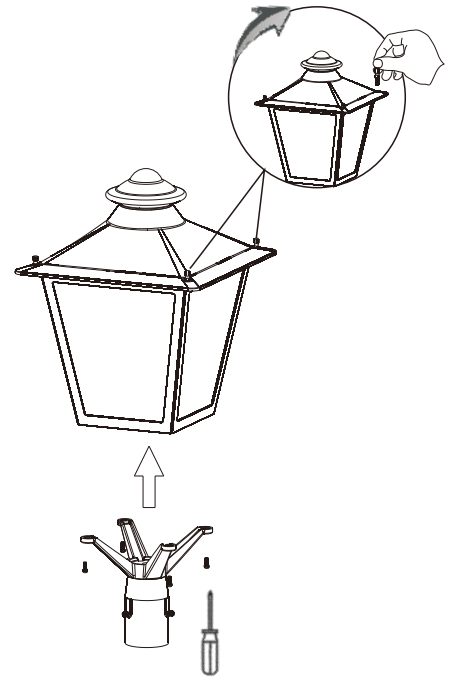
PAR Distribution

Note: If mount base is pre-installed, Please skip step 1 and 2, just follow step 3 and 4

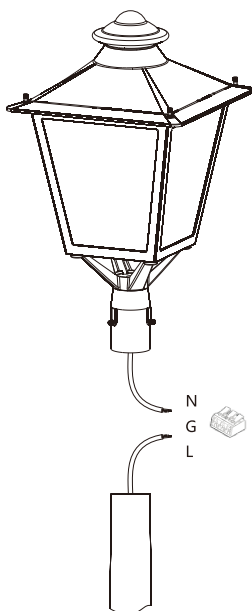
1) Remove four screws from top roof, open it and get the mount base out.



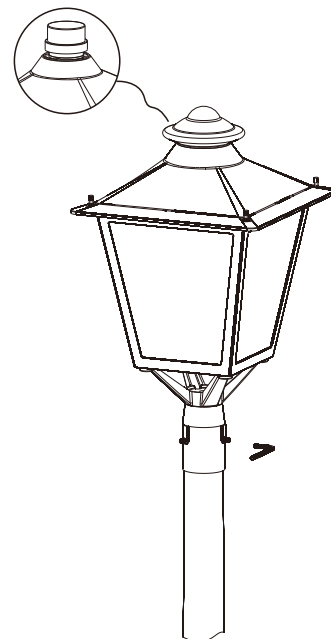
2) Get the cord through the middle hole of mount base, then attach the mount base to bottom of the fixture, align the screw holes and fix it. Close the top roof and tighten four screws



3) Connect the ACL and the ACN from the lighting fixture to the conduit with the AC power supply cords. Follow the wiring diagram provided as below.



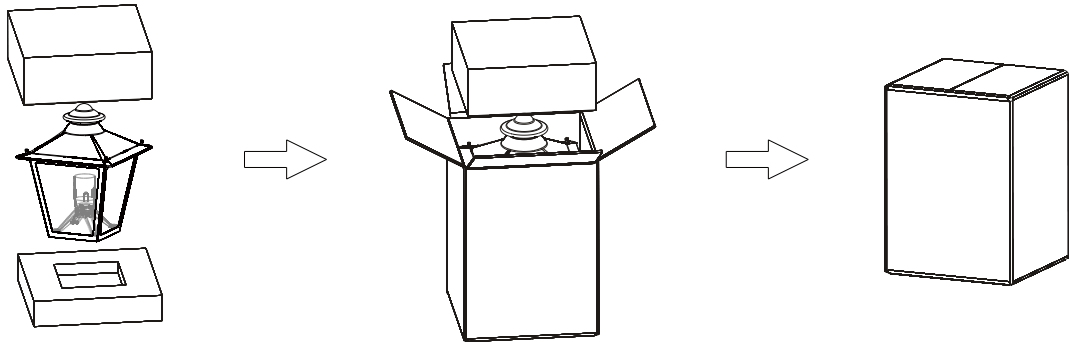
4) Slip the fixture over the pole and tighten three screws with the mount bases below.



Packaging information

Wattage	Product Dimension(mm/in)	Carton Box 1 Dimension	Carton Box 2 Dimension	N.W (Kg/lb)	G.W (Kg/lb)	One Carton
30W	350 x 350 x 633mm 13.78 x 13.78 x 24.92 in	400 x 400 x 505 mm 15.75 x 15.75 x 19.88 in	400 x 400 x 660 mm 15.75 x 15.75 x 25.98 in	11.0Kg(24.25lb)	12.0Kg(26.46lb)	1 PCS
50W	350 x 350 x 633mm 13.78 x 13.78 x 24.92 in	400 x 400 x 505 mm 15.75 x 15.75 x 19.88 in	400 x 400 x 660 mm 15.75 x 15.75 x 25.98 in	11.3Kg(25.0lb)	12.5Kg(27.56lb)	1 PCS
60W	350 x 350 x 633mm 13.78 x 13.78 x 24.92 in	400 x 400 x 505 mm 15.75 x 15.75 x 19.88 in	400 x 400 x 660 mm 15.75 x 15.75 x 25.98 in	11.3Kg(25.0lb)	12.5Kg(27.56lb)	1 PCS
80W	350 x 350 x 633mm 13.78 x 13.78 x 24.92 in	400 x 400 x 505 mm 15.75 x 15.75 x 19.88 in	400 x 400 x 660 mm 15.75 x 15.75 x 25.98 in	11.3Kg(25.0lb)	12.5Kg(27.56lb)	1 PCS
100W	350 x 350 x 633mm 13.78 x 13.78 x 24.92 in	400 x 400 x 505 mm 15.75 x 15.75 x 19.88 in	400 x 400 x 660 mm 15.75 x 15.75 x 25.98 in	11.5Kg(25.35lb)	13.2Kg(29.10lb)	1 PCS
120W	350 x 350 x 633mm 13.78 x 13.78 x 24.92 in	400 x 400 x 505 mm 15.75 x 15.75 x 19.88 in	400 x 400 x 660 mm 15.75 x 15.75 x 25.98 in	11.5Kg(25.35lb)	13.2Kg(29.10lb)	1 PCS

Carton Box 1



Carton Box 2

