

**HYPERLITE**

[www.hi-hyperlite.com](http://www.hi-hyperlite.com)

Use hyperlite LED high bay light,  
enjoy brighter life now

If you need more information about our lights,  
please email us or call us 24h

Email: [info@hi-hyperlite.com](mailto:info@hi-hyperlite.com)

Toll-free number: +1(855) 688 7879

**HYPERLITE**

**LED LIGHTING**

[www.hi-hyperlite.com](http://www.hi-hyperlite.com)

**LEARN MORE**

Instruction manual



Thanks for your purchase!

# LED HIGH BAY LIGHT TALE series

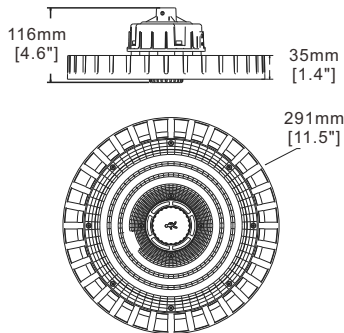


## FEATURES & SPECIFICATIONS

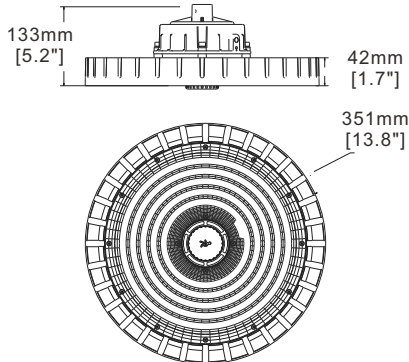
### ◆ APPLICATION

Ideal for large indoor or outdoor space such as heavy warehouses, industrial settings, churches, gyms, swimming pools and shopping malls etc.

Performance Data		CES-LS-THOR-100W	CES-LS-THOR-150W	CES-LS-THOR-200W	CES-LS-THOR-250W
General	Lumens	14000 lm	21000 lm	28000 lm	35000 lm
	Efficacy	140 lm/w			
	CCT	4000K, 5000K			
	Beam Angle	120°			
	CRI	>80			
	LED	Lumileds 3030			
	L70@25°C	>60,000 hours			
Electrical	Power	100W	150W	200W	250W
	Input Voltage	AC100-277V			
	Driver	MOSO			
	Diming	0-10V			
	Power factor	>0.9			
Physical & Listing	Temperature	-40°F-122°F(-40°C to 50°C)			
	Listing	UL for wet location, CE, RoHS, DLC listing.			
	IP Rating	IP 65			
	Warranty	5 Years			



CES-LS-THOR-100W/150W



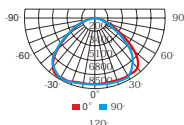
CES-LS-THOR-200W/250W

**PACKAGING INFORMATION**

Model	Wattage	Net Weight	Gross Weight	CTN Size
CES-LS-THOR-100W	100W	6.0 lb	7.6 lb	13.5" * 13.5" * 6.4"
CES-LS-THOR-150W	150W	6.3 lb	8.0 lb	13.5" * 13.5" * 6.4"
CES-LS-THOR-200W	200W	9.0 lb	11.4 lb	16.8" * 16.8" * 6.7"
CES-LS-THOR-250W	250W	9.0 lb	11.4 lb	16.8" * 16.8" * 6.7"

**120° DISTRIBUTION**

100W/14000lm 53.0fc	150W/21000lm 76.7fc	200W/28000lm 101.2fc	250W/35000lm 141.3fc	10ft
100W/14000lm 13.2fc	150W/21000lm 19.1fc	200W/28000lm 25.3fc	250W/35000lm 35.3fc	
100W/14000lm 7.4fc	150W/21000lm 11.7fc	200W/28000lm 14.2fc	250W/35000lm 19.9fc	26ft
100W/14000lm 4.3fc	150W/21000lm 6.6fc	200W/28000lm 8.2fc	250W/35000lm 12.7fc	
100W/14000lm 2.3fc	150W/21000lm 3.3fc	200W/28000lm 4.2fc	250W/35000lm 6.5fc	46ft

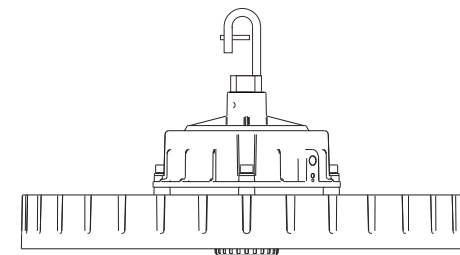


**HYPERLITE LED Luminaire**

**LED High Bay Lighting (Tale Series)**

**Features**

- UL&CUL No E483348 Suitable for Wet Locations
- IP65 Rated Ingress Protection



**ATTENTION BEFORE YOU INSTALL**  
Read these instructions completely and carefully.

**⚠ WARNING/AVERTISSEMENT**

**RISK OF ELECTRIC SHOCK**

- Turn power off before inspection, installation or removal.
- Properly ground electrical enclosure.
- Follow all NEC and local codes.
- Use only UL or IEC approved wire for input/output connections.

**Prepare Electrical Wiring**



**Electrical Requirements**  
The LED driver must be supplied with 100-277 VAC, 50/60 Hz per product label and connected to an individual properly grounded branch circuit, protected by a 15 or 20 ampere circuit breaker.

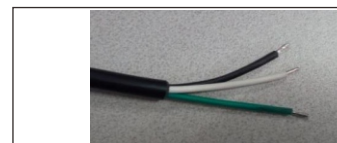


**Grounding Instructions**  
The grounding and bonding of the overall system shall be done in accordance with National Electric Code (NEC) Article 600 and local codes.

**Save These Instructions**

Use only in the manner intended by the manufacturer. If you have any questions, contact the manufacturer.

Note: This equipment has been tested and found to comply with the limits for a Class A digital device, pursuant to part 15 of the FCC Rules. These limits are designed to provide reasonable protection against harmful interference when the equipment is operated in a commercial environment. This equipment generates, uses, and can radiate radio frequency energy and, if not installed and used in accordance with the instruction manual, may cause harmful interference to radio communications. Operation of this equipment in a residential area is likely to cause harmful interference in which case the user will be required to correct the interference at his own expense.



\*Please connect the input wire in correct way, white is ACN, black is ACL, green/yellow is GROUND connection.  
\*Please also make sure the wire connection is fixed perfectly before using.

**Announcements:**

- 1.This equipment is only for professional installation. Non-professional personnel shall not remove or install the equipment.
- 2.Please read the instruction manual before installation and keep it for future reference.
- 3.To avoid damage,falling,electric shock or fire, please do not modify the lamp or replace accessories without confirming with the supplier.
- 4.Maintenance/installation and replacement to the lamps , please confirm to cut off the power supply, and the lamps have set up a cooling.Please make sure the lamps properly installed before processing power.
- 5.Ensure the accurate and reliable connection.
- 6.Ensure that the product around the vent, the lamp cannot violate any fire prevention regulations when using.

MOTION SENSOR FUNCTION



Plug-and-play motion sensor, can be installed and released in 10 seconds for safety-catch. More than 80% labor cost saved.

Technical Data

<b>Working Voltage</b>	10-15V DC	<b>Hold Time</b>	5s/30s/1min/3min//5min/10min/20min/30min
<b>Operating current</b>	30mA±5%		
<b>Output</b>	DIM 1-10V	<b>Daylight Threshold</b>	2Lux/10Lux/50Lux/Disable
<b>Stand-by power</b>	<0.5W	<b>Stand-by Period</b>	0s/10s/30s/1min/5min/10min/30min/+∞
<b>Detection Area</b>	25%/50%/75%/100%	<b>Stand-by Dim Level</b>	10%/20%/30%/50%
<b>Microwave Frequency</b>	5.8GHz±75MHz	<b>Mounting Height</b>	Max. 15m(ceiling mounted)
<b>Microwave Power</b>	<0.3mW	<b>Detection Range</b>	Max. Φ14m (ceiling mounted)
<b>Detection Angle</b>	30-150°		Max. Φ20m(wall mounted)

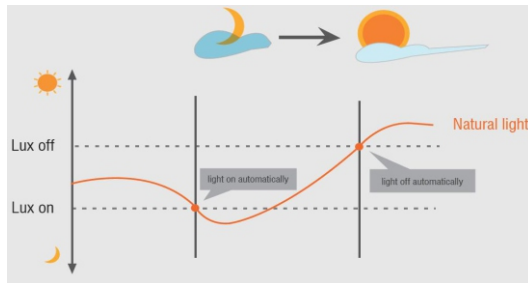
Note: Motion sensor setting and dimming setting please refer to remote control

LUX ON/OFF

Hyperlite sensor is able to differentiate artificial light brightness from natural light after installed inside the fixture, and automatically turn off light, when ambient brightness exceeds preset lux level.

Preconditions to use the Lux-off function:

1. Standby period is +∞;
2. Standby dimming level is on 10%, 20% or 30%;
3. Daylight threshold is on 30Lux, 50Lux, 80Lux or 120Lux.



CERTIFICATE OF COMPLIANCE

UL CERTIFICATION

Certificate Number: E483348  
 Report Reference: E483348  
 Issue Date: 2019-MAY-08



Additional Information:

See the UL Online Certifications Directory at [www.ul.com/database](http://www.ul.com/database) for additional information

- ▲ Only those products bearing the UL Certification Mark should be considered as being covered by UL's Certification and Follow-Up Service.
- ▲ Look for the UL Certification Mark on the product

NAMING RULES

CES-LS-THOR-100WXY-RMSC

Example: CES-LS-THOR-100W50MOL12-HS2BL

Base								
		X	Y	Z	R	M	S	C
Series	Power	CCT	Driver	Beam Angle	CRI	Mounting	Sensor	Color
CES-LS-THOR	100W 150W 200W 250W	40 4000K 50 5000K	MO MOSO	L12 120°	R8 Ra>80	B Bracket H Hook	S1 Daylight sensor S2 Motion sensor Blank No sensor	BZ Bronze BL Blank

DLC CERTIFICATION

File E483348  
 Project 4788072763

How to search the DLC and Get rebate

1. Visit official website: [www.designlights.org](http://www.designlights.org), and input 'CES-LS-THOR', you would get all results.
2. Comparing the search result to the lights you bought, you would get some important data, such as Report Data, Zonal Lumen and so on. Our lights are all listed in DLC organization.
3. Contact local energy sector, you provide the necessary information to them, then you would get rebate.

## FOOTCANDLE LIGHT GUIDE

Footcandles are the most common unit of measure used by lighting professionals to calculate light levels in businesses and outdoor spaces. A footcandle is defined as the illuminance on a one square foot surface from a uniform source of light. The Illuminating Engineering Society (IES) recommends the following footcandle levels to ensure adequate illumination and safety for occupants. Below is a guideline for common areas to assist in achieving appropriate light levels with the greatest energy-efficiency.

Building Area & Task	Average Maintained Footcandles (Horizontal) (FC)	Range of Maintained Footcandles (Horizontal) (FC)	Average Maintained Footcandles (Vertical) (FC)	Range of Maintained Footcandles (Vertical) (FC)	Comments
<b>WAREHOUSING &amp; STORAGE</b>					
Bulky Items—Large Labels	10		5		
Small Items—Small Labels	30		15		
Cold Storage	30-40	10-30	10	5-15	
Open Warehouse	30-40	10-30			
Warehouse w/Aisles	30-40	10-30	10	5-15	
<b>COMMERCIAL OFFICE</b>					
Open Office	40	30-50			@30" Above Finished Floor (AFF)
Private Office	40	30-50			@30" AFF
Conference Room	30				Matte surface reflectance for the table 40% recommended
Restroom	18	75-30			
Lunch & Break Room	15	5-20			
<b>EDUCATIONAL (SCHOOLS)</b>					
Classroom	40	30-50			@30" AFF
Gymnasium					
Class I (Pro or Div. 1 College)	125		30		
Class II (Div. 2 or 3 College)	80		20		
Class III (High School)	50		150		
Class IV (Elementary)	30		100		
Auditorium	75	3-10	5	2.5-10	
Corridor	25	10-40			

▲ This guide is a collaborative effort of Energy Trust of Oregon and the Lighting Design Lab, Seattle, Washington.

Building Area & Task	Average Maintained Footcandles (Horizontal) (FC)	Range of Maintained Footcandles (Horizontal) (FC)	Average Maintained Footcandles (Vertical) (FC)	Range of Maintained Footcandles (Vertical) (FC)	Comments
<b>INDUSTRIAL/MANUFACTURING</b>					
<b>Assembly</b>					
Simple (Large Item)	30		15	15-60	
Difficult (fine)	100	10-30	10	50-200	
<b>Component Manufacturing</b>					
Large	30	10-30	30	15-60	
Medium	70-80	25-100	50	25-100	
<b>EXTERIOR</b>					
Parking (Covered)	5				1FC min, 10:1 Max to Min Uniformity
<b>Parking (Open) (Medium Activity)</b>					
Lighting Zone 3 (Urban)	1.5	75-3	0.8	0.4-1.6	
Lighting Zone 2 (suburban)	1	0.5-2	0.6	0.3-1.2	
Gas Station Canopy	12.5	10-15			
Safety (Building Exterior)	1	0.5-2			If security is an issue—raise average level to 3
<b>RETAIL</b>					
<b>General Retail (Ambient)</b>		50			
Department Store	40	20 - 80	15	7.5-30	
Perimeter			75	35-150	
Accent Lighting (Displays)					3-10 times greater than ambient light levels
<b>AUTOMOTIVE</b>					
Showroom	70-80	25-100	10	7.5-30	
Service Area	50	25-10	30	15-30	
<b>Sales Lot (Exterior)</b>					
Lighting Zone 3 (Urban)	20	10-40	20	10-40	
Lighting Zone 2 (Suburban)	15	7.5-30	15	7.5-30	
<b>GROCERY</b>					
Circulation	20	10-40	7.5	3.5-15	
General Retail	70-80	25-100	20	10-40	
Perimeter			50	25-100	
<b>BANKING</b>					
ATM	20	10-40	15		Vertical at face of ATM

**NOTES:**

- This guide is based on information gathered from the IES "The Lighting Handbook" 10th Edition. It is highly recommended that all lighting professionals refer to the full IES guide when specifying lighting projects.
- At least half of users are in the 25 - 65 age range

- Horizontal—horizontal plane that average maintained foot-candles are measured
- Vertical—vertical plane the average maintained foot-candles are measured
- It is the responsibility of the to determine and provide appropriate lighting levels for each space

More products...

**Linear High Bay**  
WILL Series



- Downy light, no glare, simple design
- High light efficiency, up to 130lm/w
- High Quality PMMA Lens, Non-flicker, protect your eyes
- Super bright LM80 LED 2835SMD, Ra>80
- 5 years warranty



**FLOOD Light**  
GUARDER Series



- Architecturally attractive and modern design
- Ideal for indoor or outdoor applications
- Finished with UV resistant powder coat, excellent corrosion protection
- Optional installation of knuckle, Wall mount
- 5 years Warranty



**CANOPY Light**  
VEGA Series



- Hinged design for quick installation
- Efficiency up to 130LPW
- Optional internal sensor and photocell
- 1-10V Dimming
- 5 years Warranty



**Area Light**  
ARES Series



- Maximum power up to 300w, up to 150lm/w
- Optimized mount kit allows single person installation
- Demountable design, easy for maintenance
- Up-to-date design, with vertical lens and gather 4 LED in one bulb
- 5years warranty



www.hi-hyperlite.com

