

LED Flood LIGHT



MAX Series

100/120/150/200/240/300W

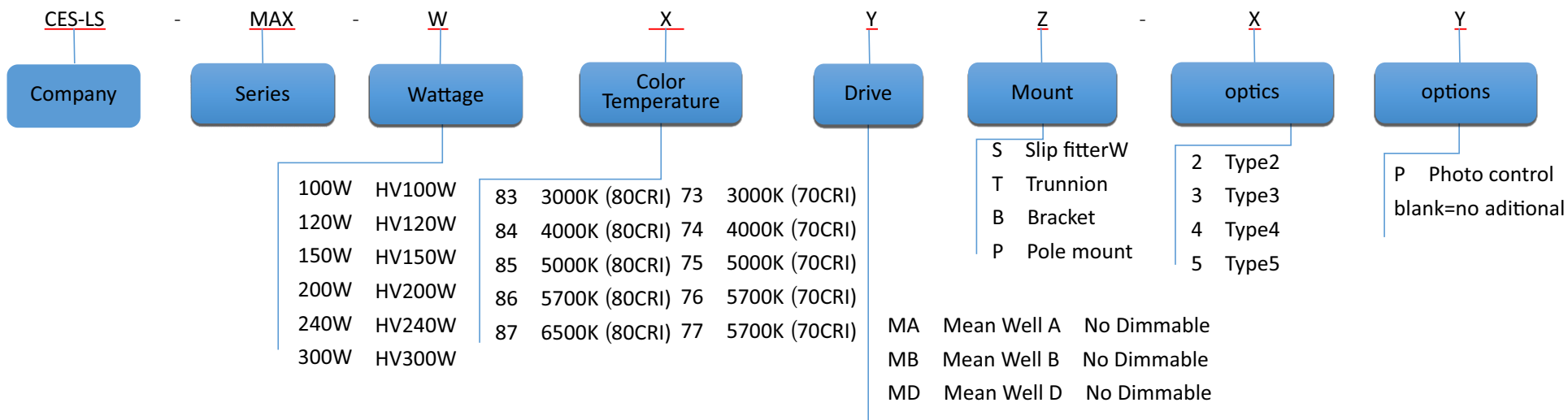
Ordering Guide

LED Flood light MAX series luminaires have the familiar look



CES-LS-MAX-WXYZ-XY

Example: CES-LS-MAX-100W83MA-S2P



Accessories

Application

This luminaire is ideal for large outdoor space such as street lighting, parking area, replace conventional shoebox lights

Construction

Die cast aluminum housing provides excellent thermal transfer to extend component life.
Durable chip and fade resistant powder coat finish ensure performance
Adjustable head to allow precise aiming

Optional bottom lens enclosures available for dust or glare control.

Operation temperature -40°C to 50°C

Components are RoHS compliant
IP65

LED Light Engine

High performance LED delivering up to 130 lumens per watt @70CRI

LED Driver

Meanwell driver

0 to 10v dimmable drivers

Power factor greater than 0.95

Listings

Listed by UL to meet UL 1598 standards for wet location and CE,RoHS,SAA approved.

DLC listing. Please check the DLC Qualified Products list to confirm (www.designlights.org/QPL)

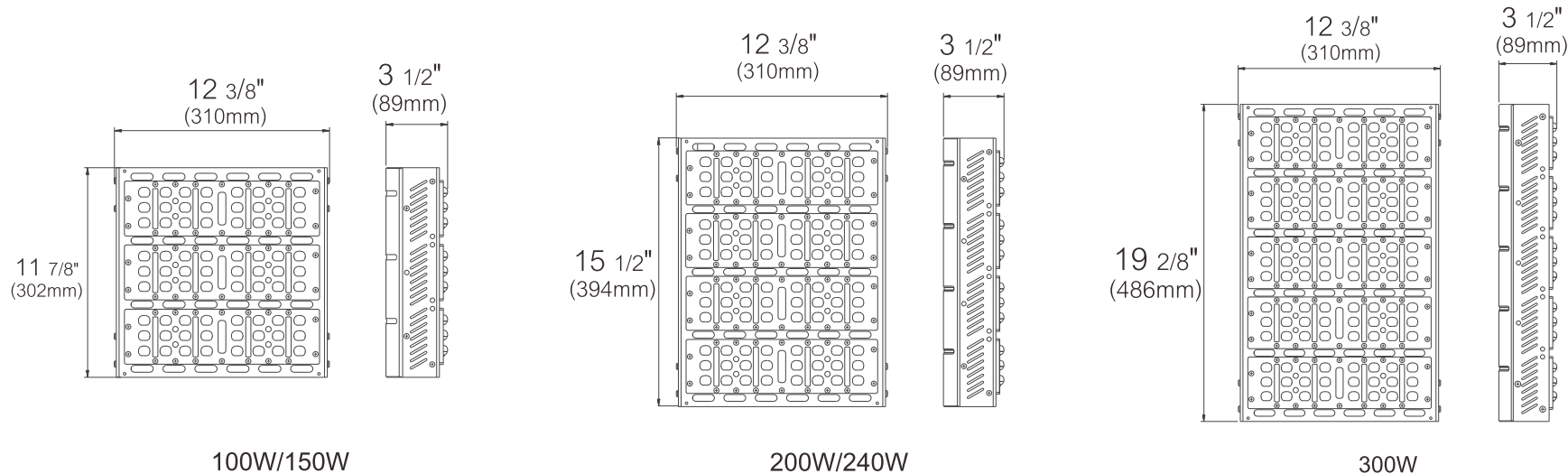
Warranty

5 years warranty

Model	Wattage	Lumens	Luminaire efficacy	Input Voltage	Qty/Ctn	Net Wight	Cross Weight	CTN Size(cm)
CES-LS-MAX-100W	100W	13000lm	130lm/w	AC100-277V	1	5.21kg	5.71kg	55.5*39*19.5cm
CES-LS-MAX-150W	150W	20000lm						
CES-LS-MAX-200W	200W	26000lm				5.84kg	6.34kg	65*39*19.5cm
CES-LS-MAX-240W	240W	31200lm						
CES-LS-MAX-300W	300W	39000lm				7.16kg	7.66kg	74*39*19.5cm

Dimensions

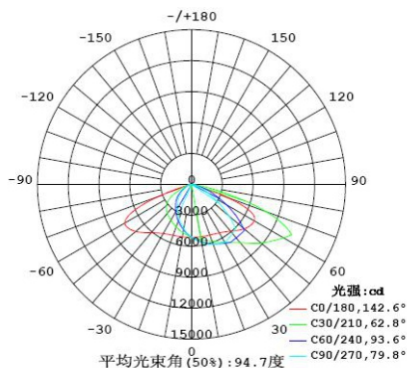
Product size (Unit: inch)



Model	CES-LS-MAX-100W	CES-LS-MAX-150W	CES-LS-MAX-200W	CES-LS-MAX-240W
Power	100W	150W	200W	240W
Net Weight	5.90KG(13LBS)	5.90KG(13LBS)	6.35KG (14LBS)	6.35KG (14LBS)
Model	CES-LS-MAX-300W	/	/	/
Power	300W	/	/	/
Net Weight	7.67KG(16.9LBS)	/	/	/
Input Voltage	AC100-277V, 50/60Hz			
Operating Temperature	Not exceeding 45°C			
IP grade	IP65, suitable for wet location			

Type3 Distribution & illumination

100W / 150w / 200w/ 240w / 300w

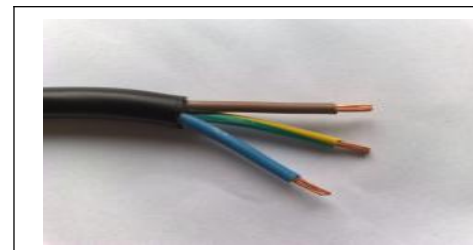
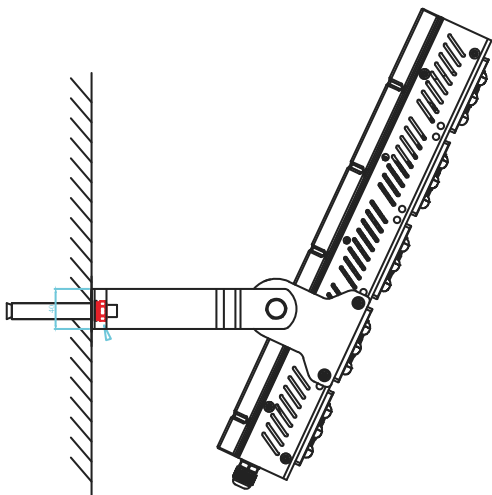


41lux	54lux	72lux	80lux	110lux	3m
100w/13000lm 116lux	150w/20000lm 151lux	200w/26000lm 200lux	240w/31200lm 222lux	300w/39000lm 306lux	6m
100w/13000lm 65lux	150w/20000lm 85lux	200w/26000lm 113lux	240w/31200lm 125lux	300w/39000lm 172lux	8m
100w/13000lm	150w/20000lm	200w/26000lm	240w/31200lm	300w/39000lm	10m
100w/13000lm 21Lux	150w/20000lm 27lux	200w/26000lm 36lux	240w/31200lm 40lux	300w/39000lm 56lux	14m

Installation:

Announcements:

- 1.This equipment is only a professional installation. Non-professional personnel shall not remove or install the equipment.
- 2.Please read the instruction manual before installation and keep it for future reference.
- 3.To avoid damage,falling,electric shock or fire,please do not modify the lamp or replace accessories without confirming with the supplier
- 4.Maintenance/installation and replacement the lamps , please confirm to cut off the power supply, and the lamps have set up a cooling.Please make sure the lamps and has been properly installed before processing power.
- 5.Ensure the accurate and reliable connection.
- 6.Ensure that the product around the vent, the lamp cannot violate any fire prevention regulations when using.



1.Pls connect the input wire in correct way, brown wire is L, Blue wire is N, yellow and green wire is ground connection. Pls also make sure the wire connection is fixed perfectly before using.

