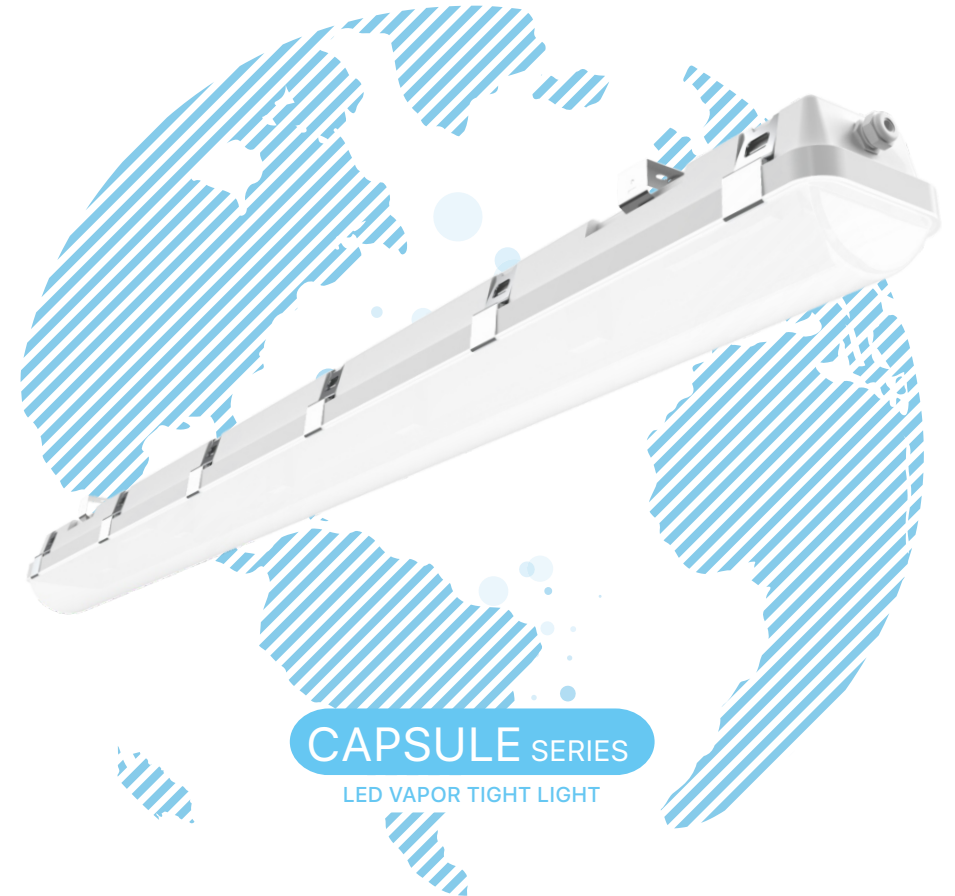


**HYPERLITE**  
www.hi-hyperlite.com

A good & brand new product. Congrats!  
Enjoy brighter life now.

Feel free to contact us  
Email: [service01@hi-hyperlite.com](mailto:service01@hi-hyperlite.com)  
Toll-free number: +1(855) 688 7879



RELIABLE SOLID BRIGHT

# LED VAPOR TIGHT LIGHT

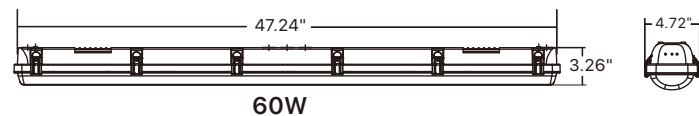
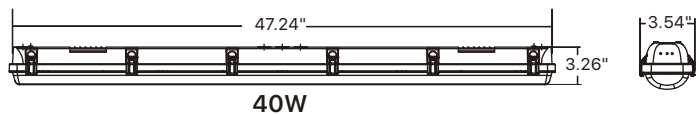
## CAPSULE Series



### FEATURES & SPECIFICATIONS

This linkable LED vapor tight Capsule series is the classic vapor tight design which is UL listed for wet location applications. The waterproof polycarbonate housing and a frosted polycarbonate lens are impact-resistant, and fully sealed against dust, moisture, fumes and insects. Perfect for when you need a light that can withstand industrial condition and harsh conditions.

Performance Data		CES-LS-SR-40W	CES-LS-SR-60W
General	Lumens	5200 lm	7800 lm
	Efficacy	130lm/W	
	CCT	5000K	
	Beam angle	120°	
	CRI	>70	
	Life span	>50,000 Hours	
	Color finish	White	
Electrical	Power	40W	60W
	Input voltage	AC 100-277V	
	Power factor	>0.9	
	Temperature	-22°F -113°F (-30°C to 45°C)	
Mounting	Mounting	Surface Mounting	
	Listing	UL, cUL	
	IP rating	IP 65	
	Warranty	3 Years	

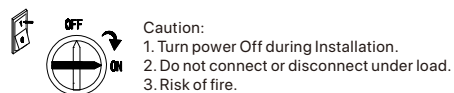
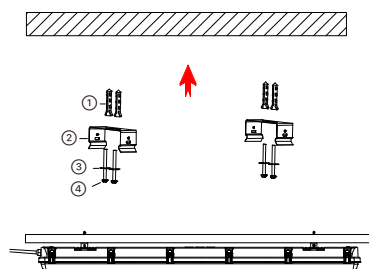
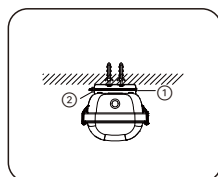
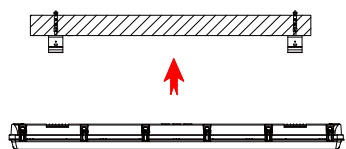
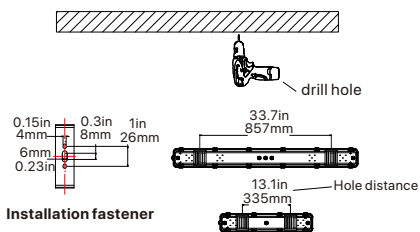
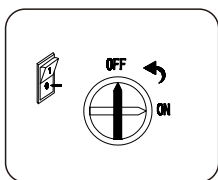


**PACKAGING INFORMATION**

Model	Qty/Ctn	Net Weight	Gross Weight	CTN Size
CES-LS-SR-40W	1	4.1±1 lbs	4.8±1 lbs	51.2"*3.9"*3.5"
	4	16.4±1 lbs	21.3±1 lbs	52.0"*8.4"*7.6"
CES-LS-SR-60W	1	5.2±1 lbs	6.1±1 lbs	51.2"*5.1"*3.7"
	4	20.9±1 lbs	26.7±1 lbs	52.0"*10.7"*8.0"

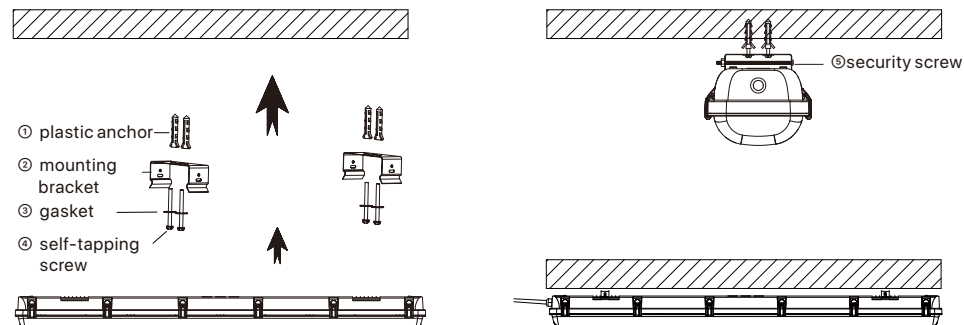
**INSTALLATION INSTRUCTIONS**

Caution:  
Switch Off the Power Supply



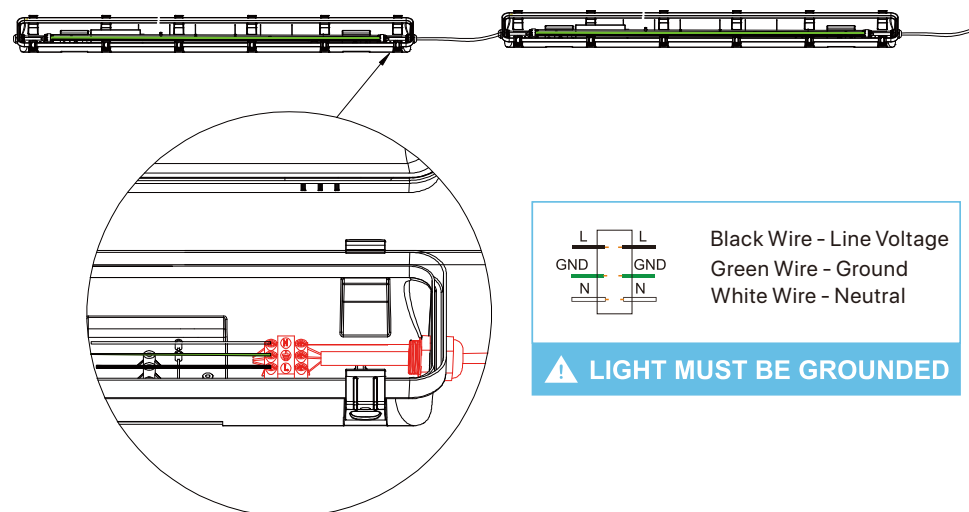
**Surface mounting**

1. Attach mounting brackets to surface using appropriate fasteners, or screws, anchors and washers provided. (Please note the center to center distance between brackets)
2. Lift light into place and snap onto surface mounting brackets.
3. Connect wiring.



**Daisy-chain installation**

NOTE: The maximum power is 700W for daisy-chain fixture.



# HYPERLITE LED Luminaire

LED Vapor Tight Light  
(CAPSULE Series)

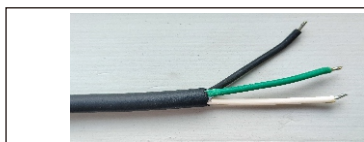
**ATTENTION** BEFORE YOU INSTALL  
Read these instructions completely and carefully.

<p><b>WARNING</b></p>
<p><b>RISK OF ELECTRIC SHOCK</b></p> <ul style="list-style-type: none"> <li>• Turn power off before inspection, installation or removal.</li> <li>• Properly ground electrical enclosure.</li> <li>• Follow all NEC and local codes.</li> <li>• Use only UL or IEC approved wire for input/output connections.</li> </ul>

### Save These Instructions

Use only in the manner intended by the manufacturer.  
If you have any questions, contact the manufacturer.

Note: This equipment has been tested and found to comply with the limits for a Class A digital device, pursuant to part 15 of the FCC Rules. These limits are designed to provide reasonable protection against harmful interference when the equipment is operated in a commercial environment. This equipment generates, uses, and can radiate radio frequency energy and, if not installed and used in accordance with the instruction manual, may cause harmful interference to radio communications. Operation of this equipment in a residential area is likely to cause harmful interference in which case the user will be required to correct the interference at his own expense.



\*Please connect the input wire in correct way, white is ACN, black is ACL, green is GROUND connection.  
\*Please also make sure the wire connection is fixed perfectly before using.

### Prepare Electrical Wiring



**Electrical Requirements**  
The LED driver must be supplied with 100-277 VAC, 50/60 Hz per product label and connected to an individual properly grounded branch circuit, protected by a 15 or 20 ampere circuit breaker.



**Grounding Instructions**  
The grounding and bonding of the overall system shall be done in accordance with National Electric Code (NEC) Article 600 and local codes.

## CERTIFICATE OF COMPLIANCE

Certificate Number: E483348  
Report Reference: E483348  
Issue Date: 2020-JUNE-17



**Additional Information:**  
See the UL Online Certifications Directory at [www.ul.com/database](http://www.ul.com/database) for additional information.

- ▲ Only those products bearing the UL Certification Mark should be considered as being covered by UL's Certification and Follow-Up Service.
- ▲ Look for the UL Certification Mark on the product.

## READ THOROUGHLY BEFORE INSTALLATION

**▲ WARNING!** FIXTURES MUST BE GROUNDED and installed in accordance with the National Electrical Code and all local codes. Failure to do so may increase the **RISK OF PERSONAL INJURY, PROPERTY DAMAGE, FIRE AND DEATH.**

**▲ WARNING!** Dangerous voltage exist within the unit and all precautions usually observed in handling high voltage equipment should be observed when replacing light engine or otherwise servicing luminaires. Disregarding this warning could result in electrical shock and possible injury to the individual installing or servicing this equipment. Installation, service and maintenance of luminaires should be done by a **qualified licensed electrician.**

**▲ CAUTION!** To reduce the risk of death, personal injury or property damage from fire, electric shock, falling parts, cuts/abrasions, and other hazards please read all warnings and instructions included with and on the fixture box and all fixture labels.

### ▲ NOTE!

- This equipment is only for professional installation. Non-professional personnel shall not remove or install the equipment.
- To avoid damage, falling, electric shock or fire, please do not modify the lamp or replace accessories without confirming with the supplier.
- Maintenance/installation and replacement the lamps, please confirm to cut off the power supply, and the lamps have set up a cooling. Please make sure the lamps properly installed before processing power.
- Ensure the accurate and reliable connection.
- Ensure that the product around the vent, the lamp cannot violate any fire prevention regulations when using.

Carefully read these instructions before installing product and keep it for future reference. If you do not understand these instructions, before starting any work, contact [service01@hi-hyperlite.com](mailto:service01@hi-hyperlite.com) or (855)688-7879.

## FOOTCANDLE LIGHT GUIDE

Footcandles are the most common unit of measure used by lighting professionals to calculate light levels in businesses and outdoor spaces. A footcandle is defined the illuminance on a one square foot surface from a uniform source of light. The illuminating Engineering Society (IES) recommends the following footcandle levels to ensure adequate illumination and safety for occupants. Below is a guideline for common areas to assist in achieving appropriate light levels with the greatest energy-efficiency.

Building Area & Task	Average Maintained Footcandles (Horizontal) (FC)	Range of Maintained Footcandles (Horizontal) (FC)	Average Maintained Footcandles (Vertical) (FC)	Range of Maintained Footcandles (Vertical) (FC)	Comments
<b>WAREHOUSING &amp; STORAGE</b>					
Bulky Items—Large Labels	10		5		
Small Items—Small Labels	30		15		
Cold Storage	30-40	10-30	10	5-15	
Open Warehouse	30-40	10-30			
Warehouse w/Aisles	30-40	10-30	10	5-15	
<b>COMMERCIAL OFFICE</b>					
Open Office	40	30-50			@30" Above Finished Floor (AFF)
Private Office	40	30-50			@30" AFF
Conference Room	30				Matte surface reflectance for the table 40% recommended
Restroom	18	75-30			
Lunch & Break Room	15	5-20			
<b>EDUCATIONAL (SCHOOLS)</b>					
Classroom	40	30-50			@30" AFF
Gymnasium					
Class I (Pro or Div. 1 College)	125		30		
Class II (Div. 2 or 3 College)	80		20		
Class III (High School)	50		150		
Class IV (Elementary)	30		100		
Auditorium	75	3-10	5	2.5-10	
Corridor	25	10-40			

▲ This guide is a collaborative effort of Energy Trust of Oregon and the Lighting Design Lab, Seattle, Washington.

Building Area & Task	Average Maintained Footcandles (Horizontal) (FC)	Range of Maintained Footcandles (Horizontal) (FC)	Average Maintained Footcandles (Vertical) (FC)	Range of Maintained Footcandles (Vertical) (FC)	Comments
<b>INDUSTRIAL/MANUFACTURING</b>					
<b>Assembly</b>					
Simple (Large Item)	30		15	15-60	
Difficult (fine)	100	10-30	10	50-200	
<b>Component Manufacturing</b>					
Large	30	10-30	30	15-60	
Medium	70-80	25-100	50	25-100	
<b>EXTERIOR</b>					
Parking (Covered)	5				1FC min, 10:1 Max to Min Uniformity
<b>Parking (Open) (Medium Activity)</b>					
Lighting Zone 3 (Urban)	1.5	75-3	0.8	0.4-1.6	
Lighting Zone 2 (suburban)	1	0.5-2	0.6	0.3-1.2	
Gas Station Canopy	12.5	10-15			
Safety (Building Exterior)	1	0.5-2			If security is an issue—raise average level to 3
<b>RETAIL</b>					
<b>General Retail (Ambient)</b>		50			
Department Store	40	20 - 80	15	7.5-30	
Perimeter			75	35-150	
Accent Lighting (Displays)					3-10 times greater than ambient light levels
<b>AUTOMOTIVE</b>					
Showroom	70-80	25-100	10	7.5-30	
Service Area	50	25-10	30	15-30	
<b>Sales Lot (Exterior)</b>					
Lighting Zone 3 (Urban)	20	10-40	20	10-40	
Lighting Zone 2 (Suburban)	15	7.5-30	15	7.5-30	
<b>GROCERY</b>					
Circulation	20	10-40	7.5	3.5-15	
General Retail	70-80	25-100	20	10-40	
Perimeter			50	25-100	
<b>BANKING</b>					
ATM	20	10-40	15		Vertical at face of ATM

**NOTES:**

- This guide is based on information gathered from the IES 'The Lighting Handbook' 10th Edition. It is highly recommended that all lighting professionals refer to the full IES guide when specifying lighting projects.
- At least half of users are in the 25 - 65 age range.

- Horizontal—horizontal plane that average maintained foot-candles are measured.
- Vertical—vertical plane the average maintained foot-candles are measured.
- It is the responsibility of the to determine and provide appropriate lighting levels for each space.

■ LED High Bay Light



Hero Black Series



Hero White Series



Radar Series



Saturn Series



Saturn Series



Will Series

■ LED Flood Light



Mars Series



Eyes Series

■ LED Grow Light



Groplanner O Series

■ Area Light & Canopy Garage Light



Top Series



Vega Series

■ LED Vapor Tight Light



Capsule Series

■ LED Wall Pack Light



Wall. E Series



Moon Series

■ Temporary Work Light



Hive Series

More products...



www.hi-hyperlite.com

