

HYPERLITE
www.hi-hyperlite.com

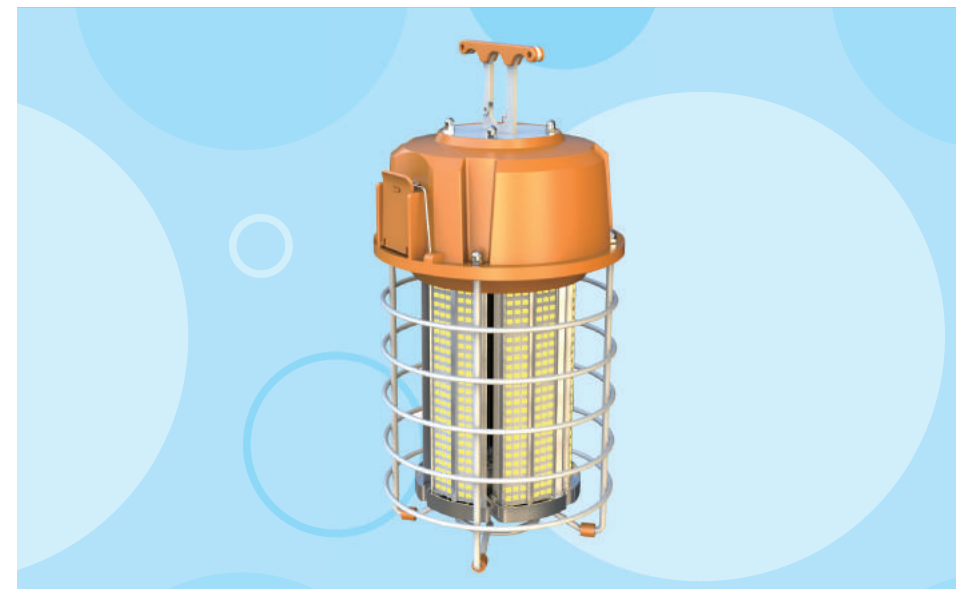
Use hyperlite LED work light,
enjoy brighter life now

If you need more information about our lights,
please email us or call

Email: info@hi-hyperlite.com
Toll-free number: +1(855) 688 7879

HYPERLITE
LED LIGHTING
www.hi-hyperlite.com

LEARN MORE
Instruction manual



Thanks for your purchase!

LED WORK LIGHT HIVE series



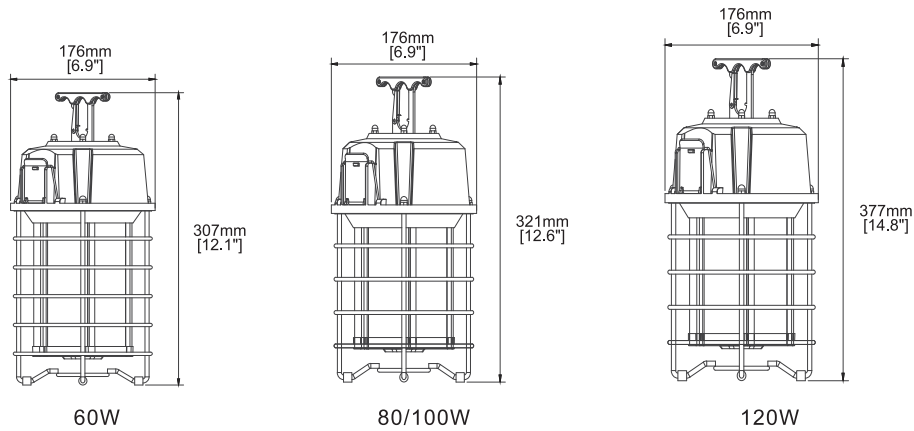
FEATURES

- 6KV Surge Protection, lamp can bear sudden high voltage.
- 50,000hours life span with 5 years warranty.
- Stainless steel guard for impact protection,
- 10ft 16AWG cord with plug suitable to huge construction area.



5 YEAR
WARRANTY

Performance Data		BWRL-60W-B	BWRL-80W-B	BWRL-100W-B	BWRL-120W-B
General	Lumens	7500lm	10000lm	12500lm	15000lm
	Efficacy	125 lm/w			
	CCT	5000K			
	CRI	>80			
	Beam Angle	320°			
	Life Span	>50,000 hours			
Electrical	Power	60W	80W	100W	120W
	Input Voltage	AC100-277V			
	Surge Protection	6KV surge protector for optional			
	Power Factor	>0.9			
Options	Operating temperature	-40°F to 113°F			
	Listings	Listed by UL approved.			
	Warranty	5 years			

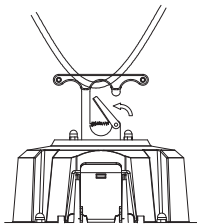


PACKAGING INFORMATION

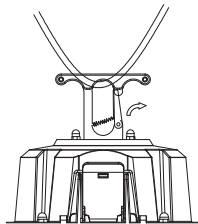
Model	Wattage	Net Weight	Gross Weight	CTN Size
BWRL-60W-B	60W	4.2 lb	5.0 lb	7.7"*7.7"*12.9"
BWRL-80W-B	80W	5.0 lb	5.8 lb	7.7"*7.7"*13.5"
BWRL-100W-B	100W	5.0lb	5.8 lb	7.7"*7.7"*13.5"
BWRL-120W-B	120W	5.3 lb	6.2 lb	7.7"*7.7"*15.7"

INSTALLATION INSTRUCTIONS

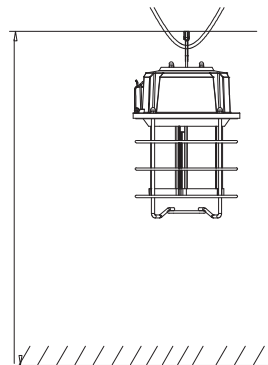
- Place the work light up to the hanging hardware, push the gate of the carabiner clip against the hanging hardware until it opens (Pic 1).
- Captures the hardware (Pic 2) The installation is now completed.



(Pic 1)

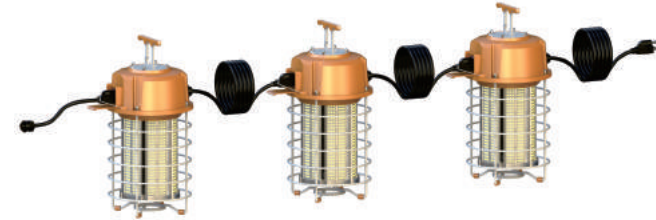


(Pic 2)



CONNECTION

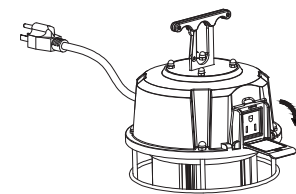
Hidden & built-in connector design. Customer can choose to connect several work lights in series or not. Suitable to damp location.



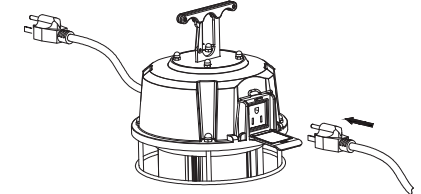
- Linking Additional Units

Install each additional unit as in STEP 1. When adding units, turn cage light off prior to adding the additional units. Max 7x120W can be linked on one string of lights and must NOT EXCEED 10A. Open the outlet access door in order to gain access to the grounded outlet (Pic3). Plug each additional light into the preceding unit (Pic4). Lock each plug in place by closing the locking buckle onto the plug (Pic 5-6). Repeat as necessary. Plug in the first unit and use the remote to turn the lights on individually one by one after installing all the units you want to link.

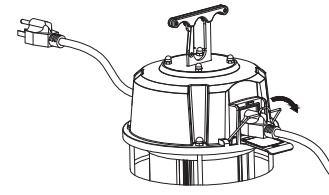
Wattage	ULCurrent@120V	Link-ableQtys
120W	1.296	7pcs
100W	1.08	9pcs
80W	0.865	11pcs
60W	0.65	15pcs



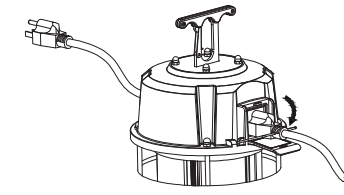
(Pic 3)



(Pic 4)



(Pic 5)



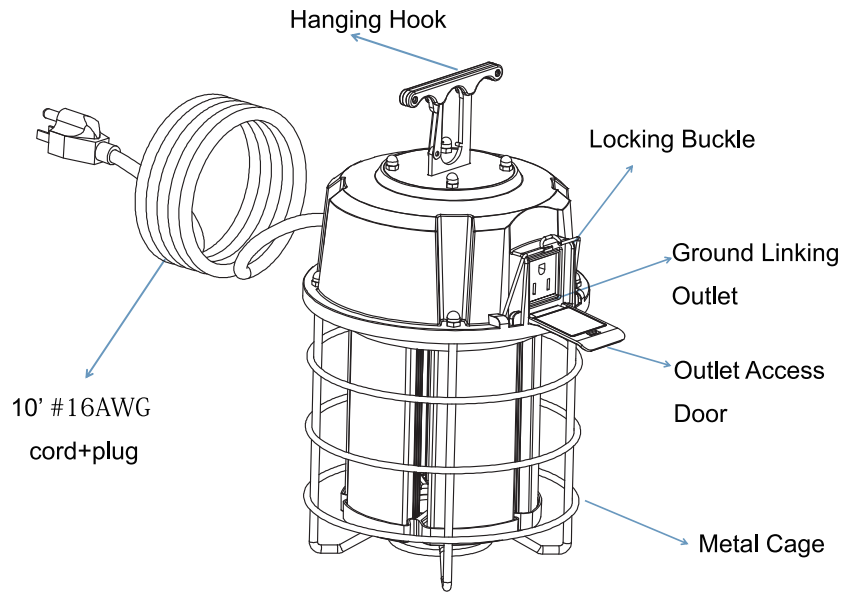
(Pic 6)

HYPERLITE LED Luminaire

LED Work Light
(Hive Series)

Features

- UL & cUL No E503681 Suitable for Wet Locations



ATTENTION

BEFORE YOU INSTALL

Read these instructions completely and carefully.

⚠ WARNING/AVERTISSEMENT

RISK OF ELECTRIC SHOCK

- Turn power off before inspection, installation or removal.
- Properly ground electrical enclosure.
- Follow all NEC and local codes.
- Use only UL or IEC approved wire for input/output connections.

Save These Instructions

Use only in the manner intended by the manufacturer. If you have any questions, contact the manufacturer.

Prepare Electrical Wiring



Electrical Requirements

The LED driver must be supplied with 100-277 VAC, 50/60 Hz per product label and connected to an individual properly grounded branch circuit, protected by a 15 or 20 ampere circuit breaker.



Grounding Instructions

The grounding and bonding of the overall system shall be done in accordance with National Electric Code (NEC) Article 600 and local codes.

CERTIFICATE OF COMPLIANCE

UL CERTIFICATION

Certificate Number: E503681
Report Reference: E503681
Issue Date: 2018-DECEMBER-31



Additional Information:

See the UL Online Certifications Directory at www.ul.com/database for additional information

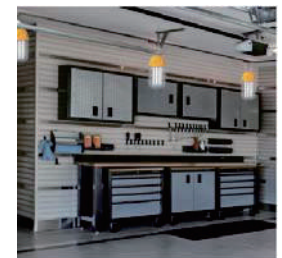
- ▲ Only those products bearing the UL Certification Mark should be considered as being covered by UL's Certification and Follow-Up Service.
- ▲ Look for the UL Certification Mark on the product.

NAMING RULES

Basic Model No.	Alternate Model No.	
BWRL-60W-B	WL6XX	Where first X may be 27, 30, 35, 40, 45, 50 or 57 represents LED color temperature 2700K, 3000K, 3500K, 4000K, 4500K, 5000K or 5700K respectively; the second X may be blank or S represents without sensor or with sensor respectively.
BWRL-80W-B	WL8XX	
BWRL-100W-B	WL10XX	
BWRL-120W-B	WL12XX	

APPLICATION

Task lighting, Commercial lighting, Work areas etc



FOOTCANDLE LIGHT GUIDE

Footcandles are the most common unit of measure used by lighting professionals to calculate light levels in businesses and outdoor spaces. A footcandle is defined as the illuminance on a one square foot surface from a uniform source of light. The Illuminating Engineering Society (IES) recommends the following footcandle levels to ensure adequate illumination and safety for occupants. Below is a guideline for common areas to assist in achieving appropriate light levels with the greatest energy-efficiency.

Building Area & Task	Average Maintained Footcandles (Horizontal) (FC)	Range of Maintained Footcandles (Horizontal) (FC)	Average Maintained Footcandles (Vertical) (FC)	Range of Maintained Footcandles (Vertical) (FC)	Comments
----------------------	--	---	--	---	----------

WAREHOUSING & STORAGE

Bulky Items—Large Labels	10		5		
Small Items—Small Labels	30		15		
Cold Storage	30-40	10-30	10	5-15	
Open Warehouse	30-40	10-30			
Warehouse w/Aisles	30-40	10-30	10	5-15	

COMMERCIAL OFFICE

Open Office	40	30-50			@30" Above Finished Floor (AFF)
Private Office	40	30-50			@30" AFF
Conference Room	30				Matte surface reflectance for the table 40% recommended
Restroom	18	75-30			
Lunch & Break Room	15	5-20			

EDUCATIONAL (SCHOOLS)

Classroom	40	30-50			@30" AFF
Gymnasium					
Class I (Pro or Div. 1 College)	125		30		
Class II (Div. 2 or 3 College)	80		20		
Class III (High School)	50		150		
Class IV (Elementary)	30		100		
Auditorium	75	3-10	5	2.5-10	
Corridor	25	10-40			

▲ This guide is a collaborative effort of Energy Trust of Oregon and the Lighting Design Lab, Seattle, Washington.

Building Area & Task	Average Maintained Footcandles (Horizontal) (FC)	Range of Maintained Footcandles (Horizontal) (FC)	Average Maintained Footcandles (Vertical) (FC)	Range of Maintained Footcandles (Vertical) (FC)	Comments
----------------------	--	---	--	---	----------

INDUSTRIAL/MANUFACTURING

Assembly					
Simple (Large Item)	30		15	15-60	
Difficult (fine)	100	10-30	10	50-200	
Component Manufacturing					
Large	30	10-30	30	15-60	
Medium	70-80	25-100	50	25-100	

EXTERIOR

Parking (Covered)	5				1FC min, 10:1 Max to Min Uniformity
Parking (Open) (Medium Activity)					
Lighting Zone 3 (Urban)	1.5	75-3	0.8	0.4-1.6	
Lighting Zone 2 (suburban)	1	0.5-2	0.6	0.3-1.2	
Gas Station Canopy	12.5	10-15			
Safety (Building Exterior)	1	0.5-2			If security is an issue—raise average level to 3

RETAIL

General Retail (Ambient)		50			
Department Store	40	20 - 80	15	7.5-30	
Perimeter			75	35-150	
Accent Lighting (Displays)					3-10 times greater than ambient light levels

AUTOMOTIVE

Showroom	70-80	25-100	10	7.5-30	
Service Area	50	25-10	30	15-30	
Sales Lot (Exterior)					
Lighting Zone 3 (Urban)	20	10-40	20	10-40	
Lighting Zone 2 (Suburban)	15	7.5-30	15	7.5-30	

GROCERY

Circulation	20	10-40	7.5	3.5-15	
General Retail	70-80	25-100	20	10-40	
Perimeter			50	25-100	

BANKING

ATM	20	10-40	15		Vertical at face of ATM
-----	----	-------	----	--	-------------------------

NOTES:

- This guide is based on information gathered from the IES "The Lighting Handbook" 10th Edition. It is highly recommended that all lighting professionals refer to the full IES guide when specifying lighting projects.
- At least half of users are in the 25 - 65 age range.

- Horizontal—horizontal plane that average maintained foot-candles are measured.
- Vertical—vertical plane the average maintained foot-candles are measured.
- It is the responsibility of the to determine and provide appropriate lighting levels for each space.

More products...

High Bay Light
HERO Series



- Pure aluminum by cold forging, excellent heat dissipation
- High light efficiency, up to 150lm/w
- Multiple beam angle, lens or reflectors for various demands
- Super compact design, N.W.: 2.38kg; 1428pcs in 20GP container
- 5 years warranty



FLOOD Light
GUARDER Series



- Architecturally attractive and modern design
- Ideal for indoor or outdoor applications
- Finished with UV resistant powder coat, excellent corrosion protection
- Optional installation of knuckle, Wall mount
- 5 years Warranty



Linear High Bay
SKY Series



- Patented super slim, minimalist-inspired design
- Various beam angle: 30°/ 60°/ 90°/ 120° shelf beam 20°
- High purity profiled aluminum, with excellent heat dissipation
- Exclusive optical lens optimizes the light distribution, promotes light efficiency
- 5 years warranty



Area Light
ARES Series



- Maximum power up to 300w, up to 150lm/w
- Optimized mount kit allows single person installation
- Demountable design, easy for maintenance
- Up-to-date design, with vertical lens and gather 4 LED in one bulb
- 5 years warranty



www.hi-hyperlite.com

