

HYPERLITE

www.hi-hyperlite.com

Use hyperlite LED flood light,
enjoy brighter life now

If you need more information about our lights,
please email us or call us 24h

Email: info@hi-hyperlite.com

Toll-free number: +1(855) 688 7879

HYPERLITE

LED LIGHTING

www.hi-hyperlite.com

LEARN MORE

Instruction manual



Thanks for your purchase!

LED FLOOD LIGHT GUARDER series

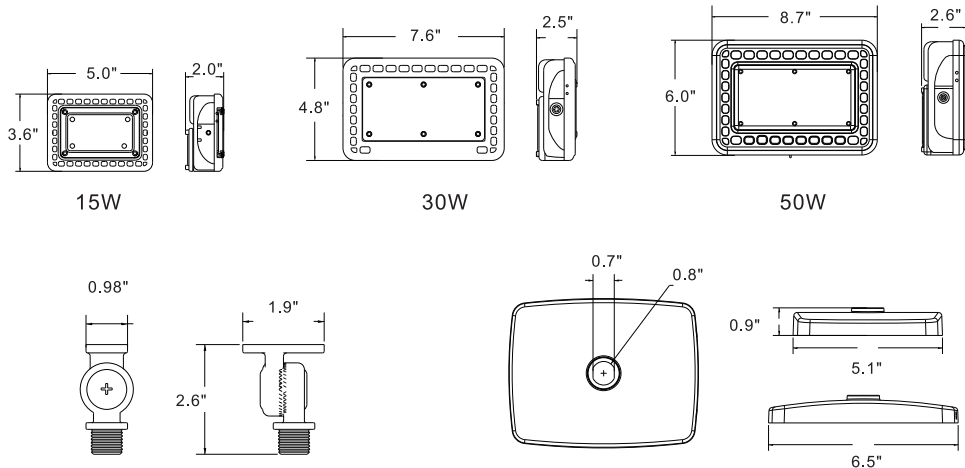


FEATURES & SPECIFICATIONS

◆ APPLICATION

Hyperlite mini floodlights are special designed for illuminating building facades, sign lighting, wall washing building exteriors, landscape lighting, and improving building security. Convenient installation, long service life, energy conservation and environmental protection.

Performance Data		CES-LS-GD -15W	CES-LS-GD -30W	CES-LS-GD -50W
General	Lumens	1800lm	3600lm	6000lm
	Efficacy	120 lm/w		
	CCT	4000K, 5000K		
	CRI	>70		
	L70@25°C	>60,000 hours		
	Beam Angle	60°*120°		
Physical	Mounting	Knuckle, Wall Mount (include the knuckle and J-box)		
	Color	Bronze		
Electrical	Input Voltage	AC100-277V		
	Power factor	>0.95		
Qualification	Operating temperature	-40°F to 122°F		-40°F to 113°F
	Listings	UL		
	IP Rating	IP 65		
	Warranty	5 years		

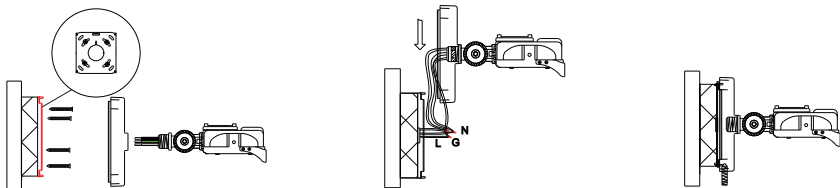


PACKAGING INFORMATION

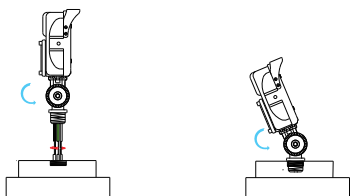
Model	Wattage	Net Weight	Gross Weight	CTN Size
CES-LS-GD-15W	15W	1 ± 0.1 lb	1.8 ± 0.1 lb	7.2" * 6.0" * 3.4"
CES-LS-GD-30W	30W	1.9 ± 0.1 lb	2.7 ± 0.1 lb	8.1" * 7.0" * 3.4"
CES-LS-GD-50W	50W	2.9 ± 0.1 lb	3.7 ± 0.1 lb	9.4" * 8.1" * 3.4"

INSTALLATION INSTRUCTIONS

- Wall Mount



- Knuckle



HYPERLITE LED Luminaire

LED Flood Lighting (Guarder Series)

Features

- UL&CUL No E483348 Suitable for Wet Locations
- IP65 Rated Ingress Protection

ATTENTION

BEFORE YOU INSTALL
Read these instructions completely and carefully.

WARNING/AVERTISSEMENT

- RISK OF ELECTRIC SHOCK**
- Turn power off before inspection, installation or removal.
 - Properly ground electrical enclosure.
 - Follow all NEC and local codes.
 - Use only UL or IEC approved wire for input/output connections.

Prepare Electrical Wiring



Electrical Requirements
The LED driver must be supplied with 100-277 VAC, 50/60 Hz per product label and connected to an individual properly grounded branch circuit, protected by a 15 or 20 ampere circuit breaker.

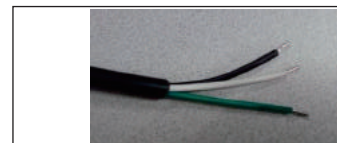


Grounding Instructions
The grounding and bonding of the overall system shall be done in accordance with National Electric Code (NEC) Article 600 and local codes.

Save These Instructions

Use only in the manner intended by the manufacturer. If you have any questions, contact the manufacturer.

Note: This equipment has been tested and found to comply with the limits for a Class A digital device, pursuant to part 15 of the FCC Rules. These limits are designed to provide reasonable protection against harmful interference when the equipment is operated in a commercial environment. This equipment generates, uses, and can radiate radio frequency energy and, if not installed and used in accordance with the instruction manual, may cause harmful interference to radio communications. Operation of this equipment in a residential area is likely to cause harmful interference in which case the user will be required to correct the interference at his own expense.



*Please connect the input wire in correct way, white is ACN, black is ACL, green/yellow is GROUND connection.
*Please also make sure the wire connection is fixed perfectly before using.

Announcements:

- 1.This equipment is only for professional installation. Non-professional personnel shall not remove or install the equipment.
- 2.Please read the instruction manual before installation and keep it for future reference.
- 3.To avoid damage,falling,electric shock or fire, please do not modify the lamp or replace accessories without confirming with the supplier.
- 4.Maintenance/installation and replacement the lamps , please confirm to cut off the power supply, and the lamps have set up a cooling.Please make sure the lamps properly installed before processing power.
- 5.Ensure the accurate and reliable connection.
- 6.Ensure that the product around the vent, the lamp cannot violate any fire prevention regulations when using.

CERTIFICATE OF COMPLIANCE

UL CERTIFICATION

Certificate Number: E483348
 Report Reference: E483348
 Issue Date: 2017-DECEMBER-26



Additional Information:

See the UL Online Certifications Directory at www.ul.com/database for additional information

- ▲ Only those products bearing the UL Certification Mark should be considered as being covered by UL's Certification and Follow-Up Service.
- ▲ Look for the UL Certification Mark on the product

NAMING RULES

CES-LS-GD-15WXY-ZRMC

Example: CES-LS-GD-15W50LA-L6KBZ

Base							
		X	Y	Z	R	M	C
Series	Power	CCT	Driver	Optics	CRI	Mount	Color
CES-LS-GD	15W 30W 50W	40 4000K 50 5000K	LA Non-dimmable	L6 lens60°*120°	Blank Ra>70	K Knuckle W Wall Mount	BZ Bronze BL Blank

More products...

High Bay Light HERO Series



- Pure aluminum by cold forging, excellent heat dissipation
- High light efficiency, up to 150lm/w
- Multiple beam angle, lens or reflectors for various demands
- Super compact design, N.W.: 2.38kg; 1428pcs in 20GP container
- 5 years warranty



High Bay Light APOLLO Series



- Classic UFO High bay, with 3D fin type heat sink, excellent heat dissipation
- Compact design without reflector, bigger PCB brings better heat conduction
- Top quality long lifespan chip with LM-80 and Meanwell driver
- High light efficiency, up to 150lm/w
- 5 years warranty



Linear High Bay SKY Series



- Patented super slim, minimalist-inspired design
- Various beam angle: 30°/ 60°/ 90°/ 120°/ shelf beam 20°
- High purity profiled aluminum, with excellent heat dissipation
- Exclusive optical lens optimizes the light distribution, promotes light efficiency
- 5 years warranty



Area Light ARES Series



- Maximum power up to 300w, up to 150lm/w
- Optimized mount kit allows single person installation
- Demountable design, easy for maintenance
- Up-to-date design, with vertical lens and gather 4 LED in one bulb
- 5 years warranty

