

Safety Instruction:

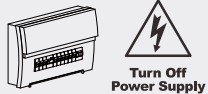
Basic safety precautions should always be followed when installing, including the following:

1. Read instructions carefully before installing.
2. This LED Panel requires professional installation and maintenance.
3. The power supply of the LED Panel should be powered by a dedicated external LED driver.
4. Disconnect the power supply before installing or maintenance.
5. Make sure the wires have been properly connected before powering on the device.
6. Ensure the product has enough space for heat dissipation.
7. Ensure the luminaries are never covered by any heat insulation mat or slim layer material at anytime.
8. Suitable for damp locations.
9. Ambient Temperature: -25°C to + 45°C, Avoid direct sunlight.
10. Storage Conditions: Cool & dry conditions.

Installation Procedure

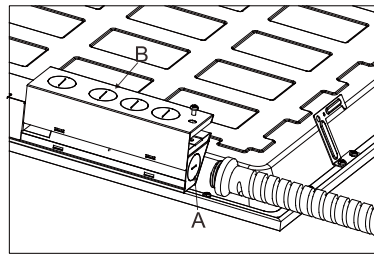
WARNING:

1. Switch off before installation.
2. Switch on only after complete installation and examination of the circuit.

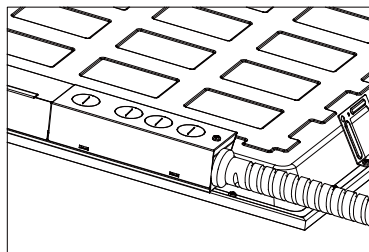


CAUTION:

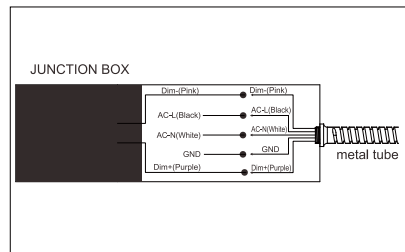
Make sure that the mounting surface or structural member used for installation can support the weight of LED Panel.



- (1) Remove the knock-down hole on box by screwdriver (Part A), Remove screw and take out the driver cover (Part B)

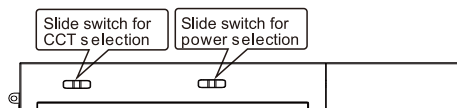


- (3) Cover the driver box and tighten it with a screwdriver, finish connection.



- (2) Connect the wire as the picture showing.

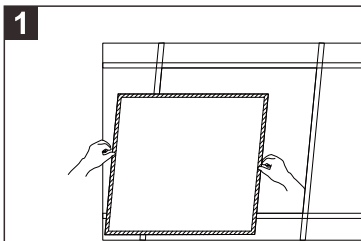
For the product with Slide Switch of CCT or power selection, please select the CCT or power needed before installation. (Ignore these steps if without the function)



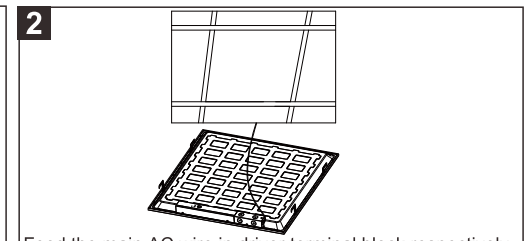
Wall Switch Instruction:

1. When you switch to "wall switch" gear, CCT starts at 5000K. Switch the wall switch "off-on" within 1 seconds, the CCT will change sequential by 5000K-3500K-4000K.
2. If stays "on" for more than 10seconds, CCT will be automatically memorized. The next time it will start at the memorized CCT
3. If the memorized CCT is found to be inconsistent after the lamps installed, it can be adjusted by "reset". Just make the wall switch "off-on" for twice within 1 second, all lamps will return to 5000K, then you can adjust them synchronously.

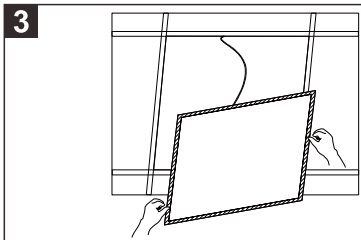
Recessed:



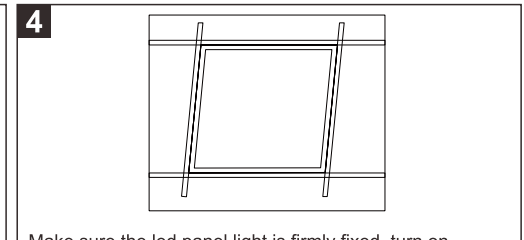
Remove the ceiling plaster slab.



Feed the main AC wire in driver terminal block respectively, connect the panel light and driver.

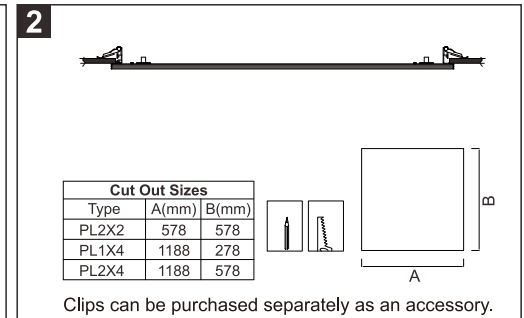
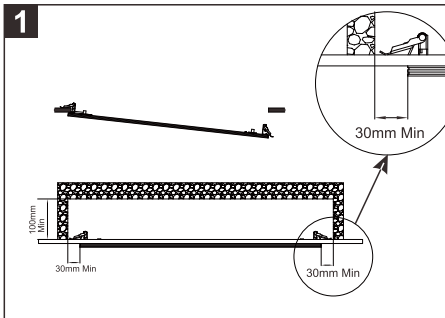


Fix the panel light into plaster ceiling.



Make sure the led panel light is firmly fixed, turn on the power.

Recessed Mounting(Clips)



Clips can be purchased separately as an accessory.

Warning:

Input wire diameter $\geq 0.75\text{mm}^2$;
Product modification and improper installation are not valid for warranty!