

**HYPERLITE**  
www.hi-hyperlite.com

A good & brand new product. Congrats!  
Enjoy brighter life now.

Feel free to contact us  
Email: [service@hi-hyperlite.com](mailto:service@hi-hyperlite.com)  
Toll-free number: +1(855) 688 7879



LED WORK LIGHT

RELIABLE SOLID BRIGHT

## LED WORK LIGHT



### FEATURES & SPECIFICATIONS

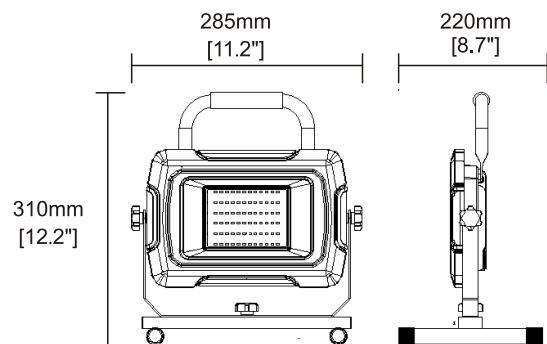
Performance Data		HP-JL-50W
General	Lumens	5000LM
	CCT	5000K
	CRI	>80
	Power	50W
Electrical	Input Voltage	AC 100-130V
	Power factor	>0.9
	Waterproof Rating	IP 65
	Life Span	20000 Hours
	Beam angle	110°
	LED	SMD2835
Options	Temperature	-4°F-104°F (-20°C - 40°C)
	Color Finish	Yellow & Black
	Material	Aluminum & Glass
	Warranty	2 Years

**ATTENTION PLEASE READ ALL INSTRUCTIONS BEFORE.**

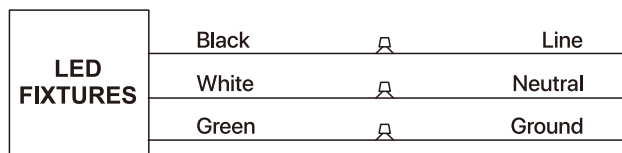
**▲ WARNING**

- \* To avoid damage, falling, electric shock or fire, please do not modify the lamp or replace accessories without confirming with the supplier.
- \* Connect cables to 100-130V power supply before installation. If you are unsure on how to connect to power, we highly recommend consulting with an electrician before proceeding.
- \* The best use and storage environment temperature of the product is -20°C to 40°C (-4°F to 104°F).
- \* Ensure that the product around the vent, the lamp can not violate any fire prevention regulations when using.
- \* This equipment is only for professional installation. Non-professional personnel shall not remove or install the equipment.
- \* Maintenance/installation and replacement the lamps , please confirm to cut off the power supply, and the lamps have set up a cooling. Please make sure the lamps are properly installed before processing power.

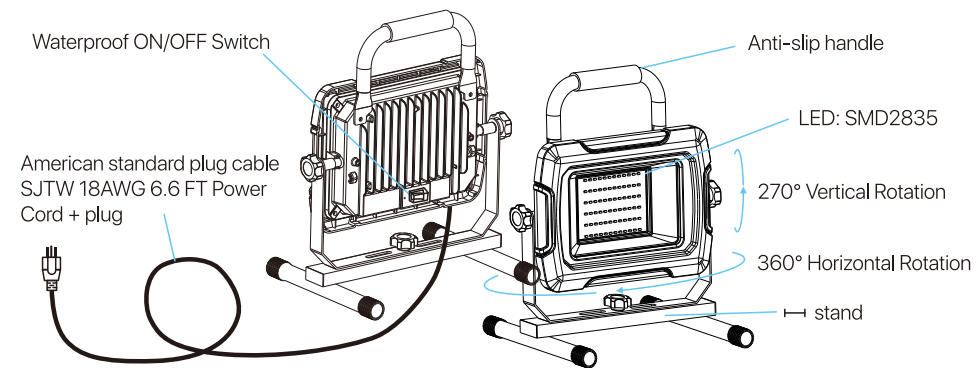
**DIMENSION**



**WIRING DIAGRAM**



**DESCRIPTION**



**INSTALLATION**

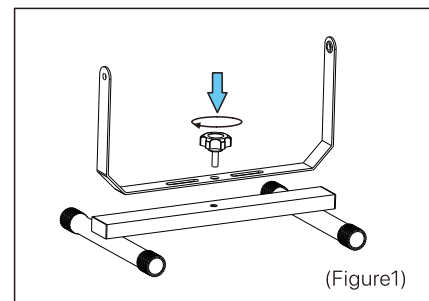


Figure1: Align the hole below the U Bracket to the nut hole on the stand and use a nut to hold the U Bracket and the stand, as shown in Figure 1.

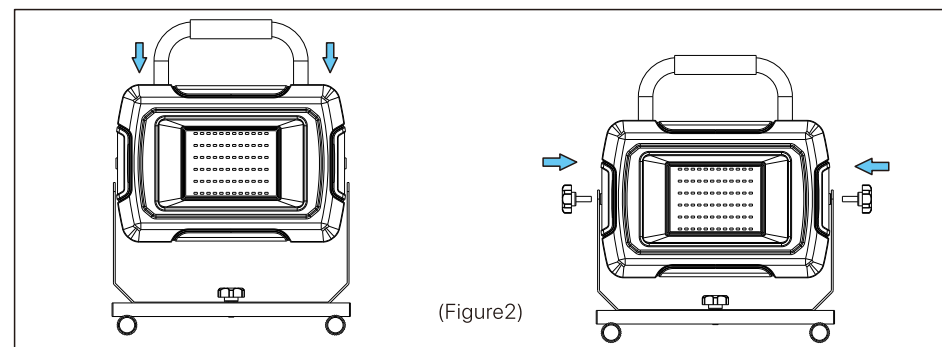


Figure 2: Align the U Bracket to the nut holes on the left and right sides of the lamp body, and secure the lamp body and the U Bracket with 2 hex nuts, as shown in Figure 2.

■ LED High Bay Light



Hero Black Series



Hero White Series



Radar Series



Saturn Series



Saturn Series



Ray Series

**HYPERLITE**  
www.hi-hyperlite.com



■ LED Wall Pack Light



Space Series



Oval Series



Wall. E Series

■ LED Area Light



Hope Series

■ LED Canopy Light



Vega Series

■ LED Flood Light



Mars Series

■ Vapor Tight Light



Capsule Series

■ Temporary Work Light



Hive Series

More products...