

**HYPERLITE**  
www.hi-hyperlite.com

**HYPERLITE**  
www.hi-hyperlite.com

A good & brand new product. Congrats!  
Enjoy brighter life now.

Feel free to contact us  
Email: [service@hi-hyperlite.com](mailto:service@hi-hyperlite.com)  
Toll-free number: +1(855) 688 7879



RELIABLE SOLID BRIGHT

## LED WORK LIGHT



### FEATURES & SPECIFICATIONS

Performance Data			
General	Lumens	12000lm	15000lm
	Efficacy	150 lm/W	
	CCT	5000K	
	CRI	>80	
Electrical	Power	80W	100W
	Input voltage	AC100-277V 50/60Hz	
	Surge protection	2000V	
	Power factor	>0.9	
Options	Operating	-104°F-131°F(-40-55°C)	
	Waterproof Rating	IP 64	
	Warranty	5 Years	

**ATTENTION**

PLEASE READ ALL INSTRUCTIONS BEFORE.

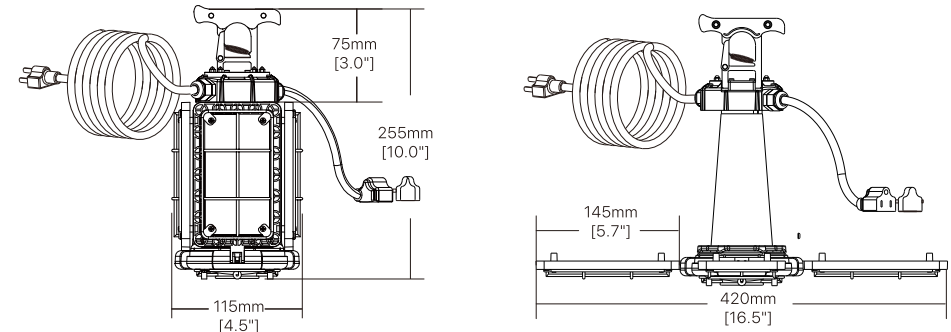
**▲ WARNING**

- \* This equipment is only for professional installation. Non-professional personnel shall not remove or install the equipment.
- \* To avoid damage, falling, electric shock or fire, please do not modify the lamp or replace accessories without confirming with the supplier.
- \* Connect cables to 100-277V power supply before installation. If you are unsure on how to connect to power, we highly recommend consulting with an electrician before proceeding.
- \* The best use and storage environment temperature of the product is -40°C to 55°C (-40°F to 131°F).
- \* Maintenance/installation and replacement the lamps, please confirm to cut off the power supply, and the lamps have set up a cooling. Please make sure the lamps are properly installed before processing power.
- \* Ensure the accurate and reliable connection.
- \* Ensure that the product around the vent, the lamp can not violate any fire prevention regulations when using.

**DESCRIPTION**



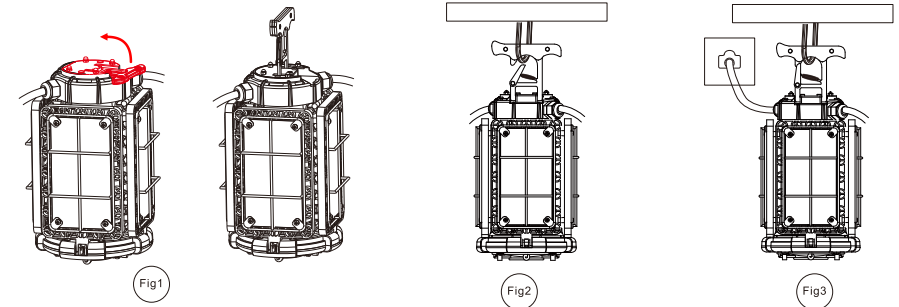
**DIMENSION**



**80W/100W**

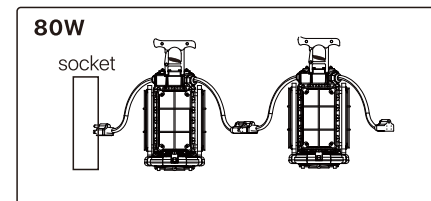
**MULTIPLE WAYS OF USE**

1. Check whether the appearance of the fixture is in good condition, stand the metal hook up. (Pic1)
2. Rotate the buckle of the hook and hang it on the ring or rope. (Pic 2)
3. Plug it and check if the light is normal. (Pic 3)

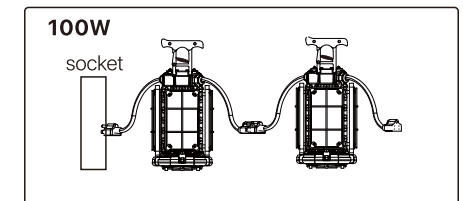


**CONNECTION**

Customer can choose to connect several work lights in series or not.



Additional work Light up to 15 pieces work lights maximum.



Additional work Light up to 10 pieces work lights maximum.

■ LED High Bay Light



Hero Black Series



Hero White Series



Radar Series



Saturn Series



Saturn Series



Ray Series

**HYPERLITE**  
www.hi-hyperlite.com



■ LED Wall Pack Light



Space Series



Oval Series



Wall. E Series

■ LED Area Light



Hope Series

■ LED Canopy Light



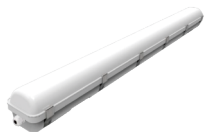
Vega Series

■ LED Flood Light



Mars Series

■ Vapor Tight Light



Capsule Series

■ Temporary Work Light



Hive Series

More products...