

**AFTER-SALES SERVICE CARD**

If you need any help or have any questions, please contact us.

Order Number: \_\_\_\_\_ Light Model: \_\_\_\_\_

Name: \_\_\_\_\_ Email: \_\_\_\_\_

Problem: \_\_\_\_\_ Date Of Manufacture: \_\_\_\_\_

**Warranty policy**  
 Warranty without return (Used)

**THREE-YEAR WARRANTY CHARGE DETAILS**

Size	Order Time		
	<1Y	1-2Y	2-3Y
<16*14*8 inch	Free exchange	\$10+SP*30%	\$10+SP*50%
>16*14*8 inch		\$20+SP*30%	\$20+SP*50%

Remarks: 1.M:month; Y:year; 2.SP:the price you ordered the light; 3.Size:Product packaging size.  
 NOTE: The invoice and some photos or videos that can illustrate the light error is needed when ask for warranty things.

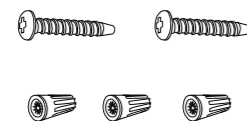
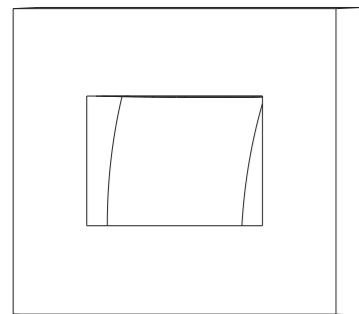
**Return policy**

- Item must be in original packaging.
- Item must not have been installed or used.
- Packaging material (l. e. wrapping, clam shes) must not have been destroyed or broken.

Note: Buyer fails damage or force majeure damage are not covered by the warranty.  
 If the product has quality problems, please contact Glitgate: service@glitgate.com



## PRODUCT DIAGRAM

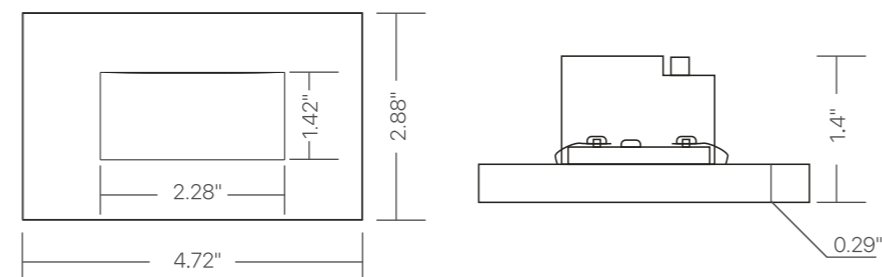


## MODEL LIST

Power	3W
Input Voltage(60Hz)	120V AC
Lumens	50lm
Correlated Color Temperature	2700K/3000K/3500K/4000K/5000K
Color Rendering Index	≥90
Waterproof Rate	IP65
Color	ORB
Working Temperature	-15°C~50°C
Lifetime	> 50,000 Hours
Dimming	Triac 10%~100%
Certificate	ETL, FCC
Warranty	3 Years
Cord Length Exposed	170mm±10

01

## DIMENSION



## ATTENTION

PLEASE READ AND UNDERSTAND THE ENTIRE MANUAL BEFORE OPERATING OR INSTALLING THIS PRODUCT.

1. Turn power off before installation, inspection, or removal.
2. Use all necessary precautions while performing this procedure.
3. Consult a qualified electrician to ensure correct branch circuit conductor. Min 90°C supply conductors.
4. Properly ground electrical enclosure. It is imperative that the outlet box be properly grounded.
5. Do not reverse the hot and neutral connections, otherwise safety will be compromised.
6. This Integrated LED Fixture has no lamp/bulb to replace.
7. Make sure that you select right CCT before you put on the cover, it is difficult to open the face cover once you fix it.
8. Please Do not submerge the light body into water install it in area with high salt moisture or corrosive environment will lead to fast corrosion since it is not design for this purpose.



## TROUBLESHOOTING

1. Check that line voltage at fixture is correct.
2. Ensure that there is voltage at lamp fixture wires. If there is no voltage, then check all connections.
3. Check that fixture is grounded properly.
4. If fixture does not light.
5. Check switch to ensure that there are no defects.
6. Check fuse/circuit breaker for trips, then check wiring connections.

02

## CLEANING AND MAINTENANCE:

1. CAUTION: Ensure fixture temperature is cool enough to touch.
2. DO NOT clean or perform maintenance while fixture is energized.
3. Clean lens and fixture with non-abrasive cleaning solution.
4. Do not open fixture to clean LED. Do not touch the LED.
5. Do not spray liquid directly on to LED, LED driver or wiring.

## GENERAL:

1. All electrical connections must be in accordance with local and National Electrical Code (NE.C) standards.
2. If you are unfamiliar with proper electrical wiring connections, contact and obtain the services of a qualified electrician.
3. Use UL or IEC approved wire only for input/output connections.
4. Remove fixture and mounting components from the box, and make sure that no parts are missing, by referencing the illustration in the illustration instructions.

## DIMMING:

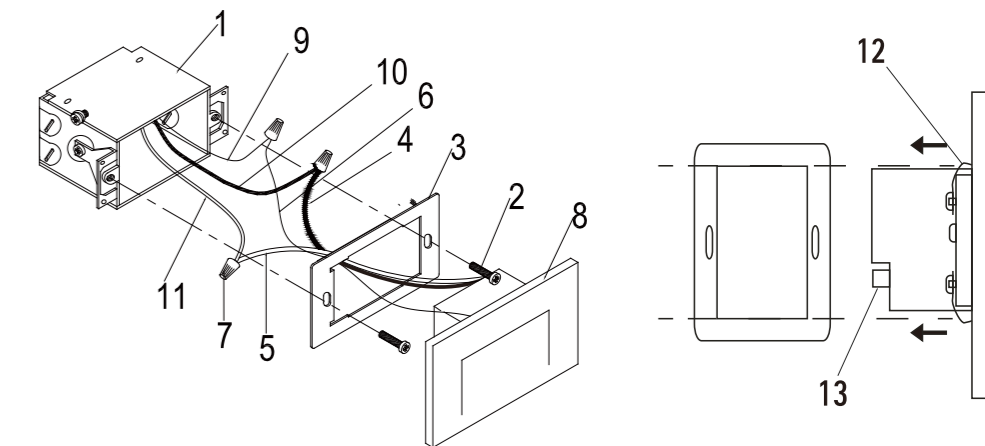
This product is compatible with most common residential type dimmers. Dimming performance will depend upon dimmer, dimmer settings (dimmers with adjustments to brightness range), wiring method, and number of LED modules. For best results, set dimmer position at maximum before adjusting to a lower light level.

## WARM TIPS

1. Can be installed indoor and outdoor, LED chip is coated with waterproof paint, CCT switch and LED driver are potted with heat dissipated compound, it can be fixed in different kind of outlet boxes, such as plastic, steel, aluminum or concrete.
2. Also is suitable for high moisture environment or high temperature application (not exceed 50 degree).
3. Submerging into water is prohibited since the design is not for this application, product may fail in short term, also cause your warranty void.
4. This device complies with Part 15 of the FCC Rules Operation is subject to the following two conditions: (1) this device may not cause harmful interference, and (2) this device must accept any interference received, including interference that may cause undesired operation.

03

## FIXTURE INSTALLATION



1. OUTLET BOX (EXCLUDED)
2. FIXTURE SCREWS \*
3. MOUNTING BRACKET
4. BLACK FIXTURE WIRE
5. WHITE FIXTURE WIRE
6. FIXTURE GROUND WIRE
7. WIRE NUTS

8. LIGHT BODY INTERGRATED WITH FACE COVER
9. HOUSE GROUND WIRE
10. LIVE WIRE
11. NEUTRAL WIRE
12. SPRING CLIP
13. 5CCT SWITCH

## INSTALLATION INSTRUCTIONS

1. Fix the Mounting Bracket (3) to the OUTLET BOX (1) with attached FIXTURE SCREW (2).
2. Pull the supply wires out from the OUTLET BOX (1). Identify the live wire, neutral wire, and ground wire (If you have problem to figure it out, please consult a qualified electrician before proceeding with the wiring). Then, connect the LIVE WIRE (10) to the BLACK WIRE (4), NEUTRAL WIRE (11) with WHITE WIRE (5), and the GROUND WIRE (9) with GROUND WIRE (6) with the WIRE NUTS (7) attached. Please ensure that all wires are firm connection, and then seal wire nuts with silicone for long-term stability.
3. Select the CCT from 2700K/3000K/3500K/4000K/5000K by toggling the switch left or right. **WARNING:** To check the CCT at this stage by turning on switch, once you have confirmed the light color, turn off switch. Please note that after installation, it may be difficult to remove the LIGHT BODY (8) to change the CCT, as the connection between the LIGHT BODY (8) and the MOUNTING BRACKET is firm, it may damage the SPRING CLIP (12), eventually, you can't attach it to MOUNTING BRACKET (3) again.
4. Check the MOUNTING BRACKET (3) is fixed flat on the surface of the OUTLET BOX (1). Press the SPRING CLIP (12) evenly into the MOUNTING BRACKET (3) until all clips have a good connection with the edge of the MOUNTING BRACKET (3).
5. Installation is complete.  
For outdoor applications: Caulk the connection area between the face cover and the wall with outdoor rated sealant for stable performance.

04