



Be with you from dusk to dawn

CARE & MAINTENANCE

01. Before attempting to clean the fixture, disconnect the power by turning off the breaker or by removing the fuse from the box.

02. DO NOT USE ANY CLEANERS WITH CHEMICALS, SOLVENTS OR HARSH ABRASIVES.

TROUBLESHOOTING

If all lights are not working properly:

- Check if the power is turned on.
- Check to make sure the input voltage is 12-24V.
- Check to make sure that the transformer is properly connected.

If some lights are not working properly:

- Check the wiring, make sure that all connections between the lights and the main power cord are tightened properly.
- Check the connectors, if any, make sure that connectors work correctly. If the lights still do not work after several adjustments, please contact our customer service as soon as possible.



AFTER-SALES SERVICE CARD

If you need any help or have any questions, please contact us.

Order Number: _____ Light Model: _____

Name: _____ Email: _____

Problem: _____ Date Of Manufacture: _____

Warranty policy

Warranty without return (Used)

THREE-YEAR WARRANTY CHARGE DETAILS

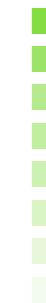
Size	Order Time		
	<1Y	1-2Y	2-3Y
<16*14*8 inch	Free exchange	\$10+SP*30%	\$10+SP*50%
>16*14*8 inch		\$20+SP*30%	\$20+SP*50%

Remarks: 1.M:month; Y:year; 2.SP:the price you ordered the light; 3.Size:Product packaging size.

NOTE: The invoice and some photos or videos that can illustrate the light error is needed when ask for warranty things.

Return policy

- Item must be in original packaging.
 - Item must not have been installed or used.
 - Packaging material (L.e. wrapping, clam shes) must not have been destroyed or broken.
- Note: Buyer fails damage or force majeure damage are not covered by the warranty.
If the product has quality problems, please contact Glitgate: service@glitgate.com



USER MANUAL



Be with you from dusk to dawn

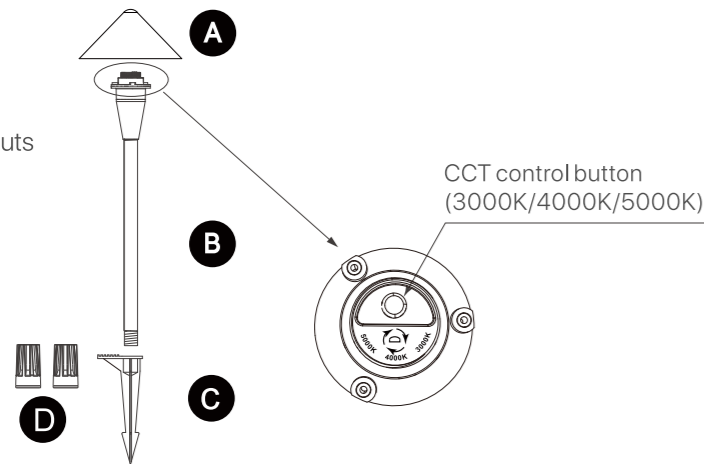
LOW VOLTAGE
LANDSCAPE PATH LIGHT



PRODUCT DIAGRAM



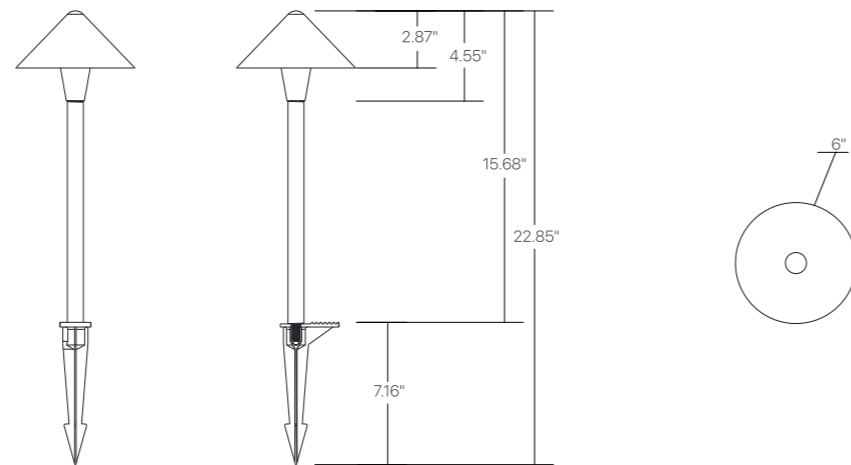
- A: Shade
- B: Light bar
- C: Stake
- D: Waterproof wire nuts



MODEL LIST

Power	5W
Input Voltage(60Hz)	AC/DC 12-24V
Lumens	120lm
Correlated Color Temperature	3000K/4000K/5000K
Color Rendering Index	≥90
Waterproof Rate	IP65
Color	ORB
Cable Length	3.93 feet
Working Temperature	-15°C-50°C
Lifetime	> 50,000 Hours
Certificate	ETL,FCC
Warranty	3 Years

DIMENSION



ATTENTION

PLEASE READ AND UNDERSTAND THE ENTIRE MANUAL BEFORE OPERATING OR INSTALLING THIS PRODUCT.

1. ONLY use this fixture on 12-24V AC/DC circuits.
2. The maximum load (combined total wattage of all fixtures) should NOT exceed 80% of the total power rating of the transformer.
3. The wire is intended for shallow burial (less than 6 inches deep).
4. Install ALL fixtures at least 10ft away from pools, spas, or fountains.
5. Keep the fixtures away from flammable or combustible materials.
6. DO NOT touch the lens, guard, or fixture housing while in use.
7. DO NOT operate or install a fixture with missing or damaged parts.
8. DO NOT submerge this fixture in water as this may damage it.
9. Vertically mount the transformer at least 12 inches above the ground.
10. Keep this fixture out of the reach of children under 3 years old.
11. DO NOT connect this fixture to electrical systems that DO NOT have grounding.



INSTALLATION INSTRUCTIONS

Step 1: Prepare a 120V to 12-24V transformer (not included), a main power cord (not included), waterproof wire nuts and the whole set of light fixtures.

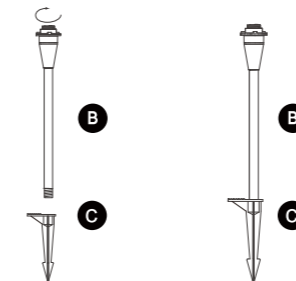
NOTE: The total power of the light fixtures should NOT exceed 80% of the total rating of the transformer. It is recommended to use 12AWG, 14AWG, 16AWG or 18AWG as the main power cord.

Step 2: Turn the power off, and connect the main power cord to the transformer.

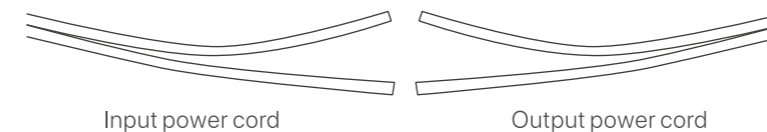
Step 3: Move the main power cord to the proper position of the light fixture.

Step 4: Swivel the light bar (B) onto the stake (C) (Fig. 1), then put them in the positions you want.

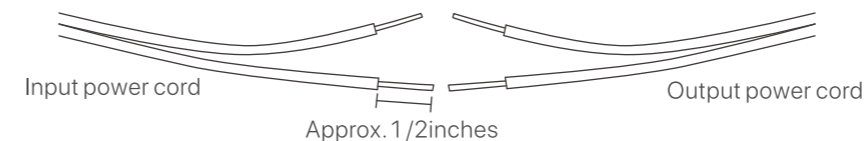
Fig.1



Step 5: Cut the main power cord into two parts and separate the main power cord into two wires from the ends until there's enough length to connect a fixture.



Step 6: Strip approximately 1/2 inches of insulation off the ends.

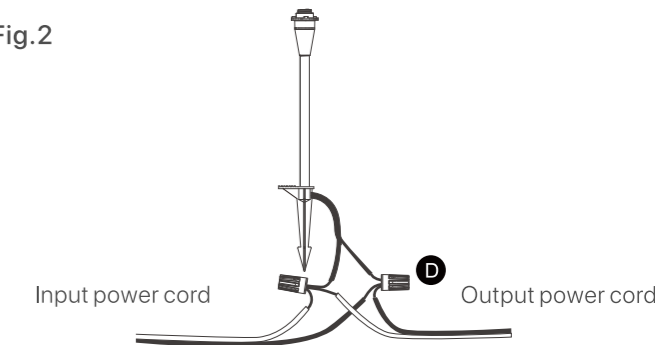


Step 7: Separate the fixture wire into two wires. Connect one input power cord, one output power cord and a fixture wire together through waterproof wire nuts (D) (Fig. 2). Fasten the wires tightly together and make sure there isn't a loose wire. Continue to install the rest of the light fixtures by repeating Steps 4 to 7.

NOTE: If using connectors (not included) to install, attach the light fixture wires to the connectors and attach the connector to the main power cord. There is no need to strip the main power cord. If using waterproof wire nuts to install, please follow Steps 5 to 7 to reach the performance.

INSTALLATION INSTRUCTIONS

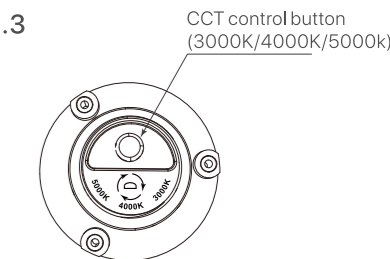
Fig.2



Step 8: After finishing the wire connection, turn on the power, and select the color temperature from 3000K, 4000K and 5000K with the button shown in Fig. 3. Make sure all fixtures are working well, and the color temperature is what you need.

Step 9: Turn the power off again. Use a shovel to loosen the ground or soften it with water, then insert the fixture into the ground. And place the wires inside the dug ditch, then cover the wires with the surrounding dirt.

Fig.3



NOTE: DO NOT use a hammer. DO NOT attempt to use your weight to push the fixture into the ground. If your layout requires shorter distances between fixtures, roll up and bury the excess wire.

Step 10: Swivel the shade (A) onto the light bar (B), and turn on the power to check again. Then finish the installation. (Fig. 4)

Note: Transformer and main cord are not included.

Fig.4

