

**HYPERLITE**

[www.hi-hyperlite.com](http://www.hi-hyperlite.com)

**HYPERLITE**

[www.hi-hyperlite.com](http://www.hi-hyperlite.com)

A good & brand new product. Congrats!  
Enjoy brighter life now.

Feel free to contact us  
Email: [service@hi-hyperlite.com](mailto:service@hi-hyperlite.com)  
Toll-free number: +1(855) 688 7879



**HIVE SERIES**

LED WORK LIGHT

RELIABLE SOLID BRIGHT

## LED WORK LIGHT HIVE Series



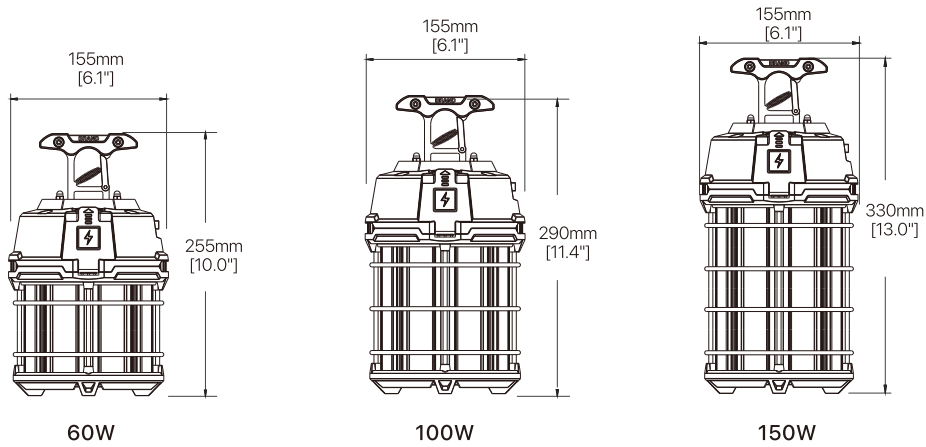
### FEATURES

- 6KV Surge Protection, lamp can bear sudden high voltage.
- 50,000hours life span with 5 years warranty.
- Painted metal guard for impact protection.
- 10ft cord with plug suitable for huge construction area.



### SPECIFICATIONS

Performance Data		W3-6-50	W3-10-50	W3-15-50
General	Lumens	7500 lm	12500 lm	18750 lm
	Efficacy	125 lm/W		
	CCT	5000K		
	CRI	>80		
	Life span	>50,000 hours		
Electrical	Power	60W	100W	150W
	Input voltage	AC 120V		
	Surge protection	6KV		
	Power factor	>0.9		
Options	Operating	-40°F to 113°F (-40°C to 45°C)		
	Listings	UL, cUL, FCC		
	Warranty	5 Years		

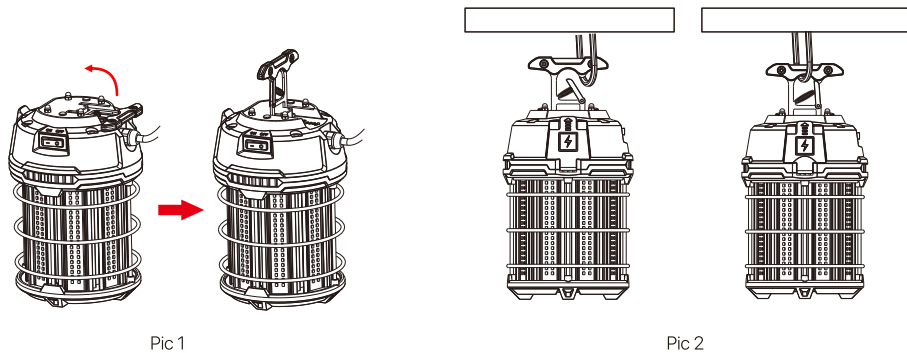


**PACKAGING INFORMATION**

Model	Wattage	Qty	Net Weight	Gross Weight	CTN Size
W3-6-50	60W	1	3.9 ± 1lbs	4.5 ± 1lbs	11.3**7.3**7.7"
W3-10-50	100W	1	4.6 ± 1lbs	5.2 ± 1lbs	12.6**7.3**7.7"
W3-15-50	150W	1	5.3 ± 1lbs	6.0 ± 1lbs	14.2**7.3**7.7"

**INSTALLATION**

1. Check whether the appearance of the fixture is in good condition, stand the metal hook up. (Pic1)
2. Rotate the buckle of the hook and hang it on the ring or rope. (Pic 2)



**CONNECTION**

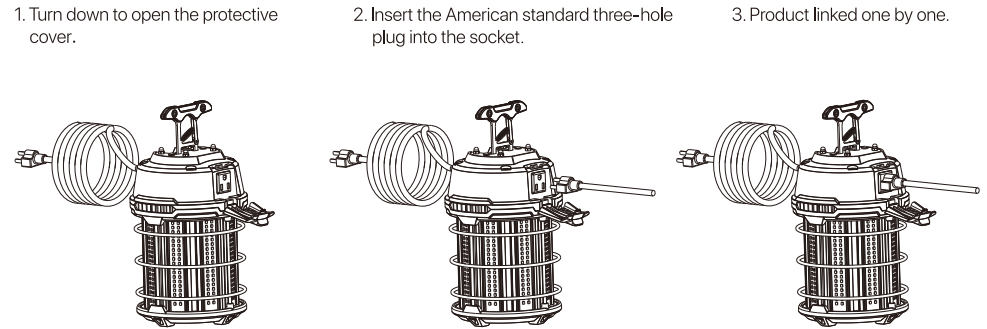
Hidden & built-in connector design. Customer can choose to connect several work lights in series or not. Suitable for damp location.



**- Linking Additional Units**

When adding units, turn cage light off prior to adding the additional units. Max 6x150W can be linked on one string of lights and must NOT EXCEED 8A.

Wattage	UL Current@120V	Link-able Qty's
150W	1.5	6 PCS
100W	1	8 PCS
60W	0.6	12 PCS



# HYPERLITE LED Luminaire

## LED Work Light (Hive Series)

### UL CERTIFICATION

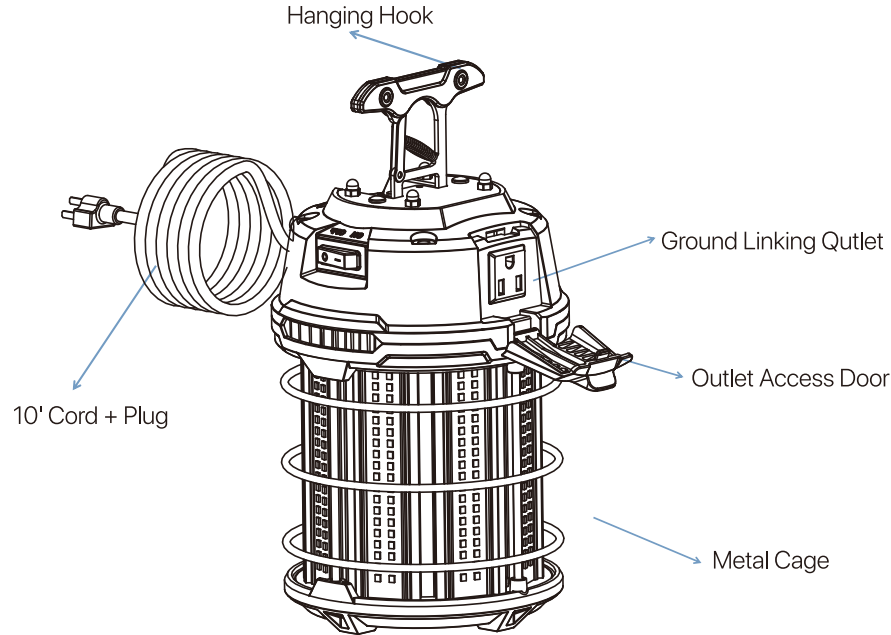
Certificate Number: E503681  
 Report Reference: E503681  
 Issue Date: 24-Jan-2023



**Additional Information:**

See the UL Online Certifications Directory at [www.ul.com/database](http://www.ul.com/database) for additional information.

- ▲ Only those products bearing the UL Certification Mark should be considered as being covered by UL's Certification and Follow-Up Service.
- ▲ Look for the UL Certification Mark on the product.



## ATTENTION BEFORE YOU INSTALL

Read these instructions completely and carefully.

<b>⚠ WARNING</b>
<p><b>RISK OF ELECTRIC SHOCK</b></p> <ul style="list-style-type: none"> <li>• Turn power off before inspection, installation or removal.</li> <li>• Properly ground electrical enclosure.</li> <li>• Follow all NEC and local codes.</li> <li>• Use only UL or IEC approved wire for input/output connections.</li> </ul>

### Save These Instructions

Use only in the manner intended by the manufacturer.  
 If you have any questions, contact the manufacturer.

## Prepare Electrical Wiring

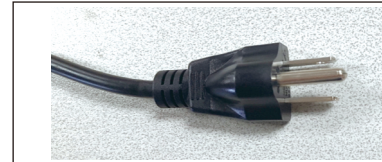


**Electrical Requirements**  
 The LED driver must be supplied with 120VAC, 60Hz per product label and connected to an individual properly grounded branch circuit, protected by a 15 or 20 ampere circuit breaker.



**Grounding Instructions**  
 The grounding and bonding of the overall system shall be done in accordance with National Electric Code (NEC) Article 600 and local codes.

Note: This equipment has been tested and found to comply with the limits for a Class A digital device, pursuant to part 15 of the FCC Rules. These limits are designed to provide reasonable protection against harmful interference when the equipment is operated in a commercial environment. This equipment generates, uses, and can radiate radio frequency energy and, if not installed and used in accordance with the instruction manual, may cause harmful interference to radio communications. Operation of this equipment in a residential area is likely to cause harmful interference in which case the user will be required to correct the interference at his own expense.



Please check that the plug is in good condition. Install the lamp and plug it into the socket. Then you can test the light fixture.

## APPLICATION

Task lighting, commercial lighting, work areas etc.



## FOOTCANDLE LIGHT GUIDE

Footcandles are the most common unit of measure used by lighting professionals to calculate light levels in businesses and outdoor spaces. A footcandle is defined as the illuminance on a one square foot surface from a uniform source of light. The Illuminating Engineering Society (IES) recommends the following footcandle levels to ensure adequate illumination and safety for occupants. Below is a guideline for common areas to assist in achieving appropriate light levels with the greatest energy-efficiency.

Building Area & Task	Average Maintained Footcandles (Horizontal) (FC)	Range of Maintained Footcandles (Horizontal) (FC)	Average Maintained Footcandles (Vertical) (FC)	Range of Maintained Footcandles (Vertical) (FC)	Comments
----------------------	--	---	--	---	----------

### WAREHOUSING & STORAGE

Bulky Items—Large Labels	10		5		
Small Items—Small Labels	30		15		
Cold Storage	30-40	10-30	10	5-15	
Open Warehouse	30-40	10-30			
Warehouse w/Aisles	30-40	10-30	10	5-15	

### COMMERCIAL OFFICE

Open Office	40	30-50			@30" Above Finished Floor (AFF)
Private Office	40	30-50			@30" AFF
Conference Room	30				Matte surface reflectance for the table 40% recommended
Restroom	18	75-30			
Lunch & Break Room	15	5-20			

### EDUCATIONAL (SCHOOLS)

Classroom	40	30-50			@30" AFF
Gymnasium					
Class I (Pro or Div. 1 College)	125		30		
Class II (Div. 2 or 3 College)	80		20		
Class III (High School)	50		150		
Class IV (Elementary)	30		100		
Auditorium	75	3-10	5	2.5-10	
Corridor	25	10-40			

▲ This guide is a collaborative effort of Energy Trust of Oregon and the Lighting Design Lab, Seattle, Washington.

Building Area & Task	Average Maintained Footcandles (Horizontal) (FC)	Range of Maintained Footcandles (Horizontal) (FC)	Average Maintained Footcandles (Vertical) (FC)	Range of Maintained Footcandles (Vertical) (FC)	Comments
----------------------	--	---	--	---	----------

### INDUSTRIAL/MANUFACTURING

#### Assembly

Simple (Large Item)	30		15	15-60	
Difficult (fine)	100	10-30	10	50-200	
Component Manufacturing					
Large	30	10-30	30	15-60	
Medium	70-80	25-100	50	25-100	

#### EXTERIOR

Parking (Covered)	5				1FC min, 10:1 Max to Min Uniformity
Parking (Open) (Medium Activity)					
Lighting Zone 3 (Urban)	1.5	75-3	0.8	0.4-1.6	
Lighting Zone 2 (suburban)	1	0.5-2	0.6	0.3-1.2	
Gas Station Canopy	12.5	10-15			
Safety (Building Exterior)	1	0.5-2			If security is an issue—raise average level to 3

#### RETAIL

General Retail (Ambient)		50			
Department Store	40	20-80	15	7.5-30	
Perimeter			75	35-150	
Accent Lighting (Displays)					3-10 times greater than ambient light levels

#### AUTOMOTIVE

Showroom	70-80	25-100	10	7.5-30	
Service Area	50	25-10	30	15-30	
Sales Lot (Exterior)					
Lighting Zone 3 (Urban)	20	10-40	20	10-40	
Lighting Zone 2 (Suburban)	15	7.5-30	15	7.5-30	

#### GROCERY

Circulation	20	10-40	7.5	3.5-15	
General Retail	70-80	25-100	20	10-40	
Perimeter			50	25-100	

#### BANKING

ATM	20	10-40	15		Vertical at face of ATM
-----	----	-------	----	--	-------------------------

#### NOTES:

- This guide is based on information gathered from the IES 'The Lighting Handbook' 10th Edition. It is highly recommended that all lighting professionals refer to the full IES guide when specifying lighting projects.
- At least half of users are in the 25 - 65 age range.

- Horizontal—horizontal plane that average maintained foot-candles are measured.
- Vertical—vertical plane the average maintained foot-candles are measured.
- It is the responsibility of the designer to determine and provide appropriate lighting levels for each space.

■ LED High Bay Light



Hero Black Series



Hero White Series



Radar Series



Saturn Series



Saturn Series



Ray Series

■ LED Wall Pack Light



Space Series



Oval Series



Wall. E Series

■ LED Area Light



Hope Series

■ LED Canopy Light



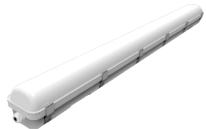
Vega Series

■ LED Flood Light



Mars Series

■ Vapor Tight Light



Capsule Series

■ Temporary Work Light



Hive Series

**HYPERLITE**  
www.hi-hyperlite.com



More products...