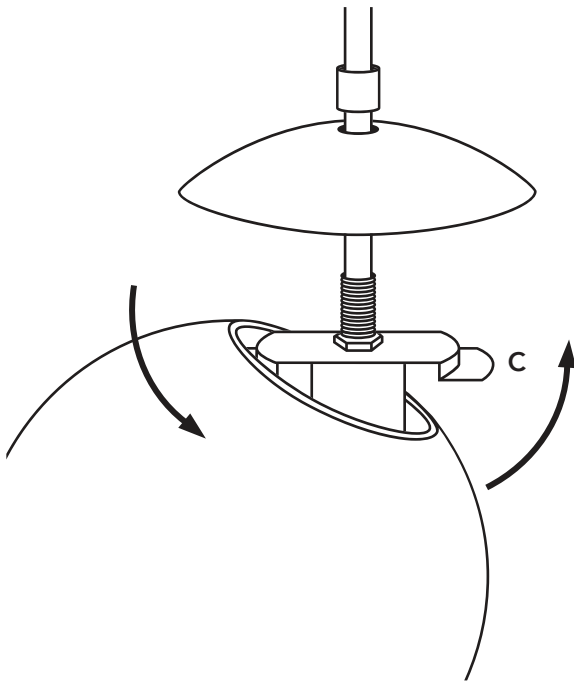


- 01** Double check that the correct bulb is installed in the fixture and that the bulb is functioning properly. Wear clean gloves to protect the finish of your fixture.

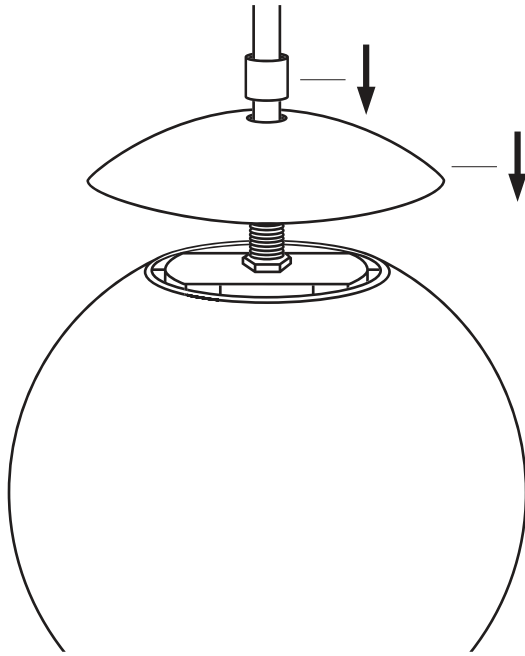
To install the glass shade, unscrew the fitter coupling (A) and slide both the coupling and the shade cap (B) up the tube.

Center the opening of the glass shade under the fixture.

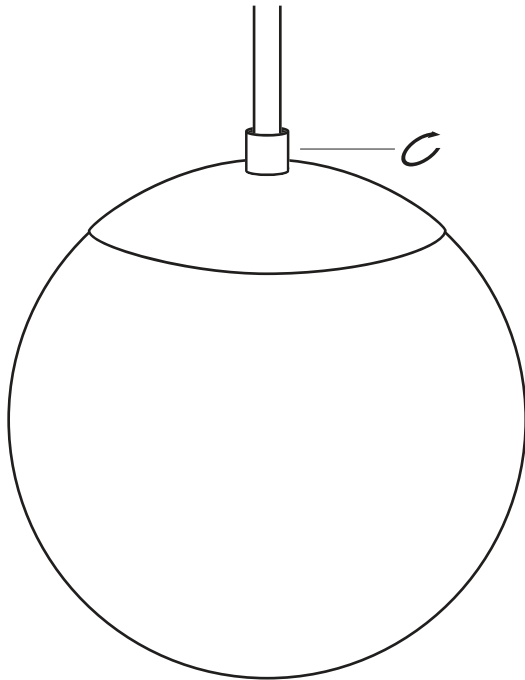


- 02** Carefully lift the glass shade over the bulb and socket. Tilt the shade and guide it on to the shade holder (C).





- 03** Center the shade holder so that it nests evenly inside the shade opening. Slide the shade cap and coupling down the tube.



- 04** Hand tighten the coupling to secure the shade in place.

Tighten the coupling only enough to secure the shade in place. Overtightening may cause damage to the glass shade and/or other fixture components.

**FINISHED!** Please save these instructions with your owner's manual for future use when changing light bulbs.