



Liberty® L234 Gas Insert

MODELS: L234-NG10 Natural Gas L234-LP10 Propane

Owners & Installation Manual



Liberty L234 Product Video

⚠ WARNING

FIRE OR EXPLOSION HAZARD

Failure to follow safety warnings exactly could result in serious injury, death, or property damage.

- Do not store or use gasoline or other flammable vapors and liquids in the vicinity of this or any other appliance.
- **WHAT TO DO IF YOU SMELL GAS**
 - Do not try to light any appliance.
 - Do not touch any electrical switch: do not use any phone in your building. Leave the building immediately.
 - Immediately call your gas supplier from a neighbour's phone. Follow the gas supplier's instructions.
 - If you cannot reach your gas supplier, call the fire department.

Installation and service must be performed by a qualified installer, service agency or the gas supplier.

Tested by:



Installer: Please complete the details on the back cover and leave this manual with the homeowner.

Homeowner: Please keep these instructions for future reference.


REGENCY GAS FIREPLACE INSERT

TO THE NEW OWNER

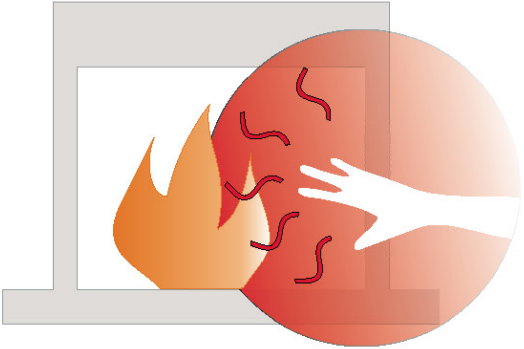
Congratulations! You are the owner of a state-of-the-art Gas Insert by Regency.

The L234 Direct Vent Gas Insert has been designed to provide you with all the warmth and charm of a fireplace, at the flick of a switch. The L234-NG10 and L234-LP10 have been approved by Warnock Hersey /Intertek for both safety and efficiency.

As it also bears our own mark, it promises to provide you with economy, comfort and security for many trouble free years to follow. Please take a moment now to acquaint yourself with these instructions and the many features of your Regency Fireplace.



DANGER



**HOT GLASS WILL
CAUSE BURNS**

**DO NOT TOUCH GLASS
UNTIL COOLED**

**NEVER ALLOW CHILDREN
TO TOUCH GLASS**

A barrier designed to reduce the risk of burns from the hot viewing glass is provided with this appliance and shall be installed for the protection of children and other at risk individuals.

CAUTION:
HOT WHILE IN OPERATION. DO NOT TOUCH.
**SEVERE BURNS MAY RESULT. KEEP CHILDREN, CLOTHING, FURNITURE,
 GASOLINE, AND ANY LIQUIDS WITH FLAMMABLE VAPOURS AWAY.**

KEEP BURNER AND CONTROL COMPARTMENT CLEAN.
**SEE INSTALLATION AND OPERATING INSTRUCTIONS ACCOMPANYING
 APPLIANCE.**

919-358

NATIONAL
FIREPLACE
INSTITUTE



CERTIFIED
www.nficertified.org

We recommend that our products be installed and serviced by professionals who are certified in the U.S. by the National Fireplace Institute® (NFI) or in Canada by Wood Energy Technical Training (WETT).



Liberty L234 Product Video



*Regency Liberty
Gas Inserts Benefits Video*

Installation

MA Code - CO Detector5
 (for the State of Massachusetts only)5
 For Your Safety7
 Important Message8
 Gas Pressure Testing8
 Specifications8
 Gas Pressure Testing9
 Installation Into A Solid Fuel Burning Fireplace
 Or Factory Built Fireplace9
 Before You Start.....9
 Factory-Built (Metal) Wood-Burning Fireplace
 Requirements9
 Installation Checklist.....10
 Materials Required10
 Minimum Fireplace Opening.....10
 Minimum Clearances To Combustibles.....11
 Combustible Mantel Clearances.....11
 Venting.....12
 Converting from 3" & 3" venting to 3" & 2".....13
 Vent Restrictor Position13
 Flue Liner Installation14
 Gas Connection14
 Gas Insert Aeration adjustment.....15
 Gas Pipe Pressure Testing16
 SIT 829 Valve Description16
 Conversion from NG to LP.....17
 Optional Brick Panel Installation18
 Safety screen install19
 Glass door removal/install19
 Log Set Installation20
 Low profile faceplate Installation.....24
 Hearth trim Installation25

Wiring Diagrams26
 Optional Wall Thermostat27
 Final Check.....27
 DC Spark Igniter.....27
 Battery Installation27
 First Fire28

Operating Instructions

Operating Instructions28
 Lighting Procedure28
 Shutdown Procedure28
 Copy Of Lighting Instruction Plate29
 Normal Operating
 Sounds Of Gas Appliances29

Maintenance

Maintenance Instructions30
 Log Replacement30
 Glass Gasket.....30
 General Vent Maintenance30
 Door Glass30
 Fan Replacement31
 Valve Replacement.....33

Parts

Main Assembly35

Warranty

Warranty38

This appliance does not have the capability to adjust the fan speed using the supplied remote—even though the remote transmitter allows this function. The appliance fan is controlled by a fan speed controller (rheostat) or on/off switch depending on the model.

4 | safety decal

This is a copy of the labels that accompany each L234 Gas Insert. We have printed a copy of the contents here for your review. The safety label is located on a plate inside the base of the unit visible when the bottom louver is opened. Ensure that the safety label is attached to the unit.

NOTE: Regency units are constantly being improved. Check the label on the unit and if there is a difference, the label on the unit is the correct one.


For the State of Massachusetts, installation and repair must be done by a plumber or gasfitter licensed in the Commonwealth of Massachusetts.

For the State of Massachusetts, flexible connectors shall not exceed 36 inches in length.

For the State of Massachusetts, the appliances individual manual shut-off must be a t-handle type valve.

The State of Massachusetts requires the installation of a carbon monoxide alarm in accordance with NFPA720 and a CO alarm with battery back up in the same room where the gas appliance is installed.

Duplicate Serial number / Copie No de série **332**



Listed: VENTED GAS FIREPLACE HEATER /
FOYER AU GAZ À ÉVACUATION
Certified for/Certifiée pour: CANADA and U.S.A.
Certified to: CAN/CGA-2.17-M91(R2009)
Tested to: ANSI Z21.88-2014 & CSA 2.33-2014

**DO NOT REMOVE THIS LABEL /
NE PAS ENLEVER CETTE ÉTIQUETTE**

332

Serial No. / No de série

Model/Modèle:
L234-NG10

NATURAL GAS FIREPLACE INSERT: MODEL L234-NG10 ÉQUIPÉ EN USINE POUR GAZ NATUREL

Factory Equipped For Altitude 0-4500ft. (0-1370m)

Min. Supply Pressure	5" WC	(1.25 kpa)	Pression d'alimentation minimum
Low Setting Man. Pressure	1.1" WC	(0.27 kpa)	Pression de sortie (manifold) - basse
Max. Manifold Pressure	3.8" WC	(0.95 kpa)	Pression de sortie (manifold) - max.
Orifice Size	42	DMS	Dimensions de l'orifice
Minimum Input	12,500	Btu/h (3.69 kW)	Débit calorifique minimum
Maximum Input	23,500	Btu/h (6.96 kW)	Débit calorifique maximum

Model/Modèle:
L234-LP10

Model/Modèle:
L234-LP10

PROPANE GAS FIREPLACE INSERT: MODEL L234-LP10 ÉQUIPÉ EN USINE POUR GAZ PROPANE

Factory Equipped For Altitude 0-4500ft. (0-1370m)

Min. Supply Pressure	12" WC	(2.99 kpa)	Pression d'alimentation minimum
Low Setting Man. Pressure	2.9" WC	(0.72 kpa)	Pression de sortie (manifold) - basse
Max. Manifold Pressure	11" WC	(2.74 kpa)	Pression de sortie (manifold) - max.
Orifice Size	54	DMS	Dimensions de l'orifice
Minimum Input	11,000	Btu/h (3.20 kW)	Débit calorifique minimum
Maximum Input	21,500	Btu/h (6.32 kW)	Débit calorifique maximum

Mantel Clearances / Dégagements manteau

Alcove Width / Largeur alcôve E 66" (1524mm)

Alcove Depth / Prof. alcôve F 36" (914mm)

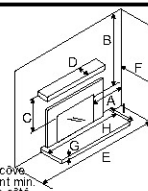
**Non-Combustible Hearth Extension/
Extension socle non combustible**

Hearth Height / Hteur socle G 1-1/2" (38mm)

Hearth Width / Largeur socle H 28" (711mm)

Hearth Depth / Prof. socle I 12" (305mm)

* Alcove side wall must have a min. of 8" clearance on one side. *La paroi latérale de l'alcôve doit avoir un dégagement min. de 8 po par rapport à un coin.




Fan Part No. 910-331/P / Pièce ventilateur n°910-331/P
ELECTRICAL SUPPLY/ALIMENTATION ÉLECTRIQUE:
115V60HZ less than/Moins de 2 AMP.

**Minimum Clearances to Combustibles from Insert/
Dégagements min. des matériaux combustibles à l'encastrable**

Side Walls / Parois latérales	*A	8" (203mm)
Ceiling / Plafond	B	56" (1422mm)
Min. Mantel Height/Hteur min. manteau	C	21" (533mm)
Max. Mantel Depth/Prof. max. manteau	D	12" (914mm)
Alcove Width / Largeur alcôve	E	76" (1930mm)

FPI Fireplace Products International Ltd.,
Delta BC, CANADA



MADE IN CANADA / FABRIQUÉ AU CANADA

This appliance must be installed in accordance with local codes, if any; if none, follow the National Fuel Gas Code, ANSI Z223.1, or Natural Gas and Propane Installation Code, CSA B149.1.

This appliance must be installed in accordance with the Standard CAN/CSA Z240 MH, Mobile Housing, in Canada, or with the Manufactured Home Construction and Safety Standard, Title 24 CFR, Part 3280, in the United States, or when such a standard is not applicable, ANSI/NCSBSC A225.1/NFPA 501A, Manufactured Home Installations Standard.

This appliance is only for use with the type of gas indicated on the rating plate and may be installed in an aftermarket, permanently located, manufactured (mobile) home where not prohibited by local codes. See owner's manual for details.

This appliance is not convertible for use with other gases unless a certified kit is used.

WARNING: This fireplace has been converted for use with a gas fireplace insert only and cannot be used for burning wood or solid fuels unless all original parts have been replaced, and the fireplace re-approved by the authority having jurisdiction.

Installer l'appareil selon les codes ou règlements locaux, ou, en l'absence de tels règlements, selon les codes d'installation ANSI Z223.1, National Fuel Gas Code ou CSA-B149.1 en vigueur.

Cet appareil doit être installé conformément à la norme CAN/CSA-Z240, Série MH, Maison mobiles ou CAN/CSA-Z240 VC, Véhicules de camping, au Canada ou à la norme 24 CFR Part 3280, Manufactured Home Construction and Safety Standard aux États-Unis. Si ces normes ne sont pas pertinentes, utilisez la norme ANSI/NCSBSC A225.1/NFPA 501A, Manufactured Home Installations Standard.

Cet appareil doit être utilisé uniquement avec le type de gaz indiqué sur la plaque signalétique. Cet appareil peut être installé dans une maison préfabriquée ou mobile (É.-U. seulement) installée à demeure si les règlements locaux le permettent. Voir le manuel d'utilisation pour plus de renseignements. Cet appareil ne peut pas être utilisé avec d'autres gaz sauf si une trousse de conversion certifiée est utilisée.

AVERTISSEMENT : Ce foyer a été converti pour être utilisé avec un foyer au gaz encastrable et ne peut être utilisé pour brûler du bois ou d'autres combustibles solides à moins que toutes les pièces d'origine aient été remises en place et que le foyer ait été homologué de nouveau par une autorité compétente.

This vented gas fireplace heater is not for use with air filters. Ne pas utiliser de filtre à air avec ce foyer au gaz à évacuation.

For Use Only with Barrier (Part #537-000) Follow installation instructions.
Utiliser uniquement avec un écran de protection (pièce n°537-000). Suivre les instructions d'installation.

VENTED GAS FIREPLACE HEATER - NOT FOR USE WITH SOLID FUELS. / FOYER AU GAZ À ÉVACUATION - NE PAS UTILISER AVEC UN COMBUSTIBLE SOLIDE.

919-443

MA Code - CO Detector (for the State of Massachusetts only)

5.08: Modifications to NFPA-54, Chapter 10

(2) Revise 10.8.3 by adding the following additional requirements:

(a) For all side wall horizontally vented gas fueled equipment installed in every dwelling, building or structure used in whole or in part for residential purposes, including those owned or operated by the Commonwealth and where the side wall exhaust vent termination is less than seven (7) feet above finished grade in the area of the venting, including but not limited to decks and porches, the following requirements shall be satisfied:

1. **INSTALLATION OF CARBON MONOXIDE DETECTORS.** At the time of installation of the side wall horizontal vented gas fueled equipment, the installing plumber or gasfitter shall observe that a hard wired carbon monoxide detector with an alarm and battery back-up is installed on the floor level where the gas equipment is to be installed. In addition, the installing plumber or gasfitter shall observe that a battery operated or hard wired carbon monoxide detector with an alarm is installed on each additional level of the dwelling, building or structure served by the side wall horizontal vented gas fueled equipment. It shall be the responsibility of the property owner to secure the services of qualified licensed professionals for the installation of hard wired carbon monoxide detectors

a. In the event that the side wall horizontally vented gas fueled equipment is installed in a crawl space or an attic, the hard wired carbon monoxide detector with alarm and battery back-up may be installed on the next adjacent floor level.

b. In the event that the requirements of this subdivision can not be met at the time of completion of installation, the owner shall have a period of thirty (30) days to comply with the above requirements; provided, however, that during said thirty (30) day period, a battery operated carbon monoxide detector with an alarm shall be installed.

2. **APPROVED CARBON MONOXIDE DETECTORS.** Each carbon monoxide detector as required in accordance with the above provisions shall comply with NFPA 720 and be ANSI/UL 2034 listed and IAS certified.

3. **SIGNAGE.** A metal or plastic identification plate shall be permanently mounted to the exterior of the building at a minimum height of eight (8) feet above grade directly in line with the exhaust vent terminal for the horizontally vented gas fueled heating appliance or equipment. The sign shall read, in print size no less than one-half (1/2) inch in size, "**GAS VENT DIRECTLY BELOW. KEEP CLEAR OF ALL OBSTRUCTIONS**".

4. **INSPECTION.** The state or local gas inspector of the side wall horizontally vented gas fueled equipment shall not approve the installation unless, upon inspection, the inspector observes carbon monoxide detectors and signage installed in accordance with the provisions of 248 CMR 5.08(2)(a)1 through 4.

(b) **EXEMPTIONS:** The following equipment is exempt from 248 CMR 5.08(2)(a)1 through 4:

1. The equipment listed in Chapter 10 entitled "Equipment Not Required To Be Vented" in the most current edition of NFPA 54 as adopted by the Board; and

2. Product Approved side wall horizontally vented gas fueled equipment installed in a room or structure separate from the dwelling, building or structure used in whole or in part for residential purposes.

(c) **MANUFACTURER REQUIREMENTS - GAS EQUIPMENT VENTING SYSTEM PROVIDED.** When the manufacturer of Product Approved side wall horizontally vented gas equipment provides a venting system design or venting system components with the equipment, the instructions provided by the manufacturer for installation of the equipment and the venting system shall include:

1. Detailed instructions for the installation of the venting system design or the venting system components; and

2. A complete parts list for the venting system design or venting system.

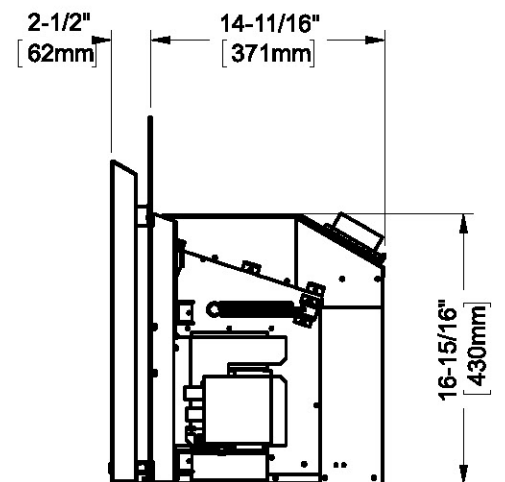
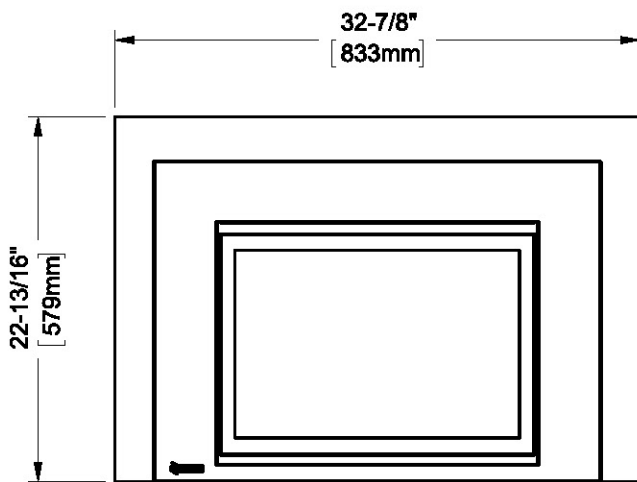
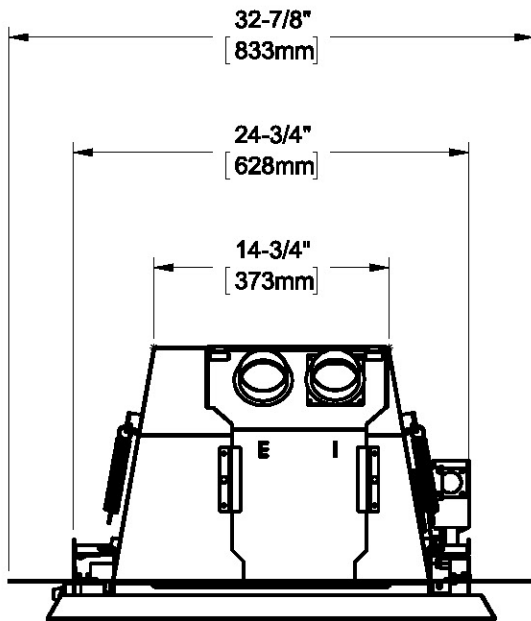
(d) **MANUFACTURER REQUIREMENTS - GAS EQUIPMENT VENTING SYSTEM NOT PROVIDED.** When the manufacturer of a Product Approved side wall horizontally vented gas fueled equipment does not provide the parts for venting the flue gases, but identifies "special venting systems", the following requirements shall be satisfied by the manufacturer:

1. The referenced "special venting system" instructions shall be included with the appliance or equipment installation instructions; and

2. The "special venting systems" shall be Product Approved by the Board, and the instructions for that system shall include a parts list and detailed installation instructions.

(e) A copy of all installation instructions for all Product Approved side wall horizontally vented gas fueled equipment, all venting instructions, all parts lists for venting instructions, and/or all venting design instructions shall remain with the appliance or equipment at the completion of the installation.

6 | dimensions



Shown with Low Profile Faceplate

ALL PICTURES / DIAGRAMS SHOWN THROUGHOUT THIS MANUAL ARE FOR ILLUSTRATION PURPOSES ONLY. ACTUAL PRODUCT MAY VARY DUE TO PRODUCT ENHANCEMENTS.

FOR YOUR SAFETY

This appliance requires air for proper combustion. Always provide adequate combustion and ventilation air. Follow instructions and information in CSAB149.1 (in Canada) or the National Fuel Gas Code ANS Z223.1/NFPA (in the USA), regarding requirements for combustion and ventilation air.

INSTALLATION AND REPAIR SHOULD BE DONE BY AN AUTHORIZED SERVICE PERSON. THE APPLIANCE SHOULD BE INSPECTED BEFORE USE AND AT LEAST ANNUALLY BY A PROFESSIONAL SERVICE PERSON. MORE FREQUENT CLEANING MAY BE REQUIRED DUE TO EXCESSIVE LINT FROM CARPETING, BEDDING MATERIAL, ETC. IT IS IMPERATIVE THAT CONTROL COMPARTMENTS, BURNERS AND CIRCULATING AIR PASSAGEWAYS OF THE APPLIANCE BE KEPT CLEAN.

DUE TO HIGH TEMPERATURES, THE APPLIANCE SHOULD BE LOCATED OUT OF TRAFFIC AND AWAY FROM FURNITURE AND DRAPERIES.

WARNING: FAILURE TO INSTALL THIS APPLIANCE CORRECTLY WILL VOID YOUR WARRANTY AND MAY CAUSE A SERIOUS HOUSE FIRE.

CHILDREN AND ADULTS SHOULD BE ALERTED TO THE HAZARDS OF HIGH SURFACE TEMPERATURES, ESPECIALLY THE FIREPLACE GLASS, AND SHOULD STAY AWAY TO AVOID BURNS OR CLOTHING IGNITION.

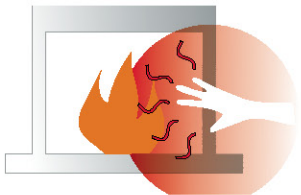
YOUNG CHILDREN SHOULD BE CAREFULLY SUPERVISED WHEN THEY ARE IN THE SAME AREA AS THE APPLIANCE. TODDLERS, YOUNG CHILDREN AND OTHERS MAY BE SUSCEPTIBLE TO ACCIDENTAL CONTACT BURNS. A PHYSICAL BARRIER IS RECOMMENDED IF THERE ARE AT RISK INDIVIDUAL IN THE HOUSE. TO RESTRICT ACCESS TO A FIREPLACE OR STOVE, INSTALL AN ADJUSTABLE SAFETY GATE TO KEEP TODDLERS, YOUNG CHILDREN AND OTHER AT RISK INDIVIDUALS OUT OF THE ROOM AND AWAY FROM HOT SURFACES.

CLOTHING OR OTHER FLAMMABLE MATERIAL SHOULD NOT BE PLACED ON OR NEAR THE APPLIANCE.

A BARRIER DESIGNED TO REDUCE THE RISK OF BURNS FROM THE HOT VIEWING GLASS IS PROVIDED WITH THIS APPLIANCE AND SHALL BE INSTALLED FOR THE PROTECTION OF CHILDREN AND OTHER AT-RISK INDIVIDUALS

IF THE BARRIER BECOMES DAMAGED, THE BARRIER SHALL BE REPLACED WITH THE MANUFACTURER'S BARRIER FOR THIS APPLIANCE.

ANY SAFETY SCREEN, GUARD, OR BARRIER REMOVED FOR SERVICING AN APPLIANCE MUST BE REPLACED PRIOR TO OPERATING THE APPLIANCE.



IMPORTANT MESSAGE

SAVE THESE INSTRUCTIONS

The Regency Direct Vent Gas Insert must be installed in accordance with these instructions. Carefully read all the instructions in this manual first. Consult the building authority having jurisdiction to determine the need for a permit prior to starting the installation.

NOTE: Failure to follow the instructions could cause a malfunction of the heater which could result in death, serious bodily injury, and/or property damage. Failure to follow these instructions may also void your fire insurance and/or warranty.

GAS PRESSURE TESTING

The appliance must be isolated from the gas supply piping system by closing its individual manual shut off valve during any pressure testing of the gas supply piping system at test pressures equal to or less than 1/2 psig. (3.45 kPa).

SPECIFICATIONS

At pressures over 1/2 psig, the pipe to the unit must be disconnected.

Gas Input Capacity:

Natural Gas	23,500 Btu/h
Propane	21,500 Btu/h

Min. Input:

Natural Gas	12,500 Btu/h
Propane	11,000 Btu/h

Fuels: Approved for use with both natural gas, and propane. Approved as is for use at 0' to 4,500' (0-1370m).

Electrical: 120V.A.C. system.

Circulation Fan: Variable speed, 127 CFM.

Log Set: Ceramic fibre, 6 per set.

Vent System: 3" co-linear aluminum flex or 2" intake with 3" exhaust.

General Safety Information

- 1) The appliance installation must conform with local codes or in the absence of local codes, with CAN/CSA B149.1 (in Canada) or the National Fuel Gas Code ANSI Z223.1 NFPA 54 in the U.S.A. This appliance should be installed by a qualified gas fitter technician only.
- 2) Installation and repair should be done by a qualified service person.
- 3) The appliance should be inspected before use and at least annually by a professional service person. More frequent cleaning may be required due to excessive lint from carpeting, bedding material, animal hair, etc. It is imperative that control compartments, burners and circulating air passageways of the appliance be kept clean.
- 4) See general construction and assembly instructions. This appliance may only be installed in a vented, noncombustible fireplace.
- 5) This appliance is Listed for bedroom installations when used with a Listed Millivolt Thermostat. Some areas may have further requirements, check local codes before installation.
- 6) Always connect this appliance to a vent system vent that is run (or routed) to the outside of the building envelope. Never vent to another room or inside a building. Make sure that the vent is properly sized and is of adequate height to provide the proper draft.
- 7) Inspect the venting system annually for blockage and any signs of deterioration.
- 8) Any glass removed for servicing must be replaced prior to operating the appliance.
- 9) **WARNING: Failure to position the parts in accordance with the diagrams in this manual or failure to use only parts specifically approved with this appliance may result in property damage or personal injury.**
- 10) To prevent injury, do not allow anyone who is unfamiliar with the operation to use the fireplace.

Installer must mechanically attach the supplied label to the inside of the firebox of the fireplace into which the gas fireplace insert is installed.

"WARNING: This fireplace has been converted for use with a gas fireplace insert only and cannot be used for burning wood or solid fuels unless all original parts have been replaced, and the fireplace re-approved by the authority having jurisdiction."

GAS PRESSURE TESTING

The appliance must be isolated from the gas supply piping system by closing its individual manual shut off valve during any pressure testing of the gas supply piping system at test pressures equal to or less than 1/2 psig. (3.45 kPa).

INSTALLATION INTO A SOLID FUEL BURNING FIREPLACE OR FACTORY BUILT FIREPLACE

The L234 Gas Inserts have been tested and approved to be vented into any masonry fireplace or approved solid fuel burning factory built fireplace that will allow the insert to physically fit into the firebox. Refer to "Minimum Fireplace Dimensions" section for minimum fireplace clearances.

If the factory built fireplace* height is too low for your Insert, you may remove the smoke baffle plate, damper, refractory (firebricks), glass doors, screen rails, screen mesh and log grates from the factory built fireplace as long as these items are saved and are reinstalled in the event that the Insert is removed. The fireplace flue damper can be fully blocked open or removed for installation of the gas fireplace insert.

Smoke shelves, shields and baffles may be removed if attached by mechanical fasteners. If any part is removed it must not weaken the structural integrity of the factory built fireplace.

The fireplace and fireplace chimney must be clean and in good working order and constructed of non-combustible materials.

The surround panels should not seal ventilation openings on the fireplace.

Chimney clean outs should fit properly.

NOTE: Any alterations made to the listed solid fuel burning factory built fireplace may void the listing of the fireplace.

Cutting any sheet metal part of the fireplace, in which the gas fireplace insert is to be installed is prohibited.

*Check with your local inspector before commencing with this installation.

Installer must mechanically attach the supplied label to the inside of the firebox of the fireplace into which the gas fireplace insert is installed.

WARNING: This fireplace has been converted for use with a gas fireplace insert only and cannot be used for burning wood or solid fuels unless all original parts have been replaced, and the fireplace re-approved by the authority having jurisdiction."

BEFORE YOU START

Safe installation and operation of this appliance requires common sense, however, we are required by the Canadian Safety Standards and ANSI Standards to make you aware of the following:

FACTORY-BUILT (METAL) WOOD-BURNING FIREPLACE REQUIREMENTS

NOTE: Any parts that are removed must be removed in a way that would allow them to be re-installed if the insert is ever removed (removal of rivets or screws is acceptable).

To reference parts—see illustration below.

Must be removed:

- 1 - Damper
- 2 - Grate (with log set)

May be removed (if applicable):

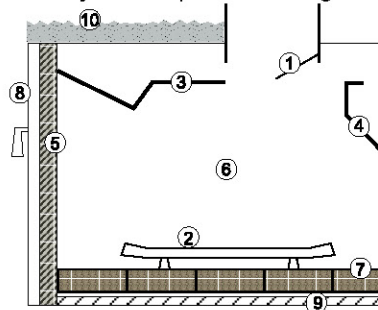
- 3 - Smoke shelf
- 4 - Internal baffles
- 5 - Screen
- 6 & 7 - Masonry lining or refractory
- 8 - Metal or glass doors

The fireplace must be permanently marked to indicate that it has been altered and is no longer suitable for burning solid fuel (wood), unless the removed parts are re-installed. Cutting of any sheet metal parts is prohibited.

May be removed (in certain cases):

- 9 - Metal floor of the firebox
- 10 - The insulation and any structured rigid frame members must not be removed or altered (side and top of door frame, side and top of the face of the fireplace, metal sides, etc.).

If the factory-built fireplace has no gas access



CAUTION: Firebox floor removal is not covered under the appliance safety standard (ANSI Z21.88, CSA 2.33) used in the safety certification of this appliance. The Intertek safety certification does not apply to this method of installation. Before installing the appliance using this method, contact the Authority Having Jurisdiction to determine if this installation is acceptable in your area. The sheet metal base of the fireplace must be left in place and a minimum 1/2" cement board sheet placed under the entire length and width of the appliance.

hole(s) provided, an access hole of 1.5 inch (37.5 mm) or less may be drilled through the lower sides or bottom of the firebox in a proper workmanship like manner. This access hole must be plugged with non-combustible insulation after the gas supply line has been installed.

11) Due to high temperatures, the appliance should be located out of high traffic areas and away from furniture and draperies. Children and adults should be alerted to the hazards of high surface temperatures, especially the fireplace glass, and should stay away to avoid burns or clothing ignition. Young children should be carefully supervised when they are in the same room as the appliance. Clothing or other flammable material should not be placed on or near the appliance.

Emissions from burning wood or gas could contain chemicals known to the State of California to cause cancer, birth defects or other reproductive harm.

INSTALLATION CHECKLIST

Before installing vent system ensure that the damper plate is open and secure to prevent the damper plate from falling down and crushing the liner.

The Regency Gas Insert is installed as listed below.

- 1) Check all clearances to combustibles. Refer to the following sections where applicable:
 - a. Minimum Clearances to Combustibles.
 - b. Combustible Mantel Clearances
 - c. Mantel Clearances
- 2) Make the gas connection. Refer to the "Gas Connection" section.
- 3) Install the 3" x 3" or 3" x 2" flue liner to the sliding connector plate. Refer to the "Flue Liner Installation" section.
- 4) Slide the unit half way into the fireplace.
- 5) Pull the vent connector plate through the tapered brackets and fasten to the front plate. Refer to the "Flue Liner Installation" section.
- 6) Install 4AA batteries into receiver. Hook receiver to wire marked receiver, this will enable operation of the appliance manually when position in "ON" position.
- 7) Slide the unit fully into the fireplace.

- 8) Test gas pressure, refer to the "Gas Pipe Pressure Testing" section. Check aeration system, refer to "Gas Insert Aeration Systems" section.
- 9) Install standard and optional features. Refer to the following sections where applicable:
 - a. Brick Panels
 - b. Log Installation
 - c. Faceplate
 - d. Optional Hearth Trim
 - e. Remote Control
 - f. Wall Thermostat

10) **Final check. Refer to the "Final Check" section.** Before leaving this unit with the customer, the installer must ensure that the appliance is firing correctly. This includes:

- a) Locking the appliance to ensure the correct firing rate.
- b) Adjusting the primary air, if required, to ensure that the flame does not carbon. Refer to the "Gas Insert Aeration System" section.
- c) Ensuring that the appliance is venting correctly.

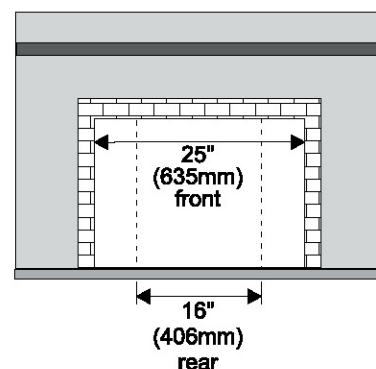
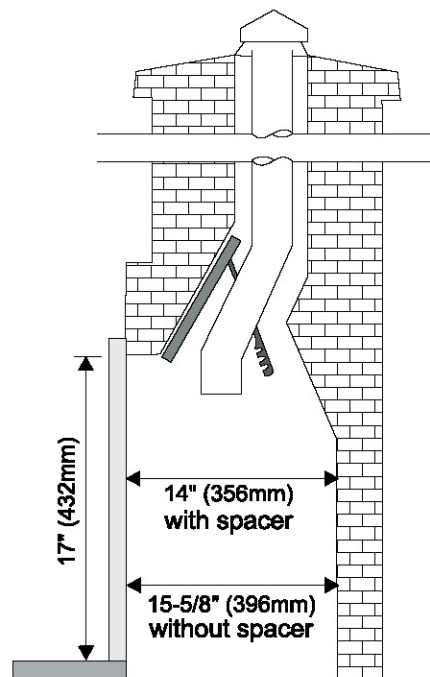
MATERIALS REQUIRED

No electrical power supply is required for the gas control to operate. A 120 Volt AC power cord is hooked up to the fan. Plug the 3 wire cord into a suitable receptacle. **Do not cut the ground terminal off under any circumstances.** When connected with 120 volts, the appliance must be electrically grounded in accordance with local codes, current version of the Canadian Electrical Code CSA C22.1 (in Canada) or in the absence of local codes, with the National Electrical Code ANSI/NFPA 70.

WARNING:
Electrical Grounding Instructions
 This appliance is equipped with a three pronged (grounding) plug for your protection against shock hazard and should be plugged directly into a properly grounded three-prong receptacle. Do not cut or remove the grounding prong from this plug.

MINIMUM FIREPLACE OPENING

The minimum fireplace opening for the L234 gas fireplace insert is shown in the following diagrams:

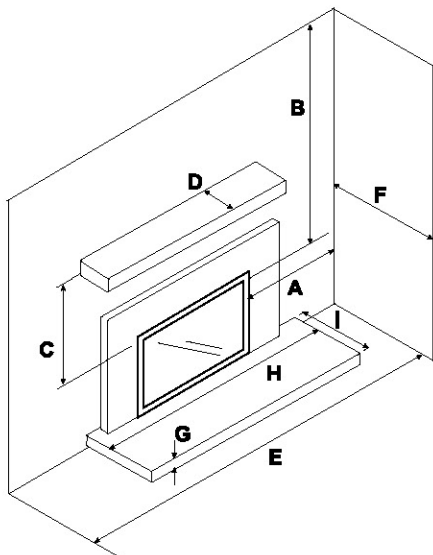


MINIMUM CLEARANCES TO COMBUSTIBLES

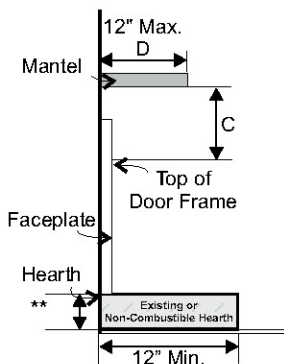
Unless otherwise stated the clearances listed below are Minimum distances to combustible materials. **Please Note: A major cause of chimney related fires is due to a failure to maintain required clearances (air space) to combustible materials. It is of the greatest importance that this insert and vent system be installed only in accordance with these instructions.**

- Side Walls A 8" (203 mm)*
- Ceiling B 56" (1422 mm)
- Min. Mantel Height C 21" (533 mm) see Diagram 1
- Max. Mantel Depth D 12" (305 mm) see Diagram 1
- Alcove Width E 60" (1524 mm)
- Alcove Depth F 36" (914 mm)
- **Hearth Height- Non combustible G 1-1/2" (38 mm) Minimum
- Hearth Width H 28" (686 mm)
- Hearth Depth I 12" (305 mm)

* Alcove side wall must have a minimum of 8" clearance.
 **Note: A 1-1/2" high non-combustible hearth is required if unit is not raised off the ground a minimum of 4"



INSTALLATION WITH NON-COMBUSTIBLE HEARTH IN FRONT

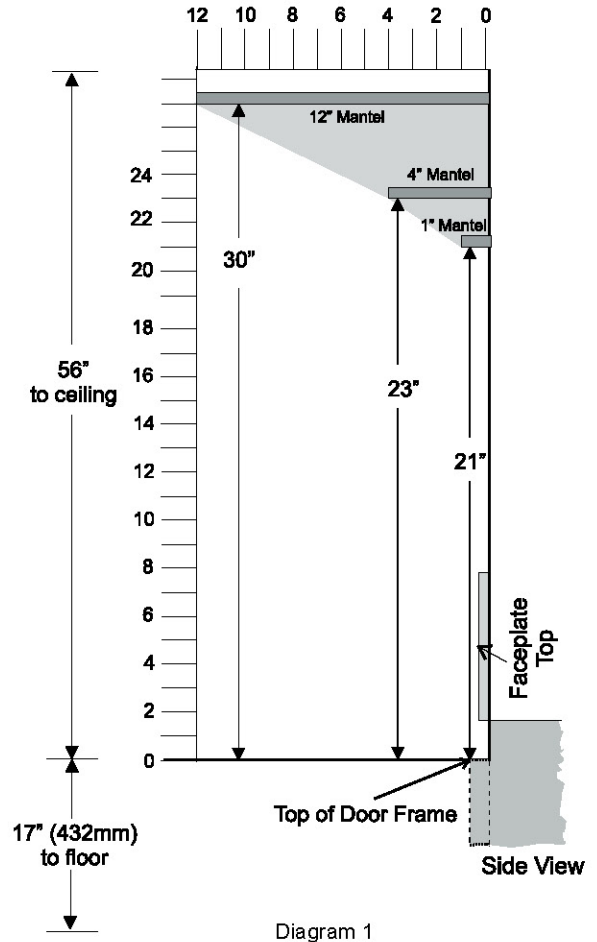


COMBUSTIBLE MANTEL CLEARANCES

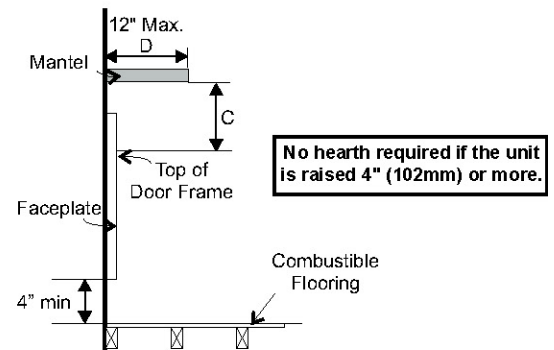
Because of the extreme heat this fireplace emits, the mantel clearances are critical. Combustible mantel clearances from top of door frame are shown in the diagram below. Mantel may be installed anywhere in the shaded area or higher.

Note: A non-combustible mantel may be installed at a lower height.

Note: Ensure the paint that is used on the mantel and the facing is "heat resistant" or the paint may discolour.



INSTALLATION WITH COMBUSTIBLE FLOORING IN FRONT



VENTING

THE APPLIANCE MUST NOT BE CONNECTED TO A CHIMNEY FLUE SERVING A SEPARATE SOLID FUEL BURNING APPLIANCE.

This appliance is designed to be attached to two 3" (76mm) co-linear aluminium flex running the full length of the chimney. The flue length must be a minimum length of 8' (2.44m) and a maximum of 35' (10.7m). Periodically check that the vent is unrestricted.

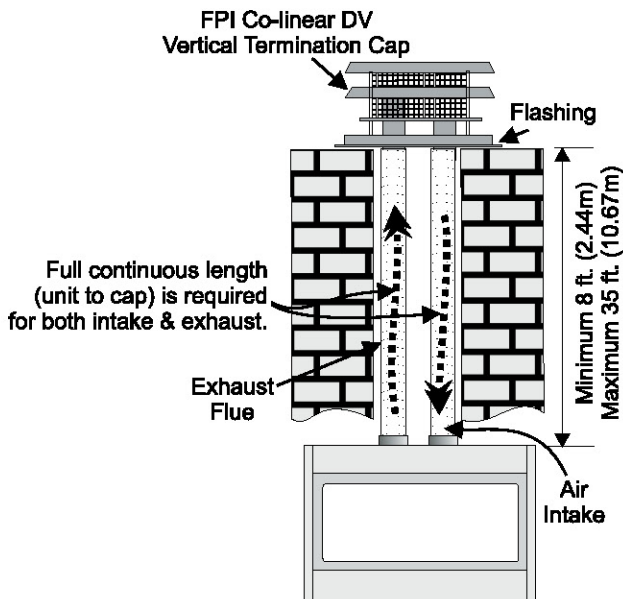
Masonry chimneys may take various contours which the flexible liner will accommodate. However, **keep the flexible liner as straight as possible**, avoid unnecessary bending.

INSTALLATION WITH 3" & 3" LINERS

Part #	Description
948-305	3" Flex - 35 ft. (intake & exhaust)
946-529	Regency Co-linear DV Vertical Termination Cap & Flashing

Vent Run	Vent Restrictor Position	Burner Aeration Setting
8' to 20'	1"	3/16"
20' to 35'	3/4"	3/16"

NOTE: See instructions in the "Vent Restrictor Position" section on positioning of the vent restrictor.



The L234 is also approved for use with a 2" liner for air intake and a 3" liner for exhaust. This would be suitable for a Class A wood burning chimney with a minimum 6" round flue.

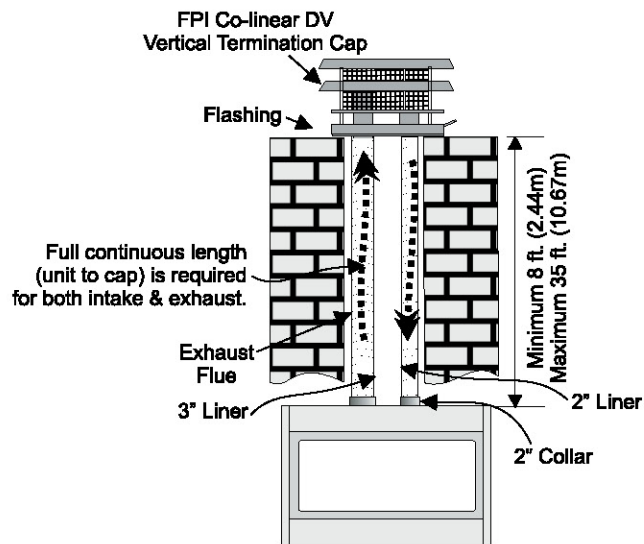
The chimney must be lined with one 2" diameter liner for intake and one 3" diameter liner for exhaust. The minimum vent length is 8' and maximum is 35'.

INSTALLATION WITH 3" & 2" LINERS

Part #	Description
948-305	3" Flex - 35 ft. (exhaust)
948-316	2" Flex - 35 ft. (intake)
946-582	Regency Co-linear DV Vertical Termination Cap, Flashing & 2" Collar

Vent Run	Vent Restrictor Position	Burner Aeration Setting
8' to 20'	1"	3/16"
20' to 35'	1"	1/8"

NOTE: See instructions in the "Vent Restrictor Position" section on positioning of the vent restrictor.



Alternative Approved Venting Components*

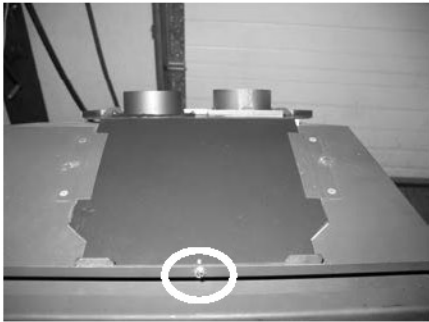
- 46DVA-VC Vertical Termination Cap
- 46DVA-VCH High Wind Cap
- 46DVA-GK 3" Co-linear Adaptor with flashing

In areas of consistently high winds, we recommend using the Simpson Dura-Vent System 46DVA-GK adapter and 46DVA-VCH high-wind cap. The Air Intake pipe must be attached to the inlet air collar of the termination cap.

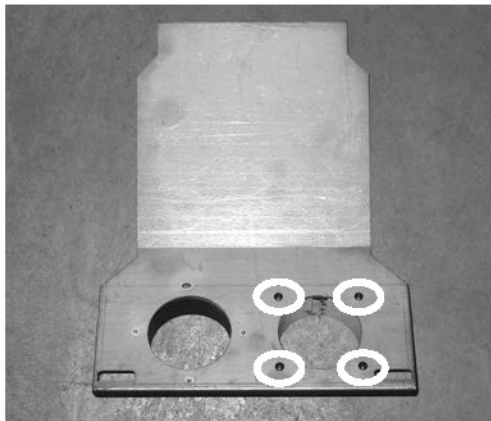
***NOTE:** Simpson Duravent can only be used with 3" liners.

CONVERTING FROM 3" & 3" VENTING TO 3" & 2"

- 1) Remove the top plate from the unit by undoing the screw at the front of the firebox and slide out towards the back of the unit.

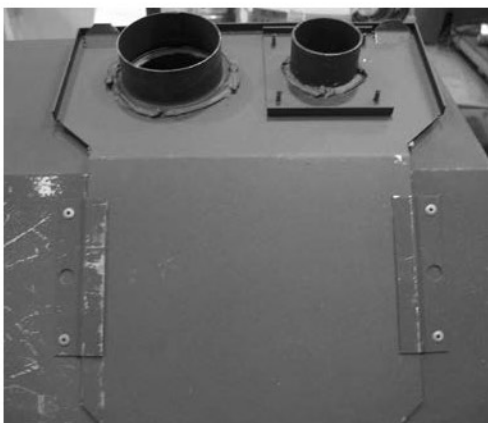


- 2) Remove the 3" collar from the top plate by undoing the 4 screws. **NOTE:** The screws are secured from the underside of the top plate.



Underside of Top Plate

- 3) Secure the 2" collar to the top plate using 4 screws in place of the 3" collar.
- 4) Re-install the top plate to the unit.



Top Plate with 2" Collar shown on Unit

VENT RESTRICTOR POSITION

The Vent Restrictor plate is located on the inside top of the firebox.

To change the vent restrictor position, refer to the instructions below;

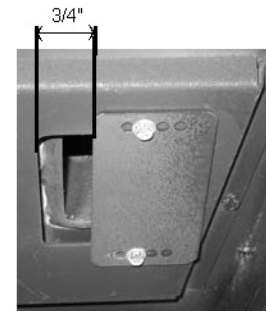
- 1) Remove the glass door.
- 2) Remove brick panels if installed.
- 3) Remove the 4 screws that hold the vent restrictor plate in place.



- 4) Adjust the vent restrictor plate to the required vent restrictor position.



Factory Set at 1"



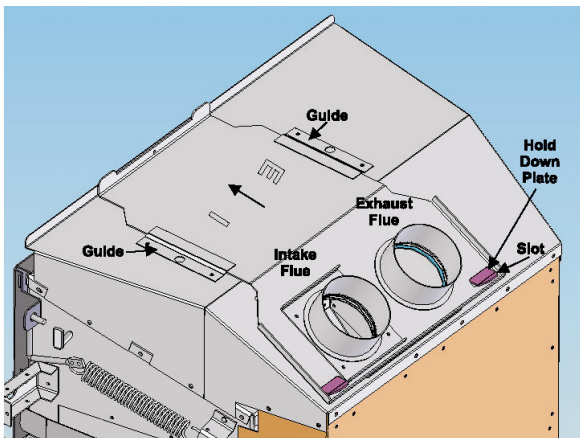
Adjusted to 3/4"

- 5) Once the vent restrictor plate is in the required position, secure using the 4 screws removed from step 3.
- 6) Re-install brick panels if removed.
- 7) Re-install glass door.

14 | installation

FLUE LINER INSTALLATION

- 1) Cut the flex liner as required.
- 2) **Mark the end of one liner with an "E" to indicate Exhaust.**
- 3) Connect the other end of the above liner to the exhaust side of the termination cap, seal connection with high temperature silicone. Secure with gear clamp or screws.
- 4) Connect the 2nd liner to the inlet side of the cap, seal connection with high temperature silicone. Secure with gear clamp or screws.
- 5) Install flashing.
- 6) Insert both liners into chimney, passing through the damper opening.
- 7) Install termination cap.
- 8) Connect the **marked end** of the liner to the exhaust collar of the vent connector plate marked with an "E", seal connection with high temperature silicone. Secure with gear clamp or screws.



- 9) Connect the 2nd liner to the intake collar, seal connection with high temperature silicone. Secure with gear clamp or screws.
- 10) Align vent connector plate with guides on unit.
- 11) Slide unit into masonry opening, while ensuring that the slot at the rear of the connector plate mates up with the hold down plate on the unit.
- 12) Secure with screw.

NOTES:

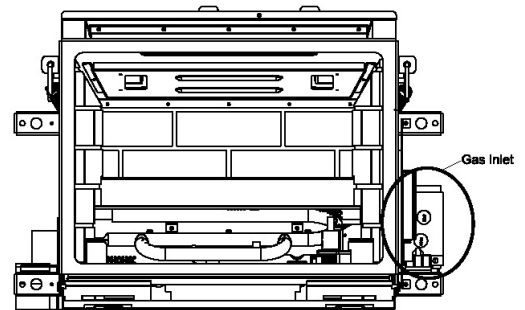
- 1) Final gas connection should be made after unit is in place to avoid damage to the liner when pushing the unit into position.
- 2) Mill-pac may be used instead of high temperature silicone and screws may be used instead of gear clamps at connections of liner to inlet and vent collars.

GAS CONNECTION

GAS CONNECTION WARNING:

Only persons licensed to work with gas piping may make the necessary gas connections to this appliance.

- 1) When the appliance is to be installed into either an existing masonry chimney system or factory built fireplace, thoroughly clean the chimney before installation.
- 2) A 3/8" NPT gas supply pipe must be brought near the inlet hole. The valve inlet is on the right side of the unit.



- 3) Locate the center point where the vent will pass through the chimney above the appliance. Move the appliance into the exact location where it is to be installed. Ensure that the Insert is level.

NOTE: This unit is equipped with a heat sensor thermodisc which will prevent the blower from operating until the unit reaches the correct temperature.

GAS INSERT AERATION ADJUSTMENT

The burner aeration is factory set but may need adjusting due to either the local gas supply or altitude. Open the air shutter for a blue flame or close for a more yellow flame. To access burner aeration—see Steps below.

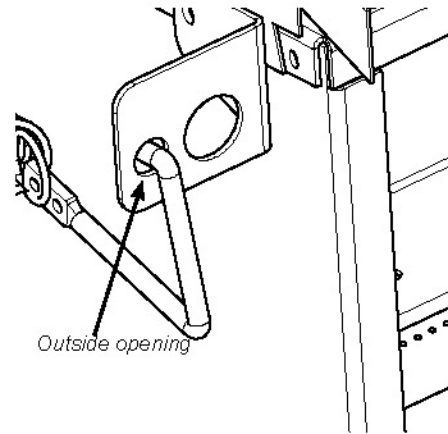
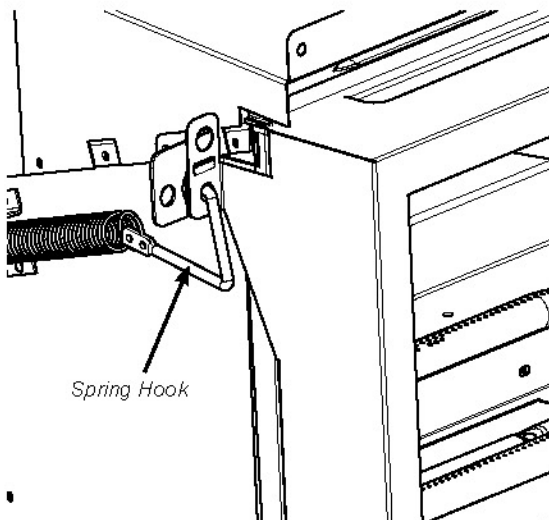
CAUTION: Carbon will be produced if the air shutter is closed too much.

Minimum Air Shutter Openings		
	Vent Run	Burner Aeration Setting
3" x 3"	8' to 20'	NG: 3/16" LP: 3/16"
	20' to 35'	NG: 3/16" LP: 3/16"
3" x 2"	8' to 20'	NG: 3/16" LP: 3/16"
	20' to 35'	NG: 1/8" LP: 1/8"

Note: Any damage due to carboning resulting from improperly setting the aeration controls is NOT covered under warranty.

Note: Aeration Adjustment should only be performed by an authorized Regency Installer at the time of installation or service.

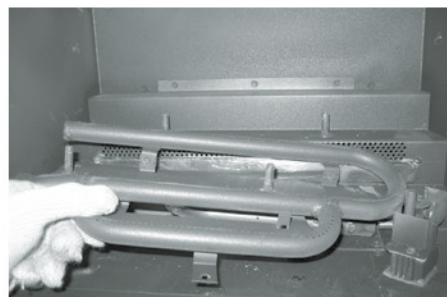
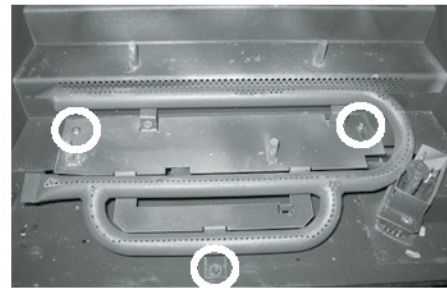
1. Remove the outer faceplate.
2. Remove the safety screen.
3. Remove the glass door.
 - a) Pull the spring hook on the left that holds the door in place. Place the hook into the opening towards the outside of the bracket. Repeat on right side.



- b) Swing the door out 45 degrees and lift up and out.



4. Remove the logs.
5. Remove brick panels, if installed.
6. Remove the burner by undoing the 3 screws.



Burner Removed

7. Make necessary aeration adjustment - reverse Steps 6-1.

GAS INSERT AERATION ADJUSTMENT

The burner aeration is factory set but may need adjusting due to either the local gas supply or altitude. Open the air shutter for a blue flame or close for a more yellow flame. To access burner aeration—see Steps below.

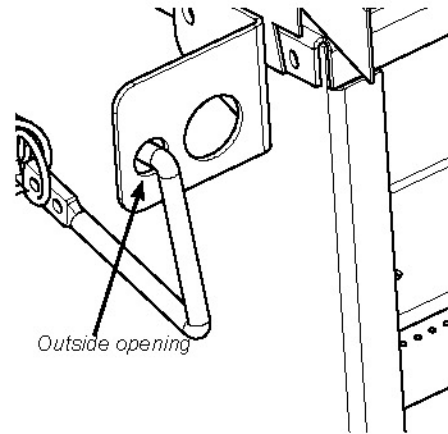
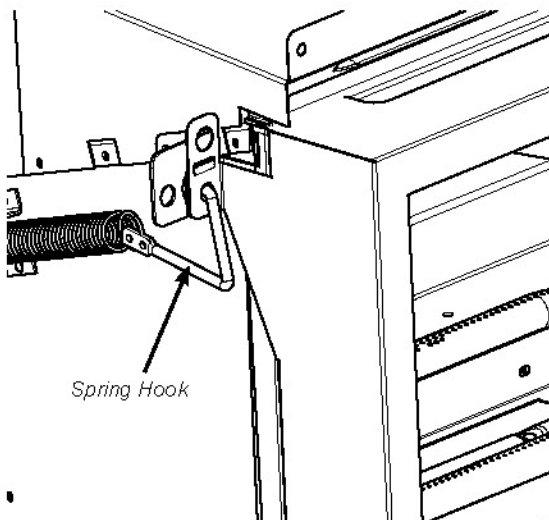
CAUTION: Carbon will be produced if the air shutter is closed too much.

Minimum Air Shutter Openings		
	Vent Run	Burner Aeration Setting
3" x 3"	8' to 20'	NG: 3/16" LP: 3/16"
	20' to 35'	NG: 3/16" LP: 3/16"
3" x 2"	8' to 20'	NG: 3/16" LP: 3/16"
	20' to 35'	NG: 1/8" LP: 1/8"

Note: Any damage due to carboning resulting from improperly setting the aeration controls is NOT covered under warranty.

Note: Aeration Adjustment should only be performed by an authorized Regency Installer at the time of installation or service.

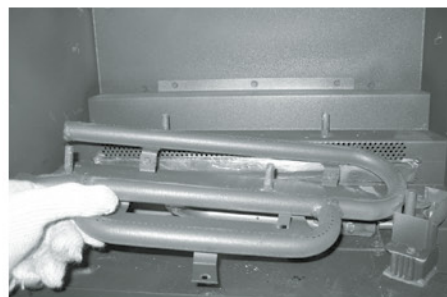
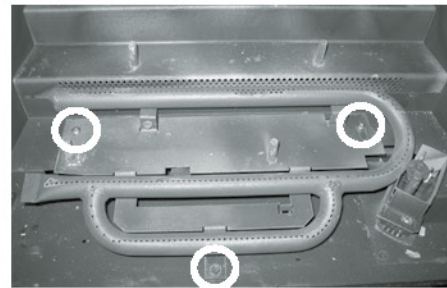
1. Remove the outer faceplate.
2. Remove the safety screen.
3. Remove the glass door.
 - a) Pull the spring hook on the left that holds the door in place. Place the hook into the opening towards the outside of the bracket. Repeat on right side.



- b) Swing the door out 45 degrees and lift up and out.



4. Remove the logs.
5. Remove brick panels, if installed.
6. Remove the burner by undoing the 3 screws.



Burner Removed

7. Make necessary aeration adjustment - reverse Steps 6-1.

GAS PIPE PRESSURE TESTING

The appliance must be isolated from the gas supply piping system by closing its individual manual shut-off valve during any pressure testing of the gas supply piping system at test pressures equal to or less than 1/2 psig. (3.45 kPa). Disconnect piping from valve at pressures over 1/2 psig.

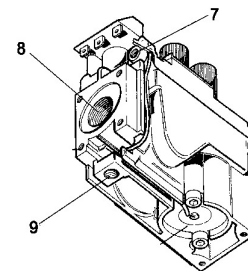
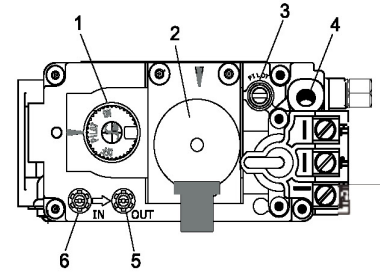
The manifold pressure is controlled by a regulator built into the gas control, and should be checked at the pressure test point.

NOTE: To properly check gas pressure, both inlet and manifold pressures should be checked using the valve pressure ports on the valve.

- 1) Make sure the valve is in the "OFF" position.
 - 2) Loosen the "IN" and/or "OUT" pressure tap(s), turning counterclockwise with a 1/8" wide flat screwdriver.
 - 3) Attach manometer to "IN" and/or "OUT" pressure tap(s) using a 5/16" ID hose.
 - 4) Light the pilot and turn the valve to "ON" position.
 - 5) The pressure check should be carried out with the unit burning and the setting should be within the limits specified on the safety label.
 - 6) When finished reading manometer, turn off the gas valve, disconnect the hose and tighten the screw (clockwise) with a 1/8" flat screwdriver.
- Note: Screw should be snug, but do not over tighten.**

SIT 829 VALVE DESCRIPTION

- 1) Gas on/off knob
- 2) Electronically Operated Hi/Lo
- 3) Pilot Adjustment
- 4) Thermocouple Connection - *option*
- 5) Outlet Pressure Tap
- 6) Inlet Pressure Tap
- 7) Pilot Outlet
- 8) Main Gas Outlet
- 9) Alternative TC Connection Point



CONVERSION FROM NG TO LP

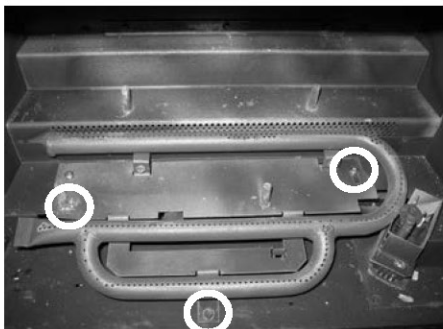
LP Conversion Instructions

THIS CONVERSION MUST BE DONE BY A QUALIFIED GAS FITTER, IF IN DOUBT DO NOT DO THIS CONVERSION!!

LP Conversion Kit Contains:

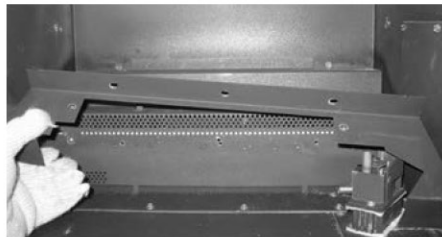
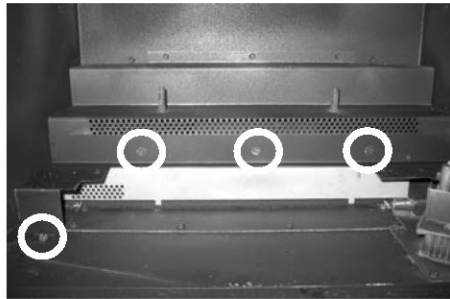
Qty.	Part #	Description
1	910-037	LP Pilot Orifice
1	904-163	Orifice #54
1	904-529	5/32" Allen Key
1	910-582	Stepper Motor
1	918-590	LP Conversion Decal
1	908-528	Red Propane Label
1	919-465	Instruction Sheet

1. Shut off gas and electrical supply to the unit.
2. Remove the faceplate.
3. Remove the safety screen and glass door - see manual for detailed instructions.
4. Remove the logs if installed.
5. Remove the brick panels if installed.
6. Remove the burner by undoing the 3 screws.



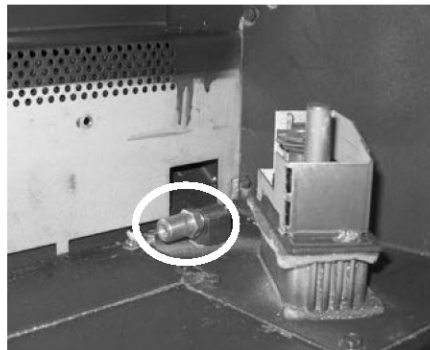
Burner Removed

7. Remove the burner tray by undoing the 4 screws.



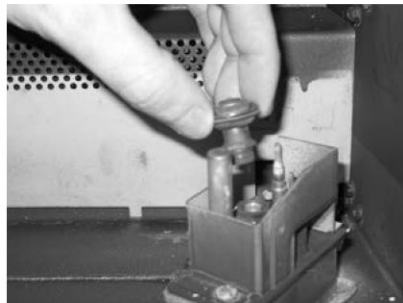
Burner Tray Removed

8. Remove burner orifice with a 1/2" wrench and discard.



9. Install the new LP burner orifice stamped #54 and tighten.

10. Pull off the pilot cap to expose the pilot orifice.



11. Unscrew the pilot orifice with the supplied allen key and replace it with the LP pilot orifice in the kit and re-install the pilot cap.



12. Remove the pilot/on/off extension knob by pulling the knob towards you. Remove NG stepper motor by removing 3 screws in locations shown below—replace with LP stepper motor, secure in place with 3 screws.



Remove NG Stepper motor and replace with LP Stepper motor

13. Reinstall the pilot/on/off extension knob removed from step 12. Check for gas leaks with a proper soapy solution or leak detector.

14. Check inlet and outlet pressures. Refer to "Gas Pipe Pressure Testing" section of the manual.

15. Attach the label "This unit has been converted to LP" near or on top of the serial # decal.

16. Replace yellow "NG" label with red "LP" label.

17. Reverse Steps 8 - 1.

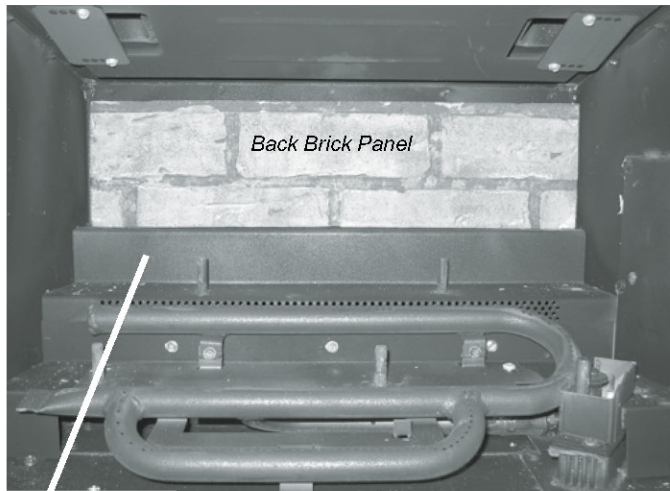
NOTE: before re-installing burner, check the LP aeration settings.

18. Check operation of flame control.

19. Check for proper flame appearance and glow on logs.

OPTIONAL BRICK PANEL INSTALLATION

- 1) Carefully remove the brick panels from the box and unwrap them.
- 2) Insert the back brick panel by carefully placing it against the back wall of the firebox and rest it on the rear log tray.
- 3) Slide the right side brick panel into position and secure in place using the brick clip. Repeat for left side.



Back Brick Panel

Rear Log Tray

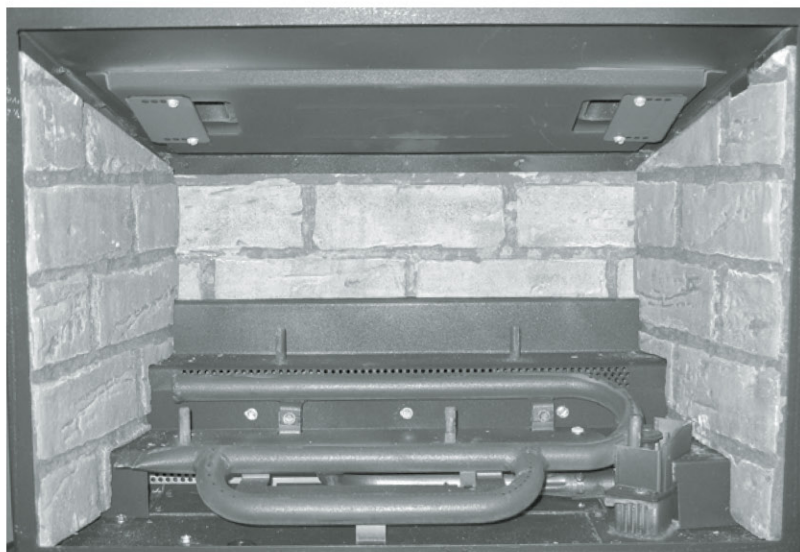


Brick Clip

Right Side Brick Panel

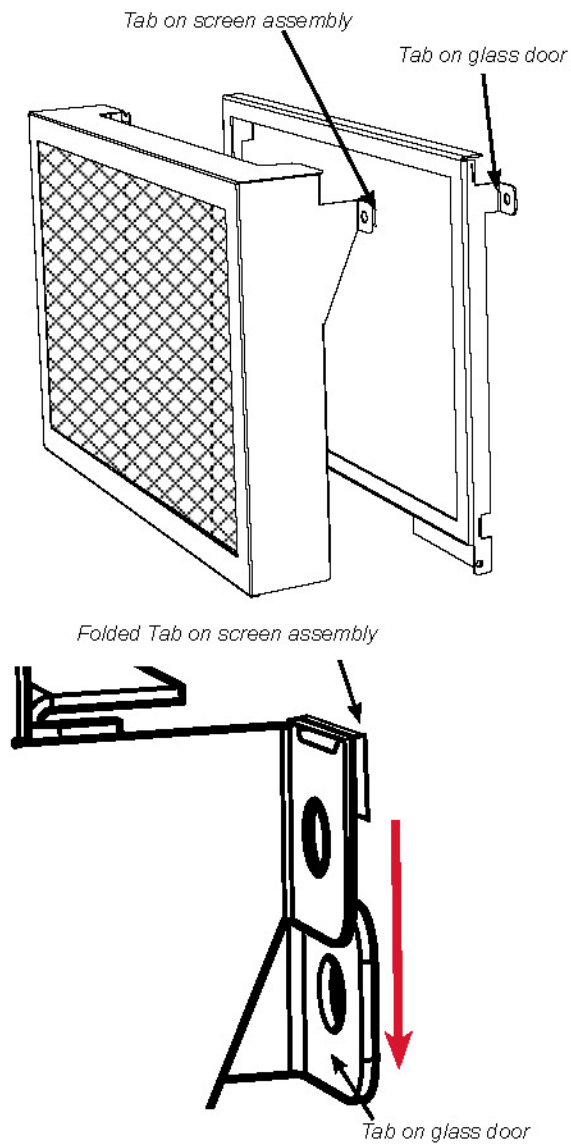
IMPORTANT
YOUR BRICK PANELS ARE
MANUFACTURED FROM A SPECIAL HEAT
REFLECTIVE CERAMIC MATERIAL
HANDLE WITH CARE
(DO NOT FORCE INTO POSITION)

Completed Brick Panel Installation



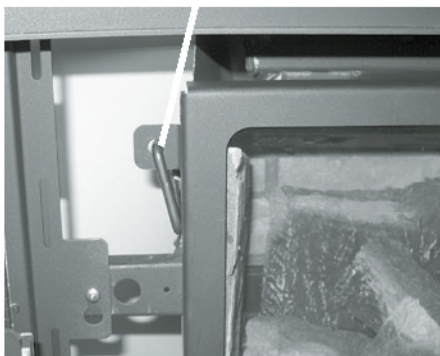
SAFETY SCREEN INSTALL

1. Slide the folded tab on the screen assembly over the tab on the glass door (left and right sides).



2. Install screen assembly and glass door together and secure with spring hooks on left and right side. To remove see "Glass Door Removal" instructions.

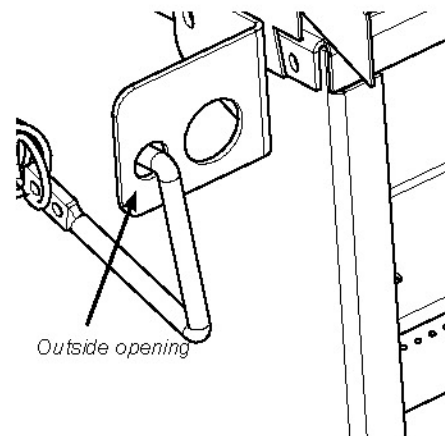
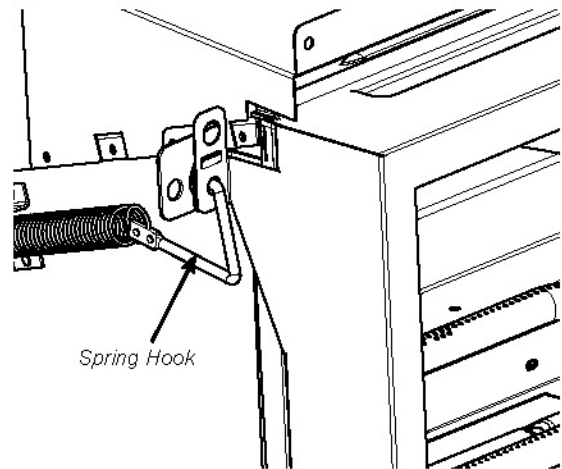
Spring Hook



GLASS DOOR REMOVAL/INSTALL

1. Remove the glass door.

- a) Pull the spring hook on the left that holds the door in place. Place the hook into the opening towards the outside of the bracket. Repeat on right side.



- b) Swing the door out 45 degrees and lift up and out.



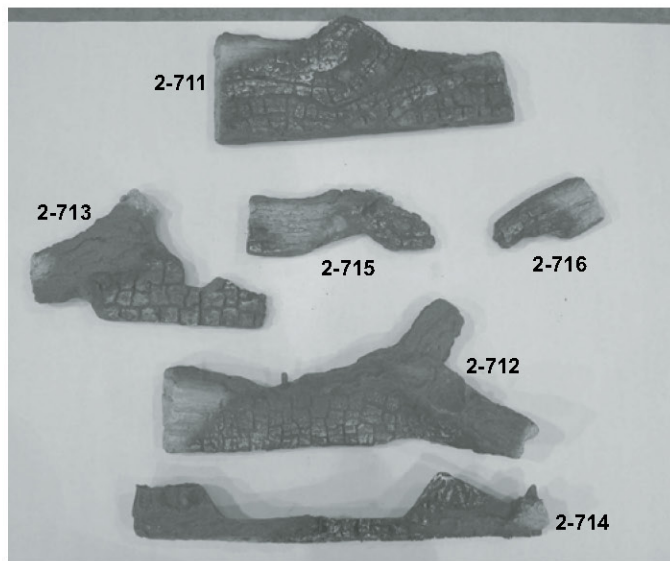
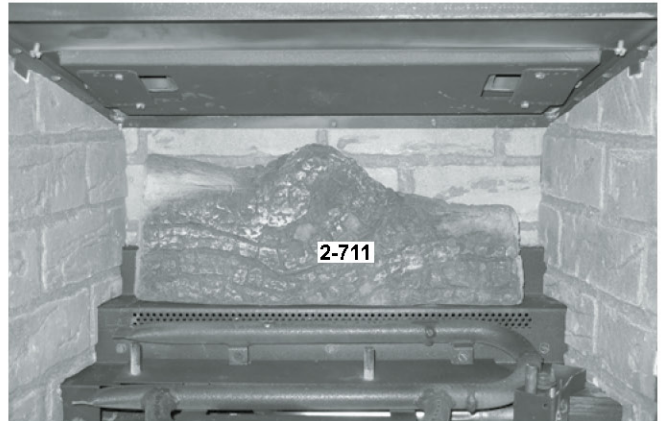
2. To reinstall—reverse steps.

LOG SET INSTALLATION

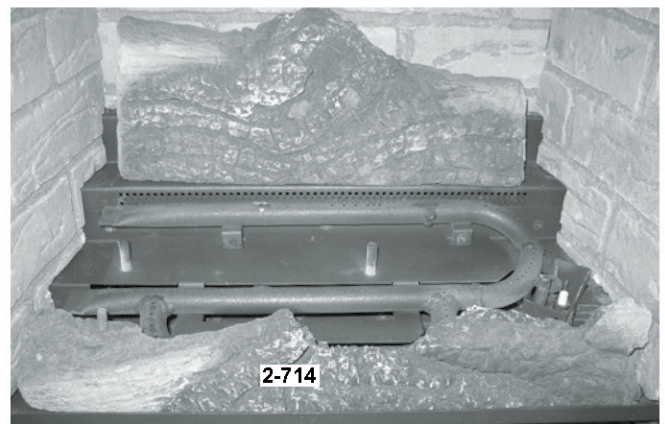
Read the instructions below carefully and refer to the images. Dangerous operating conditions may occur if the logs are not positioned in their correct locations. If the logs are broken do not use the unit until they are replaced. Broken logs can interfere with the pilot operation.

Log kit (Part # 536-930) contains the following pieces:

- a) 2-711 Rear Log
- b) 2-712 Center Log
- c) 2-713 Left Log
- d) 2-714 Front Log
- e) 2-715 Top Left Log
- f) 2-716 Top Right Log
- g) Embers (supplied with packaged manual)
- h) 946-669 Platinum Embers (supplied with packaged manual)

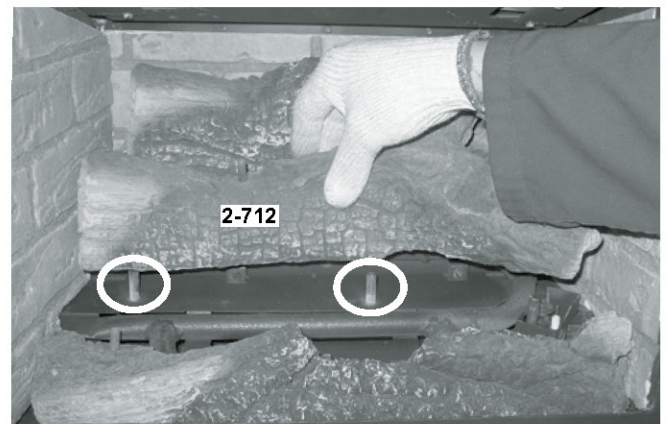
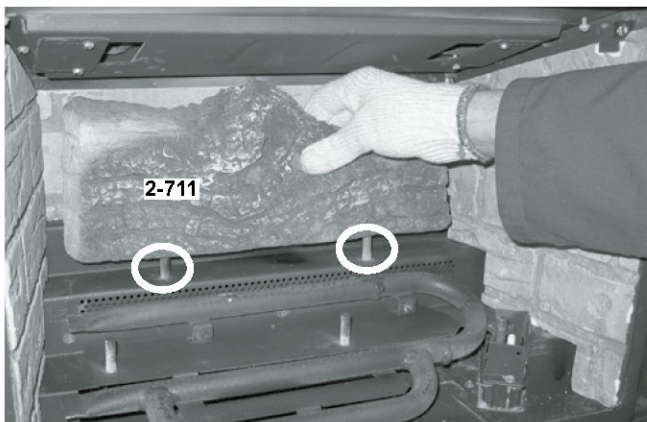


3) Place log 2-714 on the base of the firebox in front of the burner.



4) Fit log 2-712 into the pins on the middle of the burner.

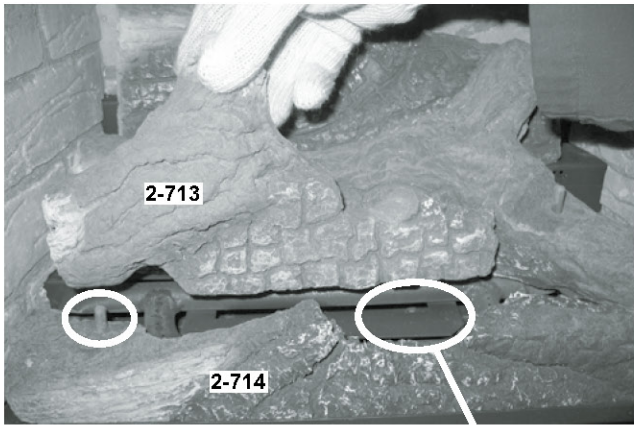
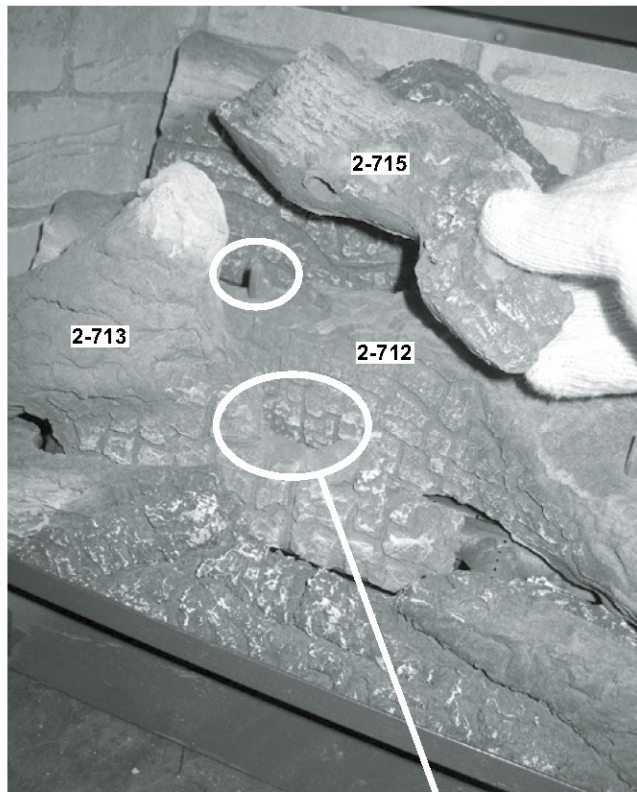
- 1) Carefully remove the logs from the box and unwrap them. The logs are fragile, handle with care - **do not force into position**.
- 2) Fit log 2-711 into the pins on the rear log tray.



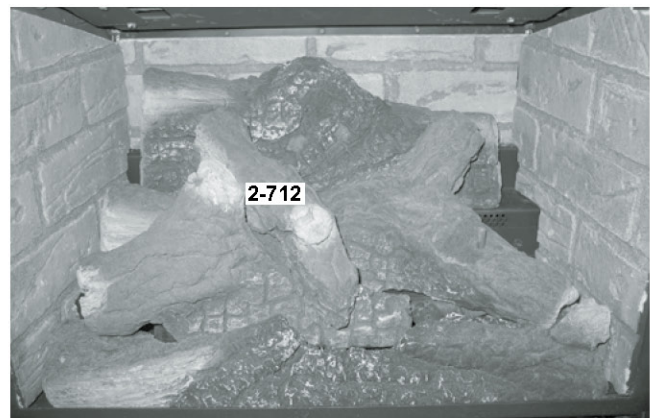


- 6) Place log 2-715 into the pin on log 2-712 and rest the right end of the log on the notch in log 2-713.

- 5) Fit the left side of log 2-713 into the pin on log 2-714 and rest the right side of the log on the burner plate pushing it against the tab.



Notch



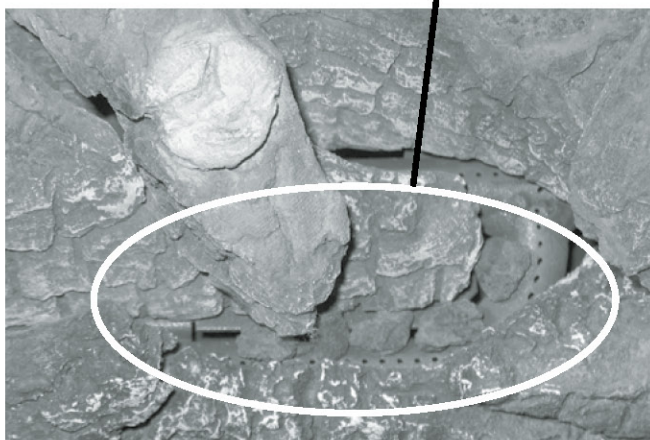
- 7) Place embers on the right side of the burner as shown.



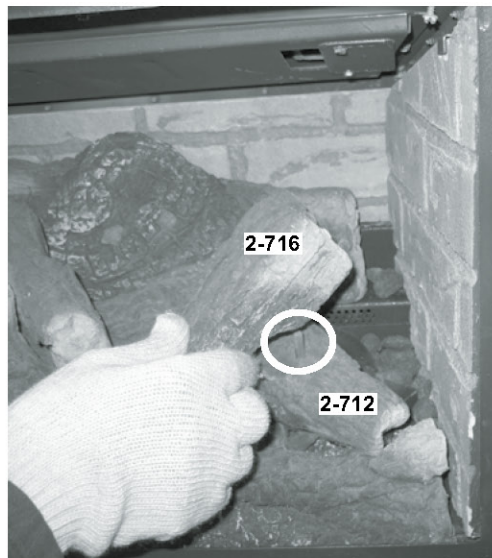
Right side of Burner

Also place a few embers along the burner tube next to log 2-713.

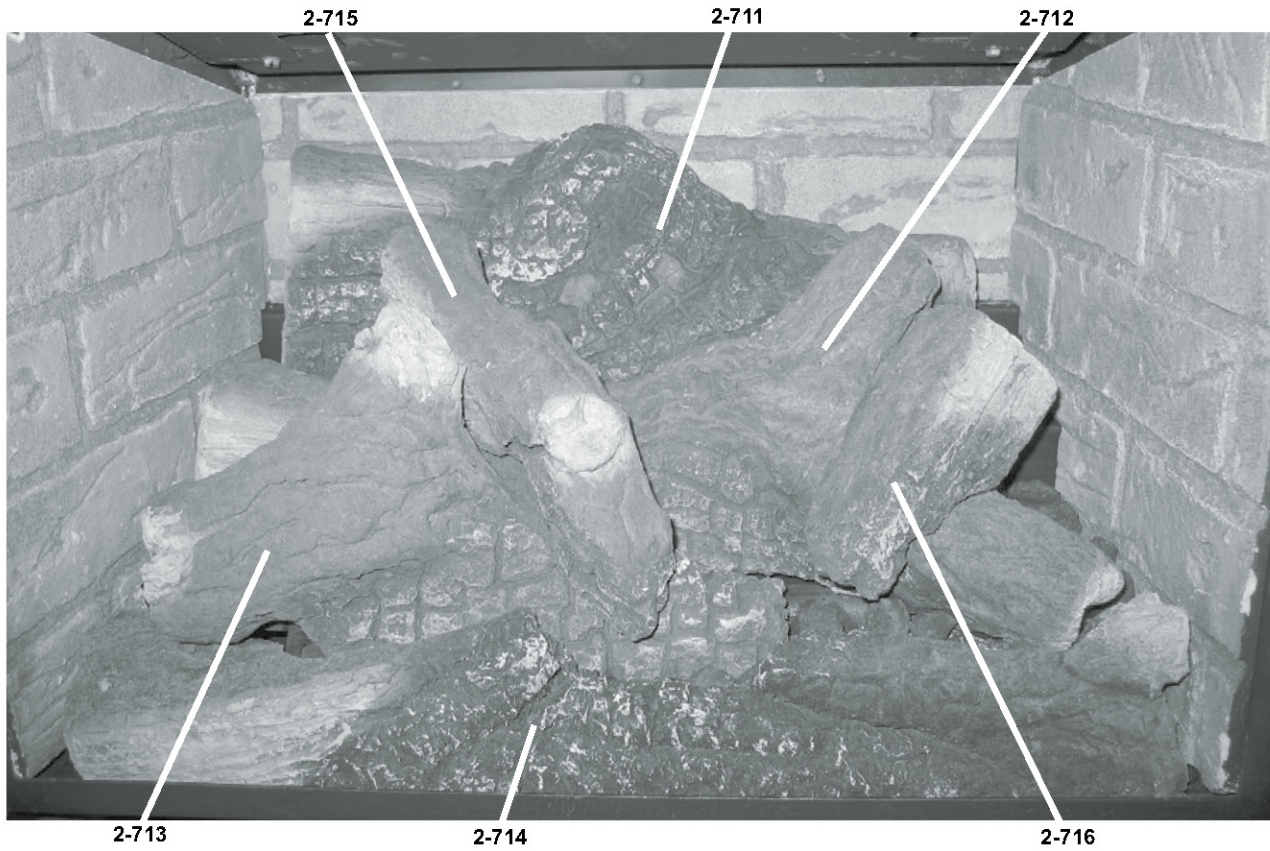
Separate platinum embers and place on and around the embers. Avoid stacking platinum embers.



- 8) Fit log 2-716 into the pin on log 2-712.

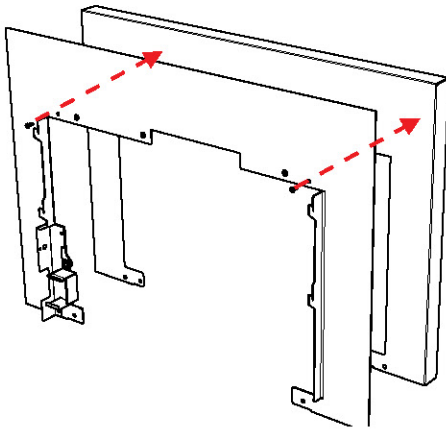


Completed Log Set Installation

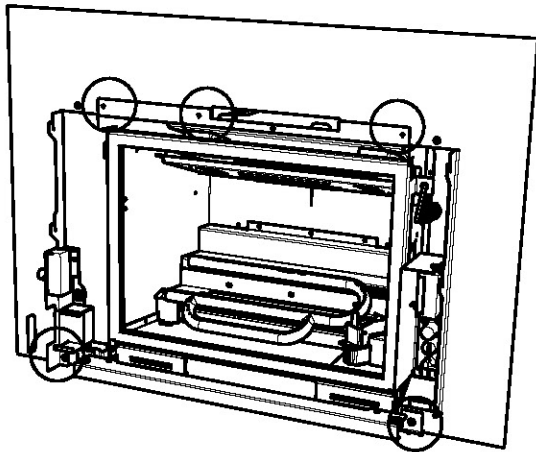


LOW PROFILE FACEPLATE INSTALLATION

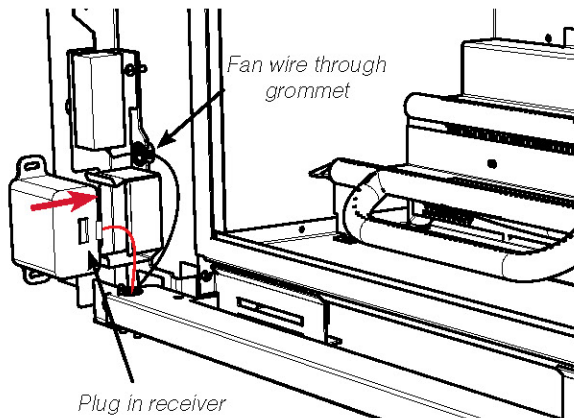
1. * If no spacer required—proceed to Step 2.
If optional spacer is required, secure the faceplate backing to the spacer with 2 screws in locations shown below. Attach faceplate backing and spacer to unit together as shown in Step 2.



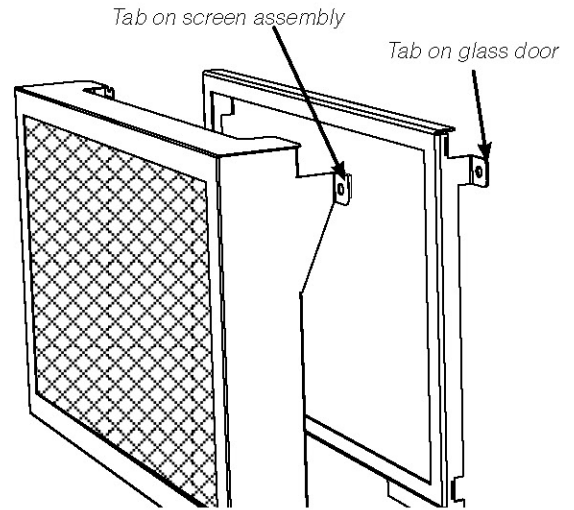
2. Position faceplate backer (and spacer, if required) behind the flange on the unit and secure with 5 screws in location shown below.



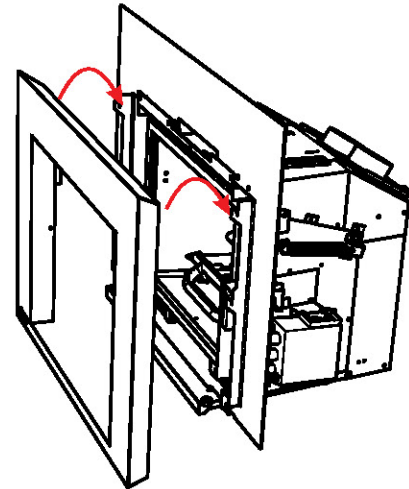
3. Install the receiver into the bracket located on the left side of the backing plate. The receiver is pre-wired to the appliance. Tuck all wires into bracket. See wiring diagram for details.



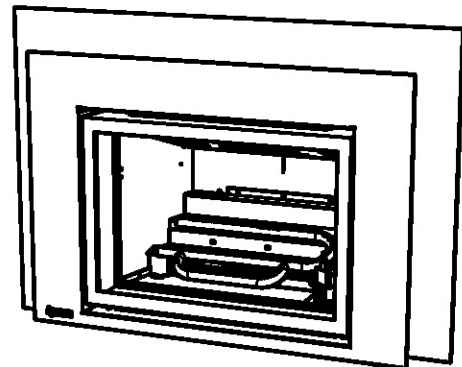
4. Install safety screen over glass door by opening glass door and sliding tab of safety screen over tab of glass door as shown below, then install door and screen together. For further details see manual.



5. Install the outer faceplate by hooking on to the brackets on the faceplate backing.



6. To remove—reverse steps.



HEARTH TRIM INSTALLATION

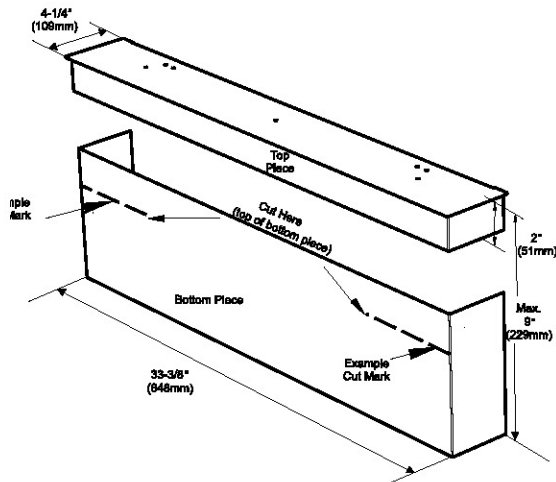
Customize Hearth Trim:

a) The Hearth Trim can be adjusted to custom fit an installation by pulling apart the top piece from the bottom piece.

b) Cut the top of the bottom piece of the hearth trim to the appropriate height using a metal cutting blade.

NOTE: The tab bends at the back of the top piece of the hearth trim should be used as the measuring point to the hearth to measure the height required.

c) Reattach the top piece of the hearth trim to the cut bottom piece by fitting in place.



Hearth Trim Installation:

1) Align the screw holes on the hearth trim brackets with the screw holes on the lower legs of the faceplate backing. Secure in place using 1 screw through hearth trim bracket and lower leg of faceplate backing on each side as shown in Diagram 1.

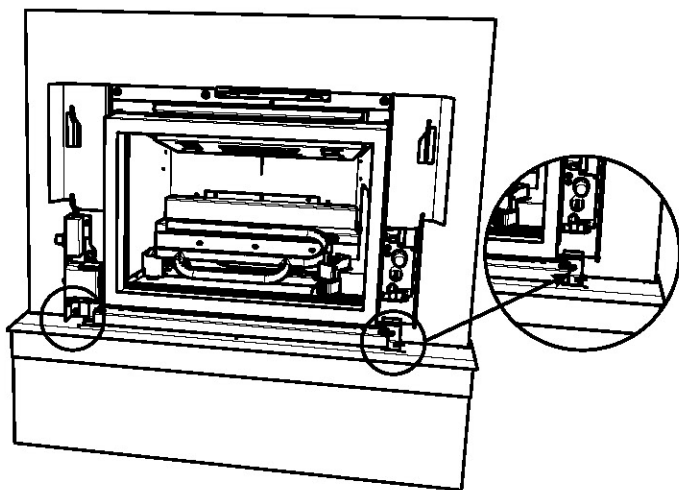


Diagram 1

2) Attach the supplied brackets to the top of the hearth trim with 2 screws. Note: orientation of brackets is different when using spacer.

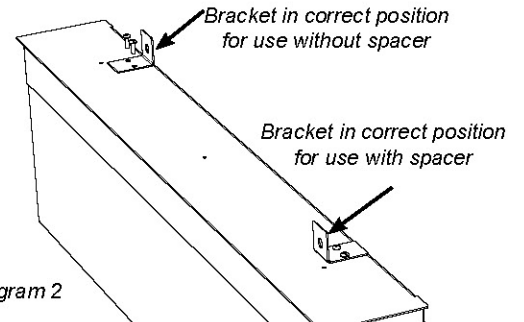
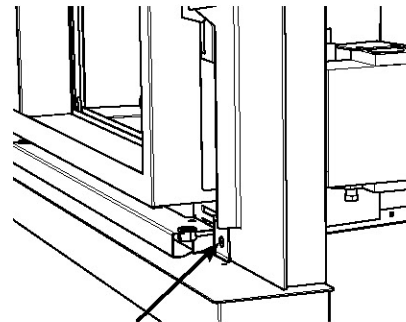


Diagram 2

3) Install the hearth trim through the lower legs of the faceplate backer and spacer together.



Install hearth trim with faceplate backer and spacer together - same location as in Step 1

4) Install outer faceplate.

Completed Hearth Trim Installation:

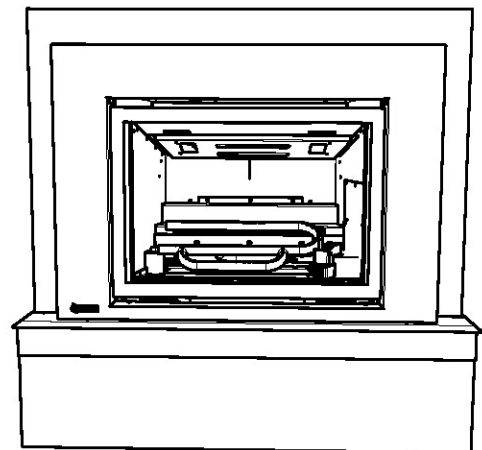


Diagram 4

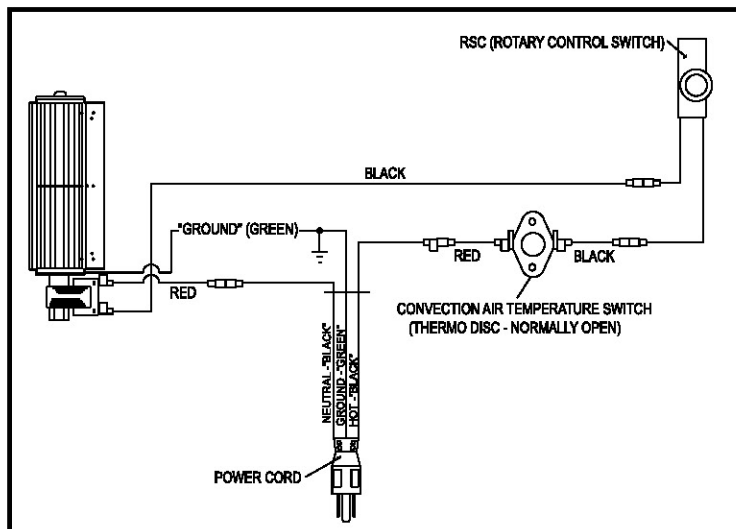
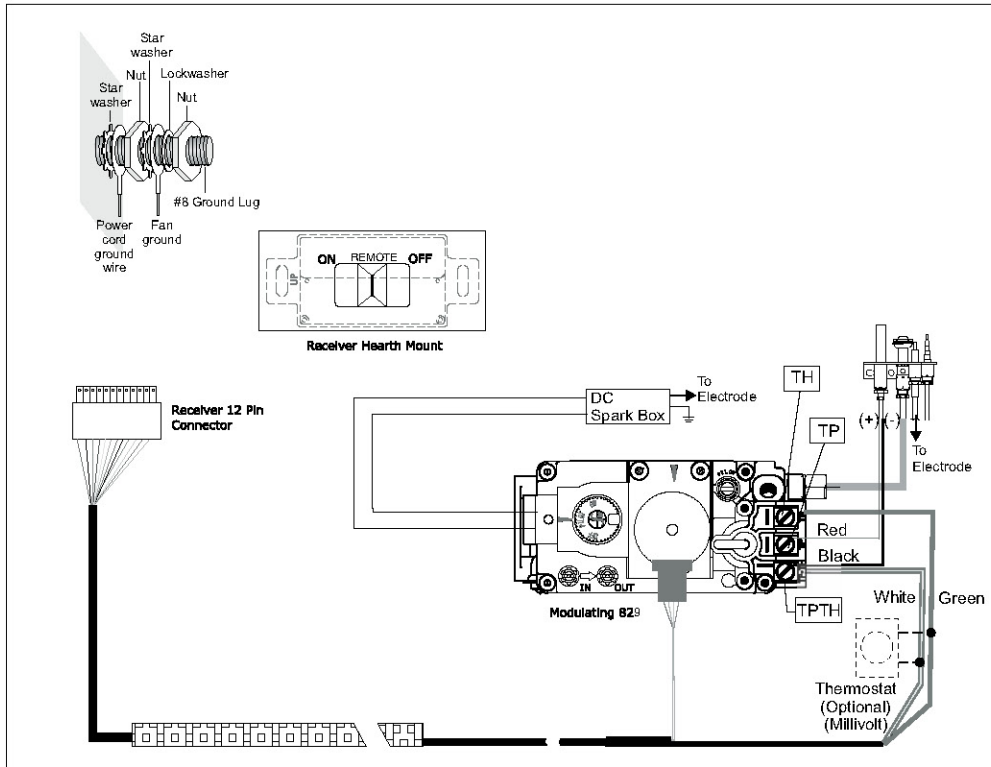
WIRING DIAGRAMS

This heater does not require a 120V A.C. supply for operation. However, a 120V A.C. power supply is needed for the fan/blower operation.

Caution: Ensure that the wires do not touch any hot surfaces and are away from sharp edges.

CAUTION: Label all wires prior to disconnection when servicing controls. Wiring errors can cause improper and dangerous operation.

WARNING: Electrical Grounding Instructions
 This appliance is equipped with a three pronged (grounding) plug for your protection against shock hazard and should be plugged directly into a properly grounded three-prong receptacle. Do not cut or remove the grounding prong from this plug.



OPTIONAL WALL THERMOSTAT

A wall thermostat may be installed if desired, follow the wiring diagram below. Note: the wires are connected to the "TH" on the gas valve. Use the table below to determine the maximum wire length. Regency offers an optional programmable thermostat but any 250-750 millivolt rated non-anticipator type thermostat that is CSA, ULC or UL approved may be used.

It is recommended that the thermostat be installed on an interior wall.

CAUTION
 Do not connect the millivolt wall thermostat wires to the 120V wires.

Thermostat Wire Table	
Recommended Maximum Lead Length (Two-Wire) When Using Wall Thermostat (CP-2 System)	
Wire Size	Max. Length
14 GA.	50 Ft.
16 GA.	32 Ft.
18 GA.	20 Ft.
20 GA.	12 Ft.
22 GA.	9 Ft.

FINAL CHECK

Before leaving this unit with the customer, the installer must ensure that the appliance is firing correctly. This includes:

- 1) Locking the appliance to ensure the correct firing rate (noted on label) at 15 minutes.
- 2) If required, adjusting the primary air to ensure that the flame does not carbon. First allow the unit to burn for 15 min. to stabilize.
- 3) Check for proper draft.

CAUTION
 Any alteration to the product that causes sooting or carboning that results in damage to the exterior fascia is not the responsibility of the manufacturer.

DC SPARK IGNITER BATTERY INSTALLATION

Install the supplied battery into the DC Sparker Box by opening the battery compartment.

NOTE: The battery in the DC Sparker Box will need to be replaced annually.



FIRST FIRE

The first fire in your insert is part of the paint curing process. To ensure that the paint is properly cured, it is recommended that you burn your fireplace for at least four (4) hours the first time you use it with the fan on. When first operated, the unit will release an odour caused by the curing of the paint, the burning off of any oils remaining from manufacturing. Smoke detectors in the house may go off at this time. Open a few windows to ventilate the room for a couple of hours.

The glass panel may require cleaning after the unit has cooled down.

DO NOT ATTEMPT TO CLEAN THE GLASS WHILE IT IS HOT.

Note: When the glass is cold and the appliance is lit, it may cause condensation and fog the glass. This condensation is normal and will disappear in a few minutes as the glass heats up.

DO NOT BURN THE APPLIANCE WITHOUT THE GLASS FRONT IN PLACE.

During the first few fires, a white film may develop on the glass front as part of the curing process. The glass should be cleaned or the film will bake on and become very difficult to remove. Use a non-abrasive cleaner and NEVER clean the glass while it is hot.

OPERATING INSTRUCTIONS

- 1) Read and understand these instructions before operating this appliance.
- 2) Check to see that all wiring is correct and enclosed to prevent possible shock.
- 3) Check to ensure there are no gas leaks.
- 4) Make sure the glass in the door frame is properly positioned. Never operate the appliance with the glass removed.
- 5) Verify that the venting and cap are unobstructed.
- 6) Ensure that the brick panels, if used, are installed.
- 7) Verify log placement. If the pilot cannot be seen when lighting the unit, the logs have been incorrectly positioned.
- 8) The unit should never be turned off, and on again without a minimum of a 60 second wait.
- 9) Hook up remote receiver to wire marked 'receiver'

which will be located on the bottom of the appliance. This remote control requires coding. See remote control instructions for details.

NOTE: This appliance will operate during power outages. Only the fan will not operate until power is restored. If the remote batteries in both the handheld transmitter or receiver lose power, the appliance can still be operated by sliding the switch on the receiver switch from "Remote" to "ON". To turn on the appliance off slide the receiver switch from "ON" to "Remote" or "OFF".

IMPORTANT: The remote control system supplied with this appliance has several options for starting/operating the appliance, please read the remote control operating instructions (packed with remote control) to understand how to operate this remote system. Option to download remote functions video with QR code below.



Proflame video

LIGHTING PROCEDURE

IMPORTANT
Prior to igniting or re igniting the pilot, remove the glass door.

Important: If the pilot does not hold, turn pilot knob to "OFF" position. Wait 5 minutes to clear gas. If you smell gas - STOP! Follow the safety information above. If you don't smell gas, repeat Steps 1-6.

1. Push in gas control knob slightly and turn to "PILOT" position.
2. Push in control knob all the way and hold in until the pilot lights up. Continue to hold the control knob in for about 20 seconds after the pilot is lit. Release knob.
3. Push in gas control knob slightly and turn to "ON" position.
4. Ensure the receiver is in the remote position.

Set Switch to Remote



Diagram 1

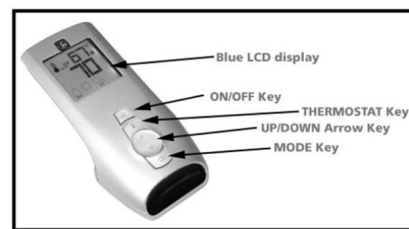
5. Press and release the ON/OFF button on the remote handheld transmitter. An audible beep should be heard from the receiver.



ON/OFF Button

Diagram 2

Remote shown in Manual Mode on Hi



6. The unit will turn on.

SHUTDOWN PROCEDURE

1. Press "OFF" on the remote or slide receiver switch from remote to "OFF".
2. Turn the gas control knob to the "OFF" position to turn off the pilot.

Pilot may be shut off during prolonged non use periods to conserve fuel.