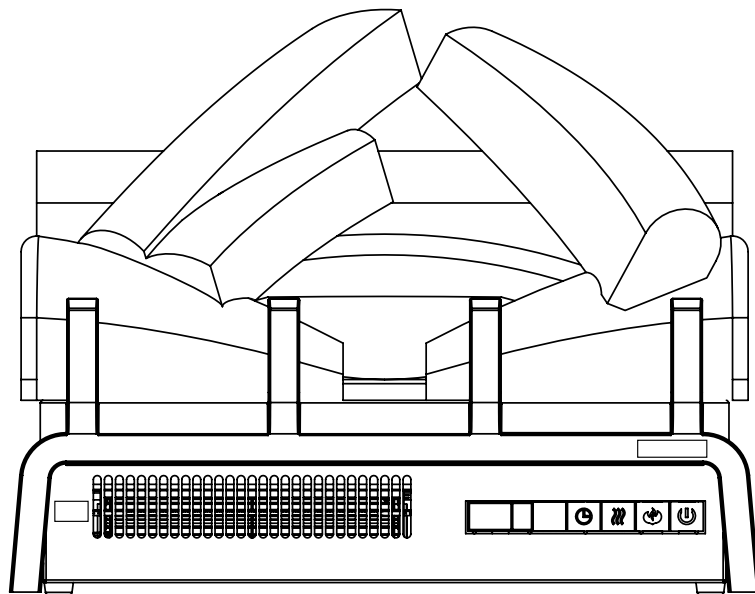




# INSTALLATION AND OPERATION MANUAL

Woodland™ Electric Log Set



**SAFETY INFORMATION**

**⚠ WARNING**

**FIRE OR EXPLOSION HAZARD**

If the information in these instructions are not followed exactly, a fire or explosion may result causing property damage, personal injury, or loss of life.

- Do not store or use gasoline or other flammable vapors and liquids in the vicinity of this or any other appliance.

**INSTALLER:**

Leave this manual with the appliance

**CONSUMER:**

Retain this manual for future reference



**This appliance has a remote that requires button batteries that are hazardous to young children.**

**FOR INDOOR USE ONLY**

**CERTIFIED TO THE CANADIAN AND AMERICAN NATIONAL STANDARDS:  
CSA 22.2 NO. 46 / UL 1278**



Wolf Steel Ltd., 24 Napoleon Rd., Barrie, ON, L4M 0G8 Canada / 103 Miller Drive, Crittenden, Kentucky, USA, 41030  
Phone 1 (866) 820-8686 • www.napoleon.com • hearth@napoleon.com

**! WARNING**

- **If equipped with a heater, this appliance can be hot when operated and can cause severe burns if contacted.**
- Do not operate appliance before reading and understanding operating instructions. Failure to operate appliance according to operating instructions could cause fire or injury.
- Do not install damaged, incomplete or substitute components.
- Do not burn wood or other materials in this appliance.
- All electric appliances have hot and arcing or sparking parts inside. Do not use it in areas where a gas line, paint or flammable liquids are present.
- Any safety screen or guard removed for servicing must be replaced prior to operating the appliance.
- It is imperative that the control compartments, circulating blower and its passageway in the appliance are kept clean. The appliance should be inspected before use and at least annually by a qualified service person. More frequent cleaning may be required due to excessive lint from carpeting, bedding material, etc. The appliance area must be kept clear and free from combustible materials, gasoline and other flammable vapors and liquids.
- Under no circumstances should this appliance be modified.
- Do not use this appliance if any part has been under water. Immediately call a qualified service technician to inspect the appliance and to replace any part of the control system which has been under water.
- If equipped with a glass door, do not operate the appliance with the glass door removed, cracked or broken. Replacement of the glass should be done by a licensed or qualified service person. Do not strike or slam shut the appliance glass door.
- Keep the packaging material out of reach of children and dispose of the material in a safe manner. As with all plastic bags, these are not toys and should be kept away from children and infants.
- Servicing should be done only while the appliance is disconnected from the power supply circuit.
- Always unplug appliance when not in use.
- Do not operate this appliance with a damaged cord or plug after the appliance malfunctions, has been dropped or damaged in any manner. Return appliance to authorized service facility for examination, electrical or mechanical adjustment, or repair.
- Do not use outdoors.
- When installing this appliance in a room where water is present, the installation must comply with codes recognizing the increased hazard of electrical shock and electrocution.

**note:**

This appliance is NOT suitable for installation in a bathroom.


- Do not run cord under carpeting. Do not cover cord with throw rugs, runners, or the like. Arrange cord away from traffic area and where it will not be tripped over.
- Connect to properly grounded outlets only.
- Do not insert or allow foreign objects to enter any ventilation or exhaust opening as this may cause an electric shock or fire, or damage the appliance.
- It is normal for your electric appliance to produce noise, especially when installed in a quiet space such as a bedroom.

 **WARNING**

- To prevent a possible fire, do not block air intakes or exhaust in any manner. Do not use on soft surfaces, like a carpet, where openings may become blocked.
- Always plug appliances directly into a wall outlet/receptacle. Never use an extension cord or relocatable power tap (outlet/power strip).
- These appliances are tested and listed for use only with the optional accessories listed in these instructions. Use of optional accessories not specifically tested for this appliance could void the warranty and/or result in a safety hazard.

**For appliances equipped with a heater:**

- Risk of burns. Power to the appliance should be turned off and the appliance allowed to cool before servicing. To disconnect power to the appliance, turn controls to off, then remove plug from outlet.
- Young children should be carefully supervised when they are in the same room as the appliance. Toddlers, young children and others may be susceptible to accidental contact burns. A physical barrier is recommended if there are at risk individuals in the house. To restrict access to an appliance or stove, install an adjustable safety gate to keep toddlers, young children and other at risk individuals out of the room and away from hot surfaces.
- Clothing or other flammable material should not be placed on or near the appliance.
- Due to high temperatures, the appliance should be located out of traffic and away from furniture and draperies.
- Ensure you have incorporated adequate safety measure to protect infants/toddlers from touching hot surfaces.
- Even after the appliance is off, the glass and/or screen will remain hot for an extended period of time.
- Check with your local hearth specialty dealer for safety screens and hearth guards to protect children from hot surfaces. These screens and guards must be fastened to the floor.
- Ensure clearances to combustibles are maintained when building a mantel or shelves above the appliance. Elevated temperatures on the wall or in the air above the appliance can cause melting, discoloration or damage to decorations, a TV or other electronic components.

 **WARNING: This product can expose you to chemicals including lead and lead compounds, which are known to the State of California to cause cancer, and chemicals including BBP and DEHP, which are known to the State of California to cause birth defects or other reproductive harm. For more information, go to [www.P65Warnings.ca.gov](http://www.P65Warnings.ca.gov).**

# table of contents

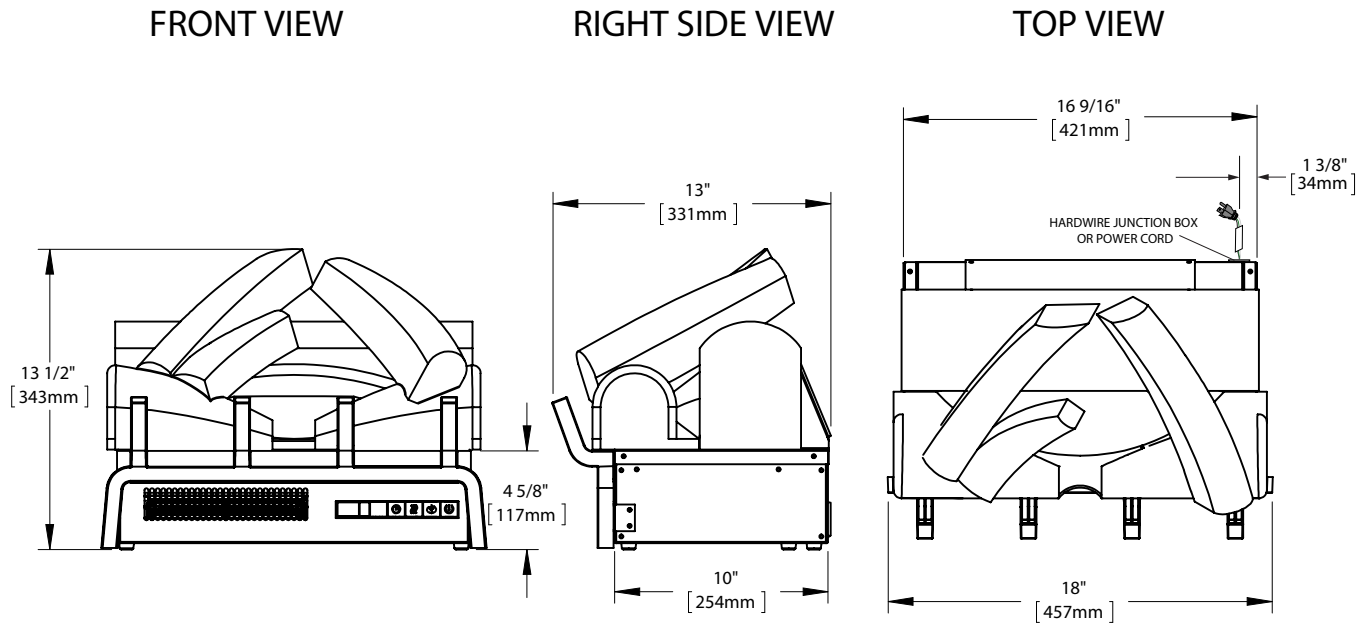
<b>1.0</b>	<b>general information</b>	<b>5</b>
1.1	dimensions	5
1.2	listing approvals	5
1.3	general instructions	5
1.4	rating plate information	6
1.5	label location	6
1.6	locating the log set	7
1.7	grounding log set	7
<b>2.0</b>	<b>installation</b>	<b>8</b>
2.1	log set installation	8
2.1.1	installing log set into existing fireplace	8
2.1.2	installing log set into mantel	9
2.2	hard wiring installation	10
<b>3.0</b>	<b>operating instructions</b>	<b>11</b>
3.1	operating control panel	11
3.2	operating by remote control	12
3.3	remote battery installation	12
<b>4.0</b>	<b>finishing</b>	<b>13</b>
4.1	NEFI18H log placement	13
4.2	charcoal ember placement	14
<b>5.0</b>	<b>wiring diagram</b>	<b>15</b>
<b>6.0</b>	<b>replacement parts</b>	<b>16</b>
6.1	NEFI18H overview	16
<b>7.0</b>	<b>troubleshooting</b>	<b>18</b>
<b>8.0</b>	<b>warranty</b>	<b>19</b>

**NOTE:** Changes, other than editorial, are denoted by a vertical line in the margin.



Batteries must be disposed of according to the local laws and regulations. Some batteries may be recycled, and may be accepted for disposal at your local recycling center. Check with your municipality for recycling instructions.

## 1.1 dimensions



## 1.2 listing approvals

This log set has been tested in accordance with the CSA and UL Standards for fixed and location-dedicated electric room appliances in the United States and Canada. If you need assistance during installation, please contact your local dealer.

**NOTE:** This log set must be electrically wired and grounded in accordance with local codes or, in the absence of local codes, with National Electric Code ANSI/NFPA 70-latest edition in the United States or the Canadian Electric Code, CSA C22.1 in Canada.

<b>Model Number</b>	NEFI18H
<b>Description</b>	18" Electric Logset Insert
<b>Voltage</b>	120V AC
<b>Watts</b>	1500W
<b>Amps</b>	15 AMP Ground-ed Circuit
<b>Appliance Width</b>	18" (457mm)
<b>Appliance Height</b>	13.5" (343mm)
<b>Appliance Depth</b>	13" (330mm)
<b>Net Weight</b>	22.5lbs (10.2kg)
<b>Gross Weight</b>	27.6lbs (12.5kg)

## 1.3 general instructions


- Prior to plugging your appliance into an electrical outlet, verify that the house circuit breakers for the outlet are on.
- The appliance may emit a slight, harmless odour when first used. This odour is normal and it is caused by the initial heating of internal appliance elements and will not occur again.
- If your appliance does not emit heat when called for, consult the "operation" section of this manual for further information.
- Use with a CSA or UL certified surge protector.
- Do not route the power cord directly underneath the appliance.

This electric appliance meets the construction and safety standards of H.U.D. for application in manufactured homes when installed according to these instructions.

As with most electronic devices, your new log set has been designed to operate at temperatures between 5°C (41°F) and 35° C (95°F). During the colder winter months, allow the log set to reach room temperature before turning it on.

# general information

## 1.4 rating plate information

CERTIFIED UNDER CANADIAN AND AMERICAN NATIONAL STANDARD: CSA 22.2 NO. 46 AND UL 1278 / HOMOLOGUÉ SELON LES NORMES NATIONALES CANADIENNES ET AMÉRICAINES: CSA 22.2 NO. 46 UL 1278	
ELECTRIC FIREPLACE. SUITABLE FOR BEDROOM AND BED-SITTING ROOM INSTALLATION. SUITABLE FOR MOBILE HOME INSTALLATION.	FOYER À ÉLECTRIQUE. HOMOLOGUÉ POUR INSTALLATION DANS UNE CHAMBRE À COUCHER, UNE SALLE DE BAIN ET UN STUDIO. APPROPRIÉ POUR INSTALLATION DANS UNE MAISON MOBILE.
	
<b>MASTER CONTRACT: 161746</b>	<b>CONTRAT-CADRE: 161746</b>
<b>MODEL / MODÈLE:</b>	<input type="checkbox"/> NEF18H
<b>VOLTAGE:</b> 120 VAC	<b>TENSION:</b> 120VCA
<b>FREQUENCY:</b> 60Hz	<b>FRÉQUENCE:</b> 60Hz
<b>POWER:</b> 1500W	<b>PUISSANCE:</b> 1500W
<b>DATE CODE:</b>	<b>CODE DE DATE:</b>
DESIGNED IN NORTH AMERICA BY WOLF STEEL LTD.	DÉSIGNÉ AMÉRIQUE DU NORD PAR WOLF STEEL LTD.
MADE IN CHINA	FABRIQUÉ EN CHINE
<b>WOLF STEEL LTD.</b> 24 NAPOLEON ROAD, BARRIE, ON, L4M 0G8 CANADA	<b>SERIAL NUMBER/NO. DE SÉRIE: NEF18</b>
	W385-2143 / B

**INSTALLER:** It is your responsibility to check off the appropriate box on the rating plate according to the model of the appliance.

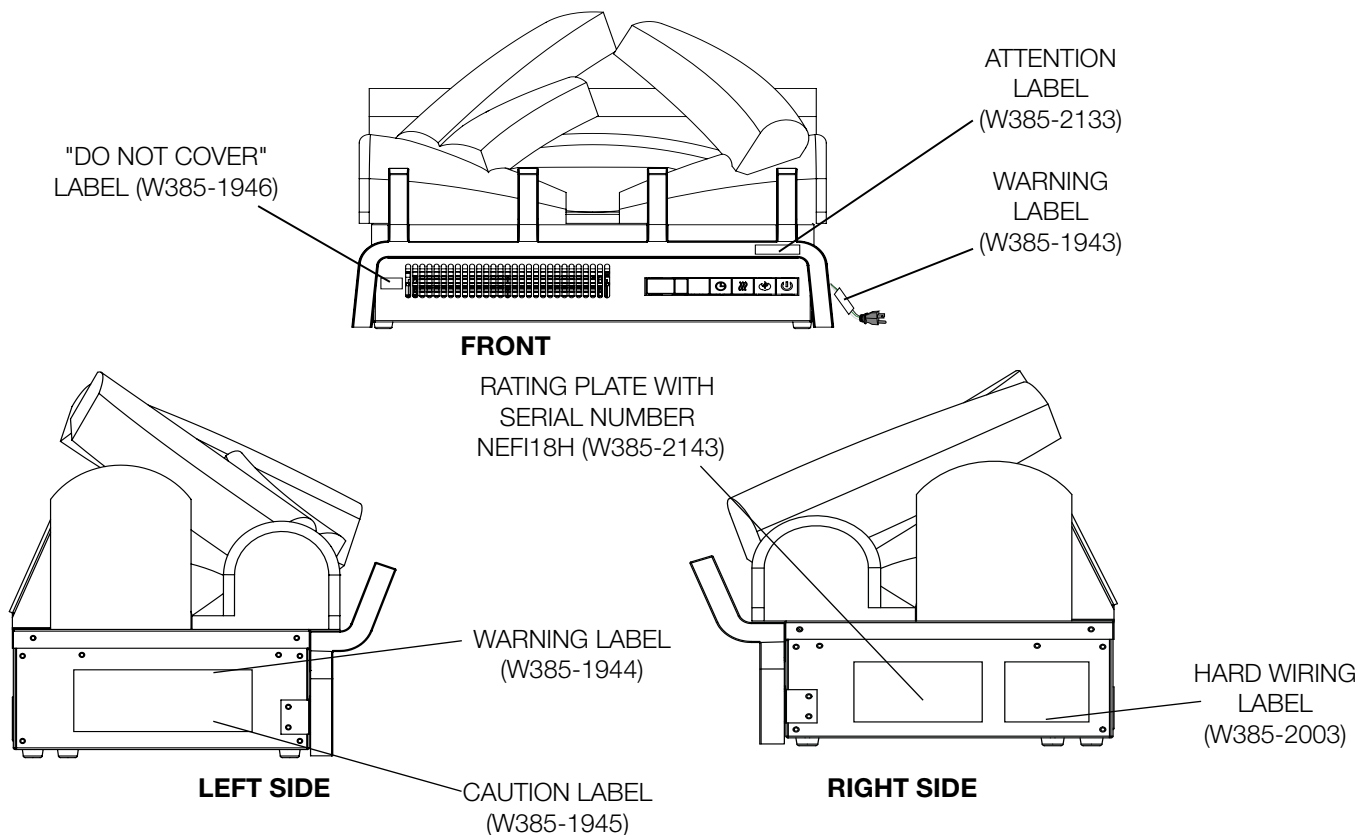
For rating plate location, see "LABEL LOCATION" section.

This illustration is for reference only. Refer to the rating plate on the log set for accurate information.

**NOTE:** The rating plate must remain with the appliance at all times. It must not be removed.

**NOTE:** Do not use the log set during mobile home transportation.

## 1.5 label location



## 1.6 locating the log set

### **! WARNING**

- Due to high temperatures, this electric appliance should be located out of traffic. Keep combustible materials such as furniture, pillows, bedding, papers, clothes, and curtains at least 36" (91.4cm) from the front of the appliance.
- Never locate this electric appliance where it may fall into a bathtub or other water container.
- Wear safety gloves and safety glasses for protection during installation and maintenance.
- To prevent contact with sagging or loose insulation, the electric appliance must not be installed against vapour barrier or exposed insulation. Localized overheating could occur and a fire could result.
- Do not expose the electric appliance to the elements (i.e. rain, snow, etc.).

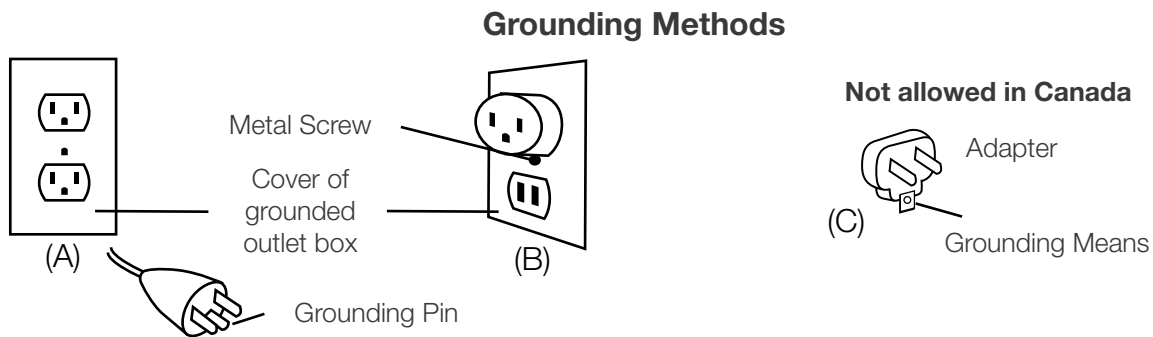
Carefully remove the appliance from the box and remove the support brackets. Prior to installing the appliance, remove all packaging material and test to make sure the appliance operates properly by plugging the power supply cord into a conveniently located 120V, 15 Amp minimum grounded outlet.

## 1.7 grounding log set

This appliance is for use on 120 volts. The cord has a plug as shown in (A). An adapter as shown in (C) is available for connecting three-blade grounding type plugs to two-slot receptacles, as shown in (B).

The green grounding plug extending from the adapter must be connected to a permanent ground such as a properly grounded outlet box. The adapter should not be used if a three-slot grounded receptacle is available.

To disconnect appliance, turn controls to off, then remove plug from outlet.



**note:**

Must be connected to a dedicated 15 amp circuit. The use of an extension cord is NOT permitted.

## 2.0 installation

### **! WARNING**

- Risk of fire! The power cord must not be pinched against a sharp edge. Secure cord to avoid tripping or snagging to reduce the risk of fire, electric shock, or personal injury. Do not run cord under carpeting. Do not cover cord with throw rugs, runners, or similar items. Arrange cord away from traffic areas and where it will not be tripped over.
- Risk of fire! To prevent a possible fire, do not block air intake or exhaust in any manner. Do not use on soft surfaces where openings may become blocked.
- Risk of fire! Do not blow or place insulation against the appliance.
- This electric appliance is tested and listed for use only with the approved optional accessories. Use of optional accessories not specifically tested for this electric appliance could void the warranty and/or result in a safety hazard.
- If the information in these instructions is not followed exactly, a fire or explosion may result causing property damage, personal injury, or death. Do not store or use gasoline or other flammable vapors in the vicinity of this or any other appliance.
- This appliance is heavy. It is highly recommended that two people install this appliance.
- If your appliance is equipped with a heater, ensure the heater vents cannot, in any way, be covered as it may create a fire hazard.
- Do not run the power cord horizontally, directly below the appliance.

**NOTE:** Follow all National and local electrical codes.

### 2.1 log set installation

The log set can be installed in any location. It is suggested to install the log set into an existing fireplace or a wood mantel for aesthetic purposes. When installed, ensure the log set is stable and not apt to tip.

Select a suitable location that is not susceptible to moisture and is away from drapes, furniture, and high traffic areas.

#### 2.1.1 installing log set into existing fireplace

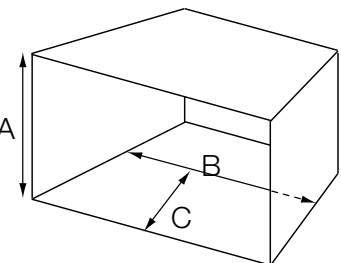
**NOTE:** Clean fireplace prior to installing log set to prevent debris and/or ash from entering the heater.

A. The log set insert must be installed in an opening with the minimum cavity sizes shown below:

#### MINIMUM FIREPLACE CAVITY SIZE

	HEIGHT	WIDTH	DEPTH
LOG SET	A	B	C
NEF118H	14" (356mm)	18" (472mm)	14" (356mm)

Do not install the log set into a cavity smaller A than that referenced in the table.



B. Place the log set in a position which provides optimum flame performance. To achieve flame effect, the log set should be 2" away from the rear wall.

**NOTE:** Seal all chimney drafts with non-combustible materials to prevent any chimney debris from falling onto the log set. Cap the top of the chimney flue to prevent rain from entering.

Plug the log set into an outlet which has a 15Amp, 120V rating. If it is necessary to hard wire the log set, see "HARD WIRING INSTALLATION" section.

**WARNING:** Due to the high temperatures, do not use existing fireplace doors which close or seal off the log set. If installed behind any fireplace door, allow heat to be exhausted. If using existing screens, the screen must provide adequate airflow in front of the log set.



## 2.1.2 installing log set into mantel

**NOTE:** To prevent damaging the base of the mantel, carefully lift the log set into the mantel while avoiding contact with the front edge of the mantel base.

- A. Lift the log set up and insert into the opening. Do not push or slide the bottom of the log set on the floor base (Figure 1).
- B. Set the log set down and into place (Figure 2).

**NOTE:** To achieve flame effect, the log set should be 2" away from the rear wall.

Fig. 1

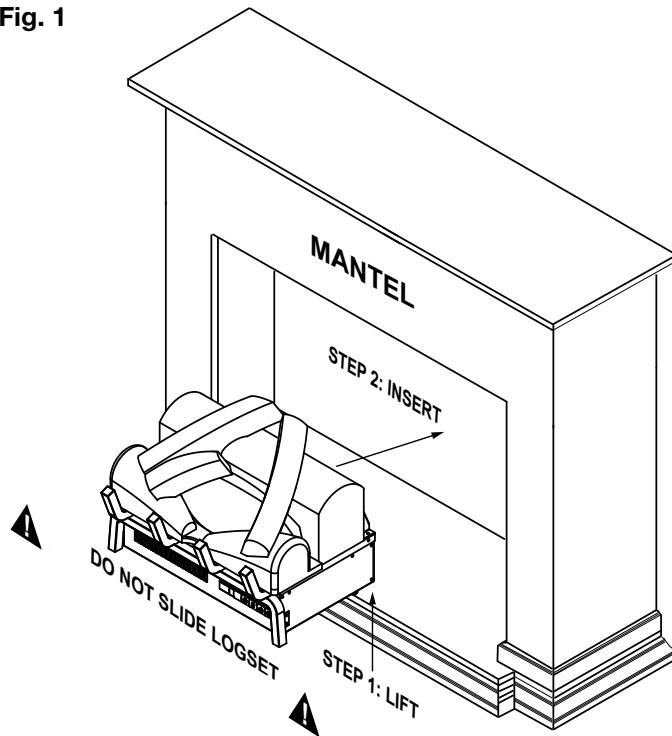
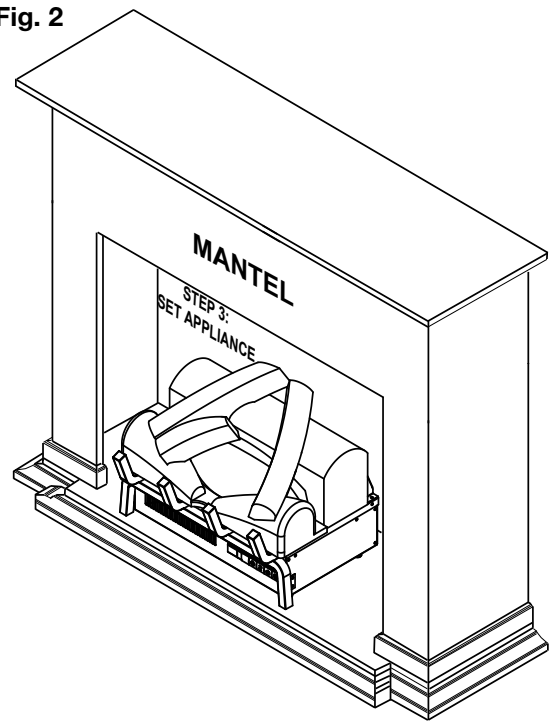


Fig. 2



## ! WARNING

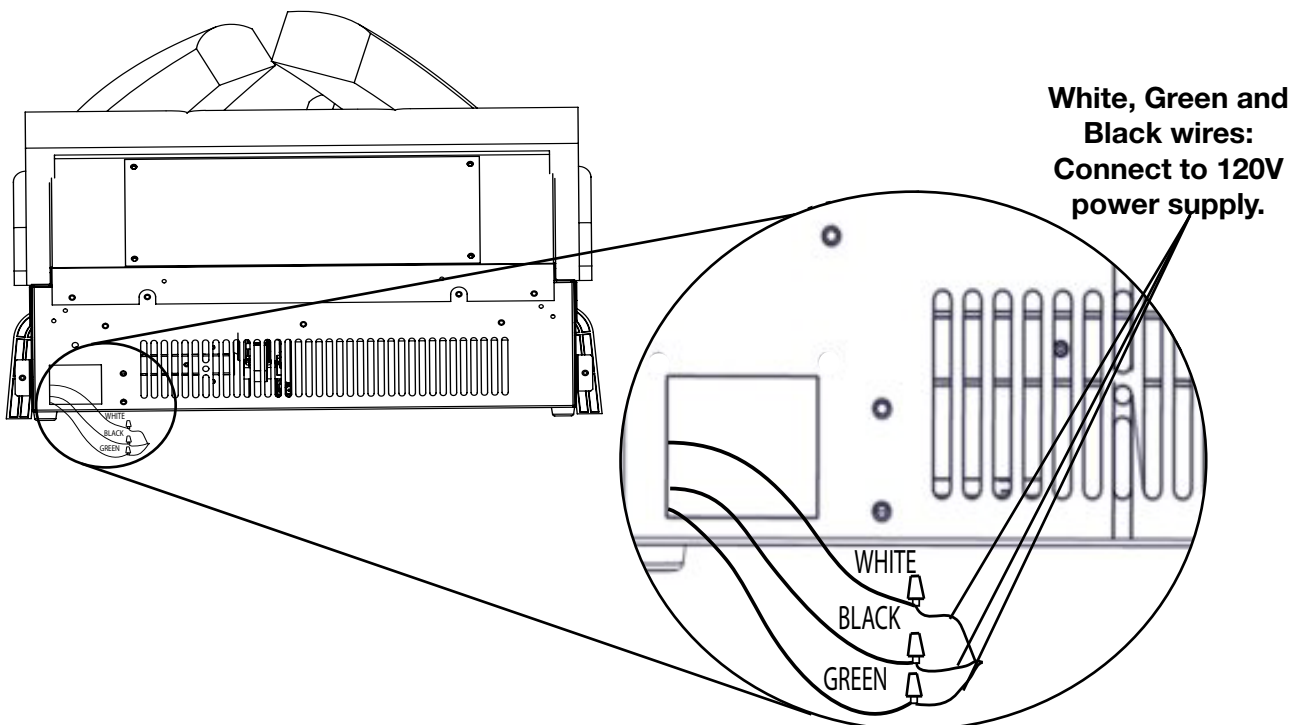
- Turn off the appliance completely and let cool before servicing. Only a qualified service person should service and repair this electric appliance.

### HARD WIRING CONNECTION

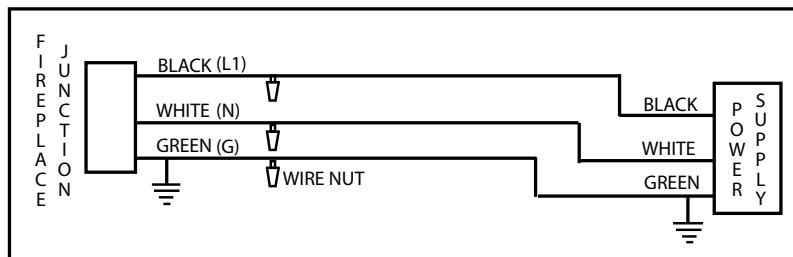
If it is necessary to hard wire the appliance, a qualified electrician must remove the cord connection, and wire directly to the household wiring. The wire and power supply breaker must be rated for 120V and a minimum of 15 Amps.

This log set must be electrically connected and grounded in accordance with local codes, if hard wired. In the absence of local codes, use the current CSA C22.1 CANADIAN ELECTRICAL CODE in Canada or the current ANSI/NFPA 70 NATIONAL ELECTRICAL CODE in the United States.

**NOTE: There are 3 wires from the appliance junction; white (neutral), black (power L1) and green (ground) that connect to 120V power supply (breaker panel), see below.**



- Remove the securing screws (2) from the electrical cover plate, located on the rear of the log set.
- Add an electrical box connector and feed the supply wires through the 7/8" (22mm) hole.
- Separate the black, white and green wires that have the wire nuts on them.
- Remove the wire nuts and secure the black wire (power L1) to the black (power L1) lead of the power supply. Connect the white wire from the appliance to the white (neutral) wire from the power supply. Connect the green wire to the ground wire.
- Resecure the cover plate.



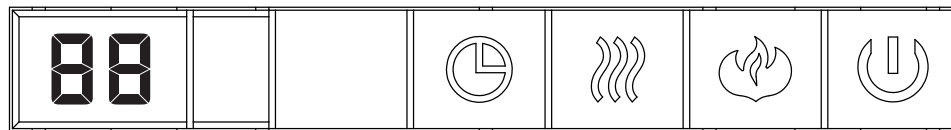
**NOTE: To aid with moving the appliance, leave enough wire so that the log set can be removed from the enclosure without disconnecting the power supply. If servicing, shut off power supply.**






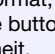

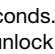

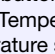
Once the log set has been plugged into a grounded electrical outlet or hard wired to a dedicated grounded 120V power supply, it is ready to operate.

**ATTENTION:** Ensure the house circuit breakers for the power supply are turned on. When initially connecting the appliance into a power source, the appliance will perform an LED check. The appliance will flash on and off for 5 seconds then remain off until turned on by control panel or remote.

## 3.1 operating control panel

The Control Panel is located on the front of the log set.



<b>Power</b>		Turns the appliance ON/OFF.
<b>Flame &amp; Ember Light Control</b>		Controls Flame brightness and the Ember Light. <b>5 Settings:</b> Flame & Ember off (FO), Ember on but Flame off (LL), small Flame & Ember (F1), medium Flame & Ember (F2), brightest Flame and Ember (F3). Default setting is (F3).
<b>Heater Control</b>		Turns the Heater and Blower ON/OFF. <b>4 Settings:</b> Heater & Blower off (HO), Blower on (BL), low heat (H1), high heat (H2). Default setting is (HO).
<b>Timer</b>		Timer can be programed to run appliance for specific lengths of time (30mins. minimum to 6hrs maximum). Default setting is Timer de-select.
<b>F° / C° Switch</b>	 Hold 5 seconds	To change temperature format, Fahrenheit or Celsius. Press and hold the Flame button  for 5 seconds. Default setting is Fahrenheit.
<b>Heater Lock</b>	 Hold 5 seconds	Heater button can be locked or unlocked by holding the Heater button  for 5 seconds. Default setting is heater unlock
<b>Temperature Control</b>	 Hold 5 seconds	Press and hold the Timer button  for 5 seconds. This will change the button to Temperature Control, or vice versa. There are 7 temperature settings (61°F, 64°F, 70°F, 75°F, 81°F, 85°F and OFF). Default setting is de-select Temperature Control.






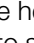

# operating instructions

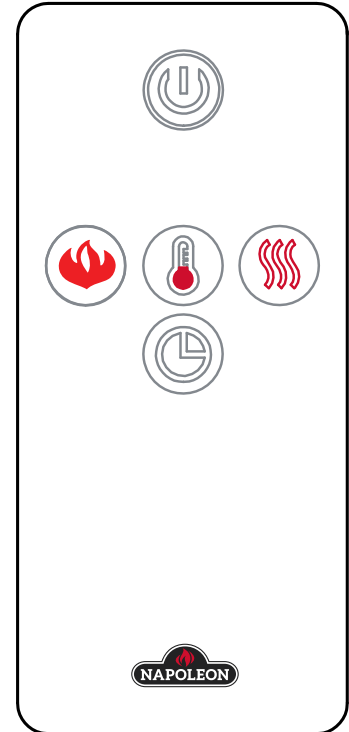
## 3.2 operating by remote control

### **! WARNING**

- To avoid danger of suffocation, keep the packaging bag away from babies and children. Do not use in cribs, beds, carriages, or play pens. This bag is not a toy. Knot before throwing away.

**NOTE:** When operating the remote control, it must be directed towards the front center of the log set.

- A.** The power button can be used to turn the log set on/off. Pressing this button  activates the power to the log set. Pressing the power button again will turn off the log set. The ember and log will fade after 4 seconds after turning off the log set.
- B.** To adjust the flame brightness and ember log light, press the flame button . There is  one ember log light and three flame brightness levels to cycle through and then an off setting (LL, F1, F2, F3 and then F0). F3 is the brightest flame level, LL is the ember log light only.
- C.** To control the thermostat function, press the thermostat button . There are  7 temperature settings (61°F, 64°F, 70°F, 75°F, 81°F 85°F and off). The default setting will display Fahrenheit. Press the thermostat button to cycle through the settings. Once you have selected the desired temperature, the heater will automatically operate until that temperature is reached. When the room temperature is 2 degrees lower than the temperature setting, the heater will turn on.
- D.** To activate the heater and blower, press the heater button , the blower will turn on. Press the heater button again to set desired low or high heat temperature; press the heater button again to turn off the heater.
- E.** The timer controls all operating modes of the log set. To activate the timer, press the timer button , the icon will illuminate and the time will appear on the LED display. To choose the desired time, continue to press the timer button, there are 8 settings (30mins, 1h, 2h, 3h, 4h, 5h, 6h and off). The fireplace will turn off at the setting time.
- F.** To turn off the log set, press the power button once on the remote, or press the power button once on the control panel on the appliance.



**NOTE:** This handheld remote control must remain within 6 meters or 19 feet of the log set to be effective.

### 3.3 remote battery installation

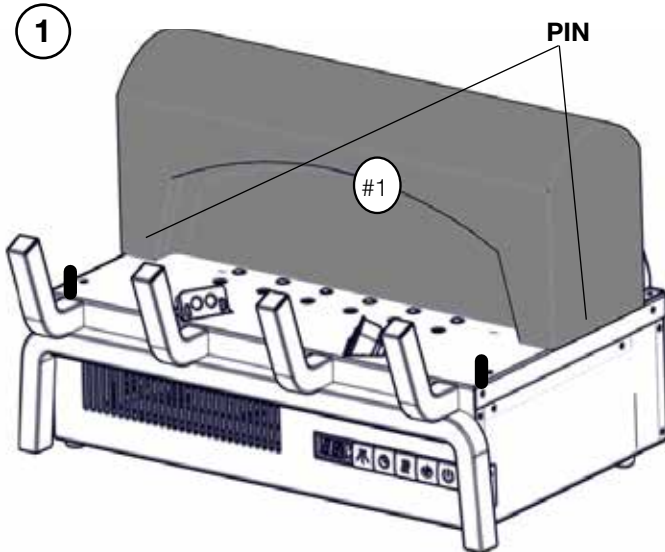
- To replace the existing battery, remove the battery holder.
- To remove the battery holder, turn remote onto front side and press the left side lever towards the center while pulling the battery holder out using the slot provided.
- Replace existing battery, type CR 2025, with a new battery and reinstall the battery holder into the remote by sliding it into position, as shown.
- Battery cover is secure onto the remote control when a "CLICKING" noise is heard.



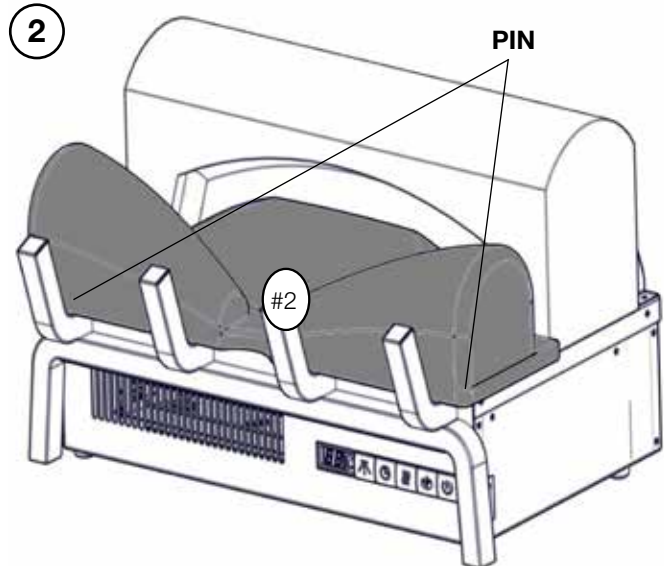
## ! WARNING

- Power supply service must be completed prior to finishing to avoid reconstruction.
- Heat vents and air openings cannot be covered in any circumstances.

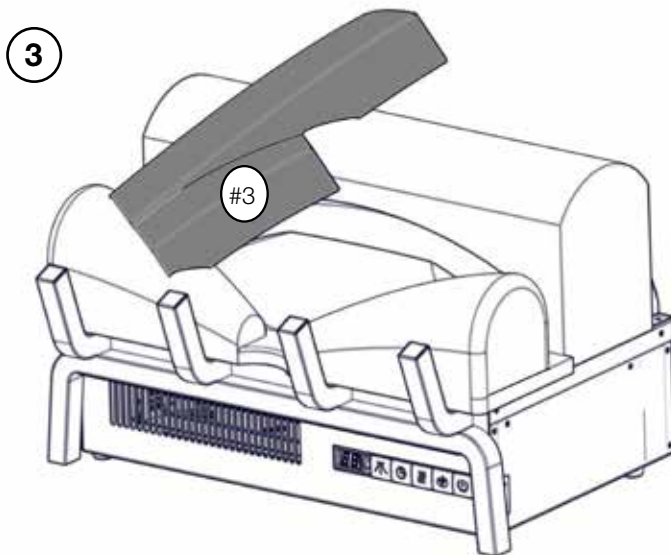
### 4.1 NEFI18H log placement



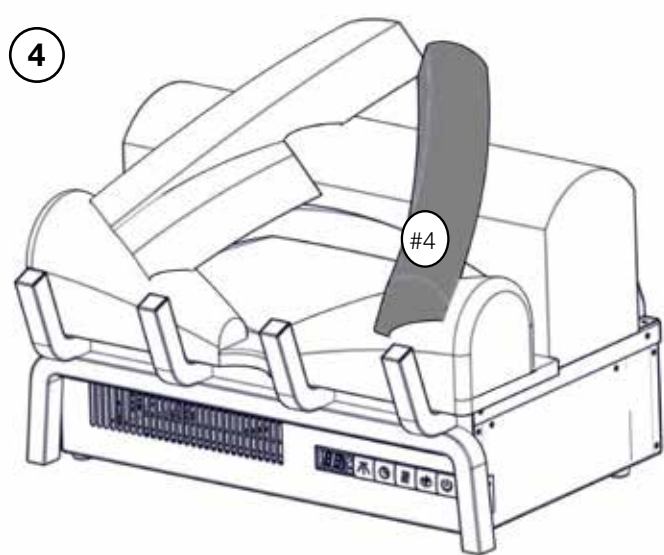
Place the log (#1) onto the pins. Ensure the log is secure onto the pins, as shown.



Place the log (#2) onto the pins. Ensure the log is secure onto the pins, as shown.



Place the log (#3) into the groove. Ensure the log is secure, as shown.



Place log (#4) into the groove. Ensure the log is secure, as shown.

## 4.2 charcoal ember placement

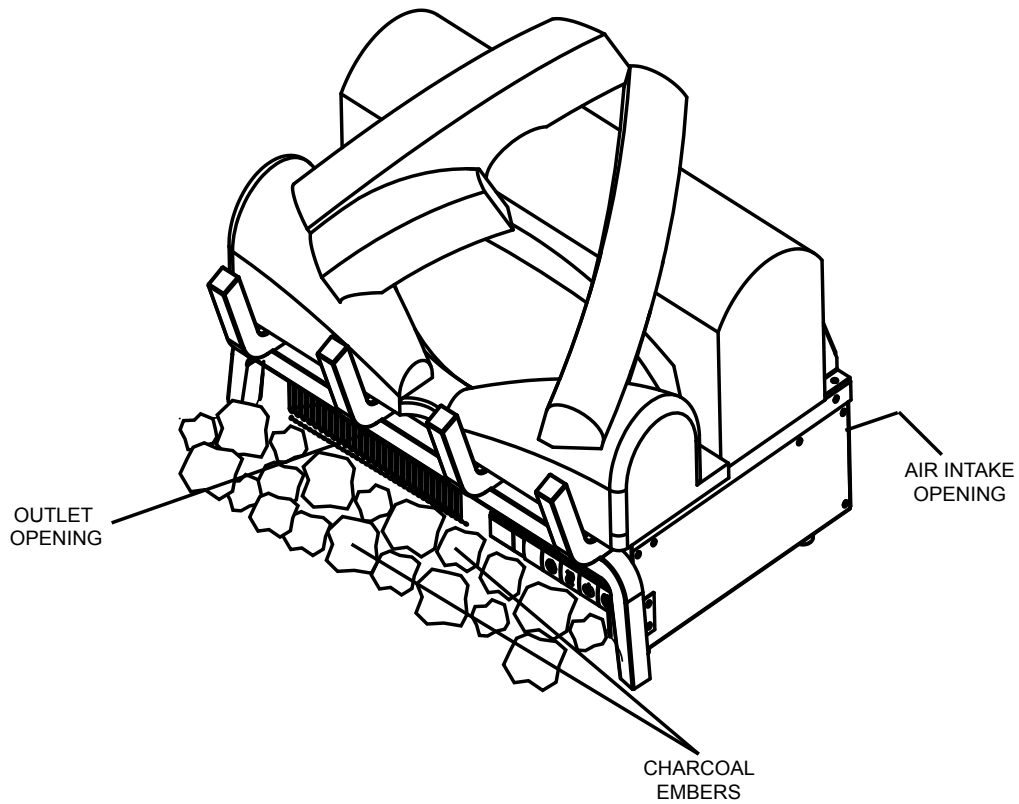
**! WARNING**

- To avoid danger of suffocation, keep the packaging bag away from babies and children. Do not use in cribs, beds, carriages, or play pens. This bag is not a toy. Knot before throwing away. Prevent embers from being swallowed.

- A.** Place the charcoal ember around the front and sides of the firebox, as indicated on the diagram below.

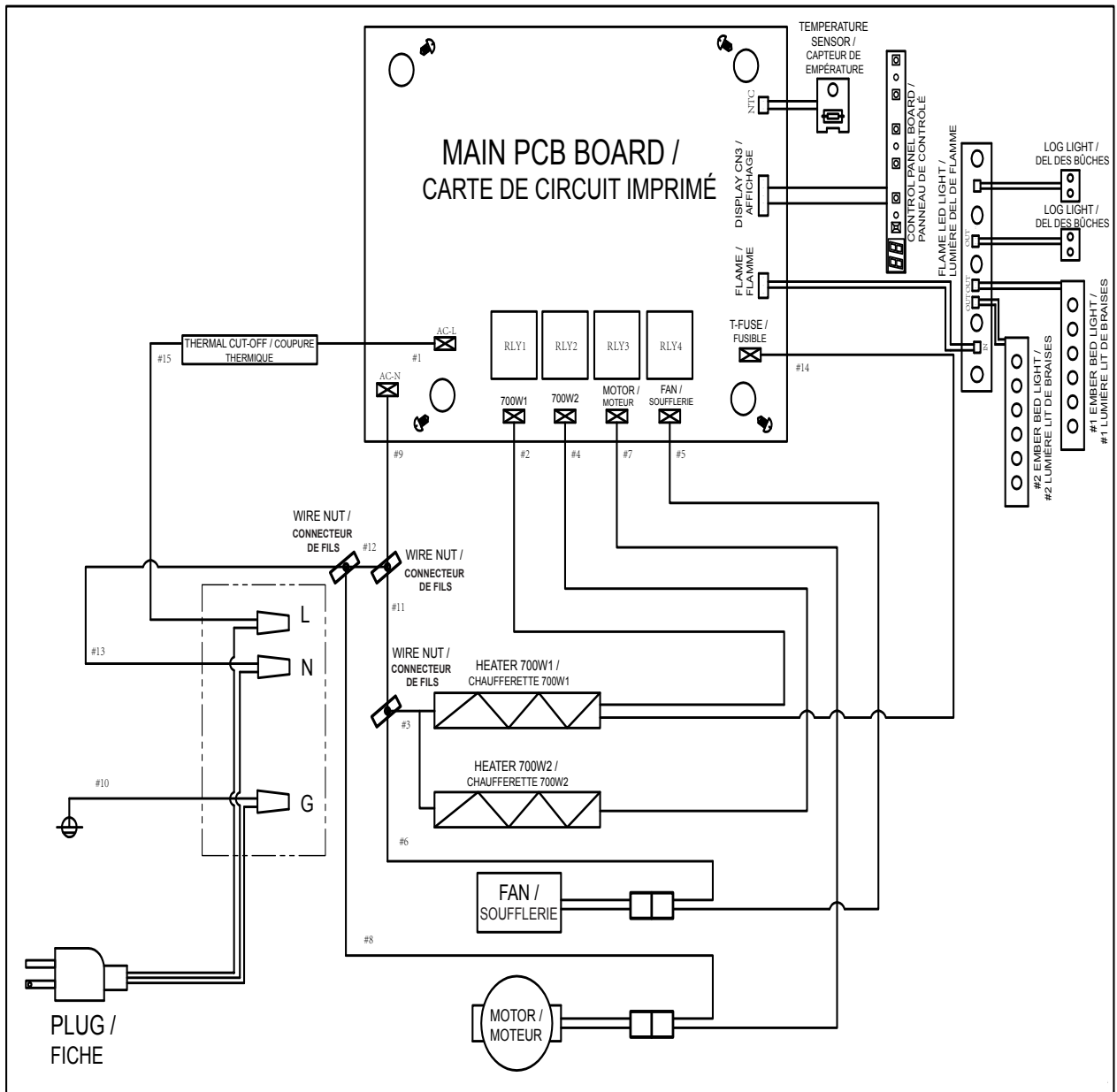
**Fine dust found in the bottom of the bag should not be used.**

**NOTE: DO NOT BLOCK AIR INTAKE OPENING AND OUTLET WITH CHARCOAL EMBERS.**



**! WARNING**

- Turn off the appliance completely and let cool before servicing. Only a qualified service person should service and repair this electrical appliance.



## 6.0 replacement parts

### WARNING

- Failure to position the parts in accordance with this manual or failure to use only parts specifically approved with this appliance may result in property damage or personal injury.

Contact your dealer for questions concerning prices and policies on replacement parts. Normally, all parts can be ordered through your Authorized dealer / distributor.

**For warranty replacement parts, a photocopy of the original invoice will be required to honour the claim.**

When ordering replacement parts always give the following information:

- Model & Serial Number of appliance
- Installation date of appliance
- Part number
- Description of part
- Finish

**Parts, part numbers, and availability are subject to change without notice.**

**Parts identified as stocked will be delivered within 2 to 5 business days for most delivery destinations.**

**Parts not identified as stocked will be delivered within a 2 to 4 week period, for most cases.**

**Parts identified as 'SO' are special order and can take up to 90 days for delivery.**

For after sales service, please call 1-866-820-8686

### 6.1 NEFI18H overview

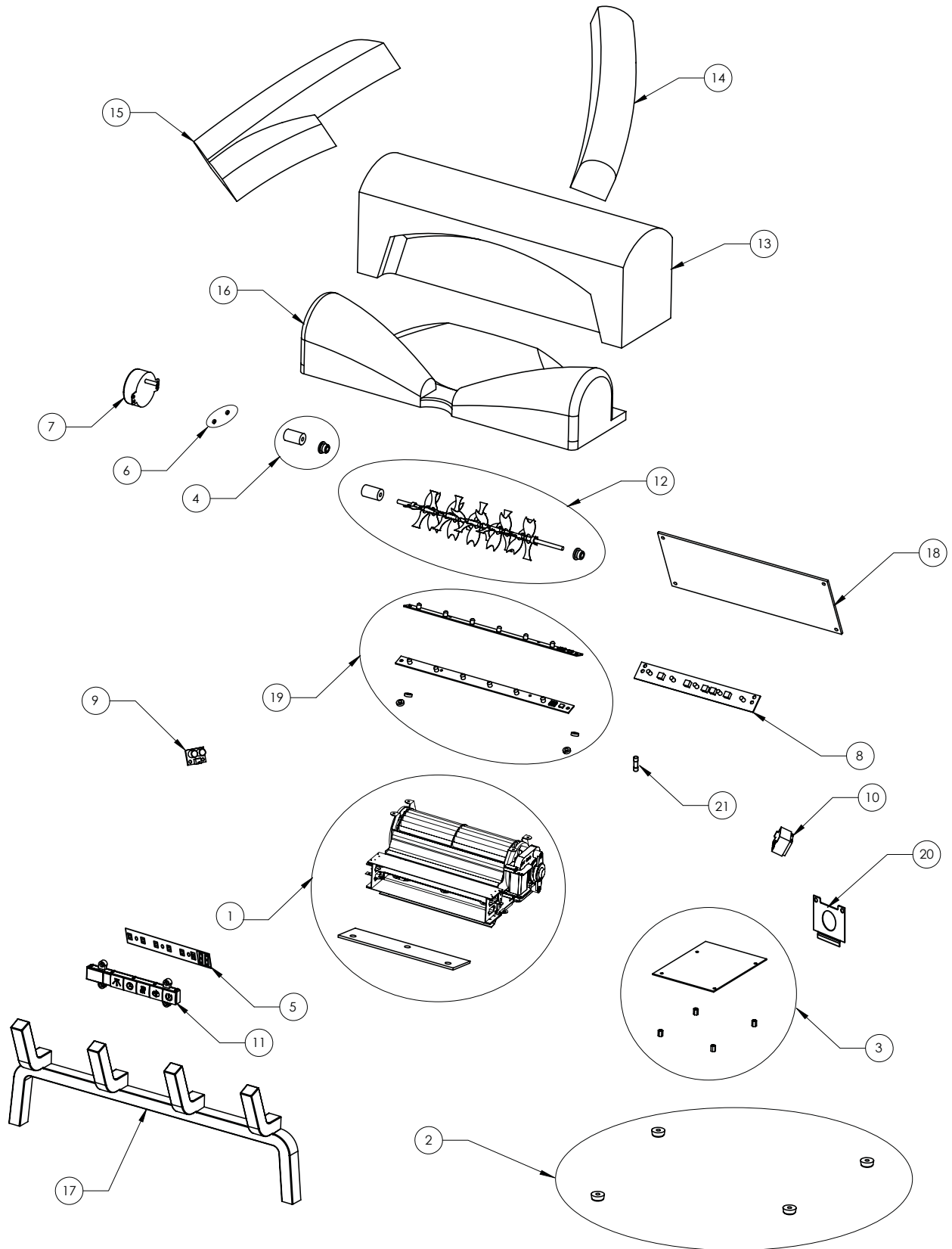
ITEMS MAY NOT APPEAR EXACTLY AS ILLUSTRATED

REF. NO.	PART NUMBER	DESCRIPTION	STOCKED
1	G010-0079-SER	HEATER AND BLOWER ASSEMBLY	YES
2	G510-0002-SER	PLASTIC BUMPER (4 PCS)	YES
3	G190-0005-SER	PCB BOARD (w/ 4 SPACERS)	YES
4	W105-0020-SER	BUSHINGS, ROTISSERIE	YES
5	G190-0006-SER	CONTROL PANEL PCB	YES
6	W290-0349-SER	RUBBER MOTOR GASKET	YES
7	W435-0079-SER	SYNCHRONOUS MOTOR	YES
8	W405-0040-SER	FLAME LED	YES
9	G405-0012-SER	LED, LOG	YES
10	W350-0777-SER	HOUSING, LOG LED	YES

REF. NO.	PART NUMBER	DESCRIPTION	STOCKED
11	G010-0081-SER	CONTROL PANEL	YES
12	W010-3929-SER	REFLECTOR SPINDLE ASSEMBLY	YES
13	W135-0623-SER	REAR LOG	YES
14	W135-0621-SER	TOP RIGHT LOG	YES
15	W135-0622-SER	TOP LEFT LOG	YES
16	W135-0624-SER	FRONT LOG	YES
17	W185-0043-SER	GRATE	YES
18	W497-0025-SER	FLAME COVER	YES
19	W405-0023-SER	EMBER LED	YES
20	G200-0010-SER	HARDWIRE HOUSING COVER	YES
21	W285-0002-SER	FUSE 2 Amp	YES



**NOTE:** Care must be taken when removing and disposing of any broken glass or damaged components. Be sure to vacuum up any broken glass from inside the appliance before operation.



## 7.0 troubleshooting

### WARNING

- Turn off the appliance completely and let cool before servicing. Only a qualified service person should service and repair this electric appliance.

symptom	problem	solution
Appliance will not come on when power button/switch is put into the "on" position.	Appliance is not plugged into an electrical outlet.	Check plug, and plug in the appliance if necessary.
	Hard-wire connections are not correct (if applicable).	See "hard-wiring installation" section.
	Appliance has overheated and safety thermal switch has tripped.	Unplug power or turn off the circuit breaker, allow appliance to cool for 15 minutes, then plug in the appliance or turn the breaker on.
	Main PCB board issue.	Inspect the circuit board and replace, if necessary.
Appliance turns off and will not turn on.	House circuit breaker has tripped.	Reset house circuit breaker.
	Appliance's fuse has blown.	Replace the fuse.
	Appliance has overheated and safety thermal switch has tripped.	Unplug power or turn off the circuit breaker, allow appliance to cool for 15 minutes to reset the thermal switch, then plug in the appliance or turn the breaker on.
Appliance has returned to default settings.	Power failure.	Re-program appliance to original settings (not applicable with all appliances).
Remote control does not work.	Low/dead batteries.	Replace batteries in remote control.
	Remote receiver malfunction.	Ensure remote receiver is not blocked. Replace control panel.
No warm air coming out of the appliance.	Heater setting not selected.	See "operation" section.
	Heater has been locked out.	See "operation" section.
	Room temperature is higher than appliance setting (if set to room temperature).	Reset temperature setting.
	Appliance has overheated and safety thermal switch has tripped.	Unplug power or turn off the circuit breaker. Allow for appliance to cool for 15 minutes.
	Hard-wire connections are not correct (if applicable).	See "hard-wiring installation" section.
	Heater issue.	Inspect the blower and heater and replace, if necessary.
Heater shuts off automatically.	Room is too warm.	The heater has a built-in thermostat so it will shut off automatically once the pre-set temperature is reached. It will also turn on automatically if the room temperature drops below the pre-set temperature.
Dim or no flame.	Flame brightness not selected.	See "operation" section.
	Flame LEDs issue.	Inspect the LED and replace, if necessary.
	Main PCB board issue.	Inspect the main PCB board and replace, if necessary.
Flame does not move.	Motor is stalled/malfunctioning.	Cycle on/off. If problem persists, consult dealer.
Ember bed is not glowing or dimming.	Brightness not selected.	See "operation" section.
	Ember LED issue.	Inspect the ember bed LEDs and replace, if necessary.
	Main PCB board issue.	Inspect the main PCB board and replace, if necessary.
LED flashing "OH".	Appliance has overheated and safety thermal switch has tripped.	Unplug power or turn off the circuit breaker. Allow appliance to cool for 15 minutes, then plug in the appliance or turn the breaker on. If problem persists, consults your dealer.

**Napoleon** electric appliances are manufactured under the strict Standard of the world recognized ISO 9001 : 2015 Quality Management System.

**Napoleon** products are designed with superior components and materials and assembled by trained craftsmen who take great pride in their work. Once assembled, the complete appliance is thoroughly inspected by a qualified and authorized installer, service agency, or supplier before packing to ensure that you, the customer, receive the quality product that you expect from **Napoleon**.

### Napoleon Electric Appliance Standard Warranty

Electrical components and wearable parts are covered and **Napoleon** will provide replacement parts free of charge during the first year of standard warranty. This covers: fan/heaters, motors, switches, nylon bearing components, remote controls, and LED lights.\*

Light bulbs and fuses are NOT covered by the warranty.

Any labour related to warranty repair is not covered.

\* Construction of models vary. Warranty applies only to components included with your specific appliance.

### Conditions and Limitations

**Napoleon** warrants its products against manufacturing defects to the original purchaser only. Registering your warranty is not necessary. Simply provide your proof of purchase along with the model and serial number to make a warranty claim. Provided that the purchase was made through an authorized **Napoleon** dealer, your appliance is subject to the following conditions and limitations:

Warranty coverage begins on the date of original installation.

This factory warranty is non-transferable and may not be extended whatsoever by any of our representatives.

Installation must be done in accordance with the installation instructions included with the product and all local and national building and fire codes.

This standard warranty does not cover damages caused by misuse, lack of maintenance, accident, alterations, abuse, or neglect and parts installed from other manufacturers will nullify this warranty.

This standard warranty further does not cover any scratches, dents, corrosion, or discolouring caused by excessive heat, abrasive and chemical cleaners, nor chipping on porcelain enamel parts, mechanical breakage of PHAZER™ logs.

In the first year only, this warranty extends to the repair or replacement of warranted parts which are defective in material or workmanship, provided that the product has been operated in accordance with the operation instructions and under normal conditions.

**Napoleon** will not be responsible for installation, labour, or any other expenses related to the reinstallation of a warranted part, and such expenses are not covered by this warranty. Notwithstanding any provisions contained in the Standard Warranty, **Napoleon** responsibility under this warranty is defined as above, and it shall not in any event extend to any incidental, consequential, or indirect damages.

This warranty defines the obligations and liability of **Napoleon** with respect to the **Napoleon** electric appliance and any other warranties expressed or implied with respect to this product; its components or accessories are excluded.

**Napoleon** neither assumes, nor authorizes any third party to assume, on its behalf, any other liabilities with respect to the sale of this product.

Any damages to appliance, brass trim or other component due to water, weather damage, long periods of dampness, condensation, damaging chemicals, or cleaners will not be the responsibility of **Napoleon**.

**Napoleon** reserves the right to have its representative inspect any product or part thereof prior to honouring any warranty claim.

All parts replaced under the Standard Warranty Policy are subject to a single claim.

All parts replaced under the warranty will be covered for a period of 90 days from the date of their installation.

The manufacturer may require that defective parts or products be returned or that digital pictures be provided to support the claim. Returned products are to be shipped prepaid to the manufacturer for investigation. If a product is found to be defective, the manufacturer will repair or replace such defect.

Before shipping your appliance or defective components, your dealer must obtain an authorization number. Any merchandise shipped without authorization will be refused and returned to sender.

Shipping costs are not covered under this warranty.

Additional service fees may apply if you are seeking warranty service from a dealer.

All specifications and designs are subject to change without prior notice due to on-going product improvements. **Napoleon** is a registered trademark of Wolf Steel Ltd.

# NAPOLEON CELEBRATING OVER 40 YEARS OF HOME COMFORT PRODUCTS



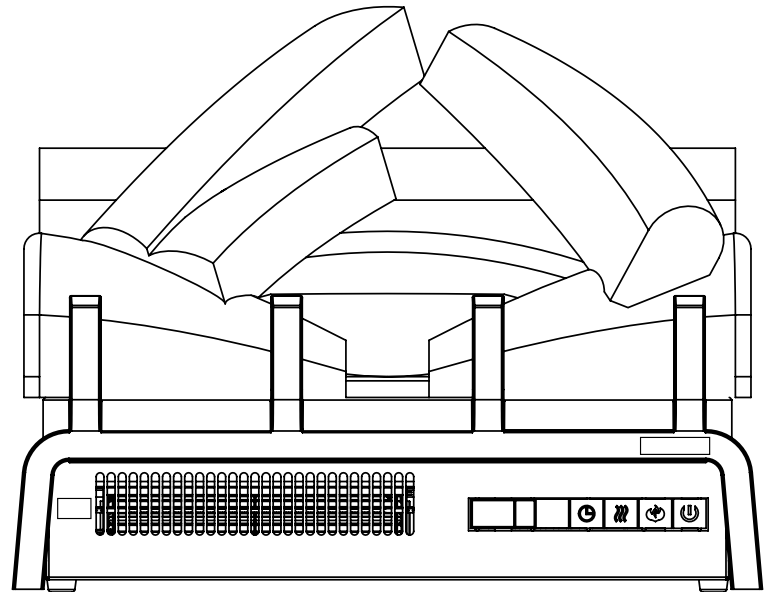
7200, Route Transcanadienne, Montréal, Québec H4T 1A3  
24 Napoleon Road, Barrie, Ontario, Canada L4M 0G8  
214 Bayview Drive, Barrie, Ontario, Canada L4N 4Y8  
103 Miller Drive, Crittenden, Kentucky, USA 41030  
De Riemsdijk 22, 4004 LC Tiel, The Netherlands

Phone: 1-866-820-8686  
[napoleon.com](http://napoleon.com)



# MANUEL D'INSTALLATION ET D'OPÉRATION

Ensemble de bûches Woodland<sup>MD</sup> Électrique



## CONSIGNES DE SÉCURITÉ

### **AVERTISSEMENT**

#### **RISQUE D'INCENDIE OU D'EXPLOSION**

Si ces instructions ne sont pas suivies à la lettre, un incendie pourrait s'ensuivre causant des dommages matériels, des blessures corporelles ou des pertes de vie.

- N'entreposez pas et n'utilisez pas d'essence ou autres liquides et vapeurs inflammables à proximité de cet appareil ou tout autre appareil.

#### **INSTALLATEUR:**

Laissez ce manuel avec l'appareil

#### **PROPRIÉTAIRE:**

Conservez ce manuel pour consultation ultérieure.



**Cet appareil dispose d'une télécommande qui nécessite des piles à bouton qui sont dangereuses pour les jeunes enfants.**

## **POUR L'UTILISATION INTÉRIEUR SEULEMENT**

**CERTIFIÉ SELON LES NORMES NATIONALES CANADIENNES ET AMÉRICAINES:  
CSA 22.2 NO. 46 / UL 1278**



Wolf Steel Ltd., 24 Napoleon Rd., Barrie, ON, L4M 0G8 Canada / 103 Miller Drive, Crittenden, Kentucky, USA, 41030  
Téléphone 1 (866) 826 8686 • www.napoleon.com • hearth@napoleon.com

## AVERTISSEMENT

- **Si équipé avec un chauffage, cet appareil peut être chaud lorsqu'il fonctionne et peut causer de graves brûlures en cas de contact.**
- Ne faites pas fonctionner l'appareil avant d'avoir lu et compris les instructions d'utilisation. L'incapacité de respecter les instructions pourrait causer un incendie ou des blessures corporelles.
- N'installez pas de composants endommagés ou incomplets, ni des composants de substitution.
- Ne brûlez pas de bois ou autres matériaux dans cet appareil.
- Tous les appareils électriques contiennent des composants internes qui deviennent chauds et qui produisent des étincelles. N'utilisez pas cet appareil dans des endroits où de l'essence, des peintures ou d'autres liquides inflammables sont présents.
- Les grillages de sécurités ou écrans enlevés pour faire l'entretien devront être remis en place avant d'utiliser l'appareil.
- Il est primordial de garder propres les compartiments de contrôle, les brûleurs, la soufflerie, les bouches d'air de l'appareil ainsi que le système d'évacuation. L'appareil et son système d'évacuation doivent être inspectés avant la première utilisation et au moins une fois l'an par un spécialiste en entretien. Un entretien plus fréquent pourrait être nécessaire en raison des peluches provenant des tapis, literie, etc. L'emplacement de l'appareil doit être gardé libre de tous matériaux combustibles, essence ou autres liquides et vapeurs inflammables.
- Cet appareil ne devra être modifié en aucun cas.
- N'utilisez pas cet appareil si une partie quelconque a été submergée. Contactez immédiatement un technicien de service qualifié pour inspecter l'appareil et pour remplacer toute pièce du système de contrôle qui aurait été submergée.
- Si équipé avec une porte vitrée, n'opérer pas l'appareil lorsque la porte vitrée est enlevée, fissurée ou brisée. Le remplacement de la vitre devra être effectué par un technicien de service certifié ou qualifié.
- Si équipé avec un porte vitrée, ne frappez pas et ne claquez pas la porte vitrée de l'appareil.
- Les matériaux d'emballage doivent être gardés hors de la portée des enfants et mis au rebut de façon sécuritaire. Comme tous les emballages de plastique, ceux-ci ne sont pas des jouets et doivent demeurer hors de la portée des enfants et des bébés.
- L'entretien ne doit être effectué que lorsque l'appareil est débranché du circuit électrique.
- Débranchez toujours l'appareil lorsqu'il n'est pas utilisé.
- N'utilisez pas l'appareil si le cordon d'alimentation ou la fiche sont endommagés, s'il ne fonctionne pas bien, ou s'il a été échappé ou endommagé d'une quelconque façon. Retournez l'appareil à un centre de service autorisé pour une inspection, des ajustements électriques ou mécaniques ou une réparation.
- N'utilisez pas cet appareil à l'extérieur.
- Lorsque vous installez cet appareil dans une pièce où l'eau est présente, l'installation doit se conformer aux codes reconnaissant le risque accru de décharge électrique et d'électrocution.

**note:**

Cet appareil NE PEUT PAS être installé dans une salle de bain.

- Ne passez pas le cordon d'alimentation sous un tapis. Ne recouvrez pas le cordon avec des carpettes, des tapis de couloir ou autres revêtements similaires. Évitez de placer le cordon dans un endroit passant ou à un endroit où il risque de causer des chutes.
- Branchez seulement dans une prise de courant adéquatement mise à la terre.
- N'insérez pas d'objets dans les ouvertures d'entrée d'air ou de sortie d'air puisque cela risque d'endommager l'appareil ou causer des chocs électriques ou un incendie.
- Il est normal que votre appareil électrique produise du bruit, surtout s'il est installé dans un endroit calme comme un chambre à coucher.

**! AVERTISSEMENT**

- Pour prévenir les risques d'incendie, ne bloquez pas les entrées d'air et les sorties d'air de quelque manière que ce soit. Ne placez pas cet appareil sur une surface molle telle qu'un tapis où les ouvertures pourraient se bloquer.
- Toujours brancher l'appareil directement dans une prise murale. N'utilisez pas de cordons d'alimentation ou une robinet d'alimentation relogeables (alimentation/multiprise).
- Cet appareil a été testé et homologué pour usage avec les accessoires optionnels listés dans ce manuel uniquement. L'utilisation d'accessoires optionnels qui n'ont pas été spécifiquement testés pour cet appareil électrique annulera la garantie de l'appareil et/ou présentera des risques pour la sécurité.

**Pour les appareil équipé avec chauffage:**

- Risque de brûlures. L'appareil doit être éteint et refroidi avant d'effectuer l'entretien. Pour débrancher l'appareil, mettez d'abord les boutons de contrôle à « OFF » puis retirez la fiche de la prise de courant.
- Les jeunes enfants doivent être supervisés attentivement lorsqu'ils sont dans la même pièce que l'appareil recommandés s'il y a dans la maison des individus à risque. Les jeunes enfants et autres personnes sont sujets aux brûlures accidentelles. Une barrière de protection est recommandée s'il y a dans la maison des individus à risque. Afin de restreindre l'accès à l'appareil, installez une barrière de protection ajustable pour garder les jeunes enfants ou autres personnes à risque hors de la pièce et loin des surfaces chaudes.
- Les vêtements et autres matériaux combustibles ne doivent pas être posés sur l'appareil ou à proximité.
- En raison des températures élevées, l'appareil devrait être placé loin des endroits passants et loin des meubles et des rideaux.
- Assurez-vous de disposer de mesures de sécurité adéquates pour empêcher les jeunes enfants de toucher aux surfaces chaudes.
- Même lorsque l'appareil est éteint, la porte et l'écran demeureront chauds pendant un bon moment.
- Consultez votre détaillant local de foyer pour connaître les grillages de sécurité et les écrans offerts pour protéger les enfants des surfaces chaudes. Ces grillages de sécurité et ces écrans doivent être fixés au plancher.
- Assurez-vous de respecter les dégagements aux matériaux combustibles lorsque vous installez un manteau ou des tablettes au-dessus de l'appareil. Les téléviseurs et autres composants électroniques sournis à des températures élevées peuvent fondre, se déformer, se décolorer et entraîner des défaillances prématurées de ces appareils.

**! AVERTISSEMENT:** Ce produit peut vous exposer à des substances chimiques incluant le plomb et les composés de plomb qui, selon l'État de Californie, causeraient le cancer, et des substances chimiques incluant le BBP et DEHP qui, selon d'État de Californie, causeraient des malformations congénitales ou autres dangers pour la reproduction. Pour de plus amples renseignements, visitez le [www.P65Warnings.ca.gov](http://www.P65Warnings.ca.gov).

# table des matières

FR

<b>1.0</b>	<b>information générales</b>	<b>25</b>
1.1	dimensions	25
1.2	homologations	25
1.3	instructions générales	25
1.4	plaque d'homologation	26
1.5	emplacement l'étiquette	26
1.6	localisation de l'ensemble de bûches	27
1.7	mise à la terre de l'appareil	27
<b>2.0</b>	<b>installation</b>	<b>28</b>
2.1	installation de l'appareil	28
2.1.1	installation de l'appareil dans le foyer existant	28
2.1.2	installation de l'appareil	29
2.2	branchement par câble	30
<b>3.0</b>	<b>instructions de fonctionnement</b>	<b>31</b>
3.1	interrupteur et panneau de commande	31
3.2	utilisation de la télécommande	32
3.3	installation de la pile de la télécommande	32
<b>4.0</b>	<b>finitions</b>	<b>33</b>
4.1	emplacement des bûches NEFI18H	33
4.2	tas / braises de charbon	34
<b>5.0</b>	<b>schéma de câblage</b>	<b>35</b>
<b>6.0</b>	<b>pièces de rechange</b>	<b>36</b>
6.1	vue d'ensemble NEFI18H	36
<b>7.0</b>	<b>guide de dépannage</b>	<b>38</b>
<b>8.0</b>	<b>garantie</b>	<b>40</b>
<b>9.0</b>	<b>historique d'entretien</b>	<b>41</b>

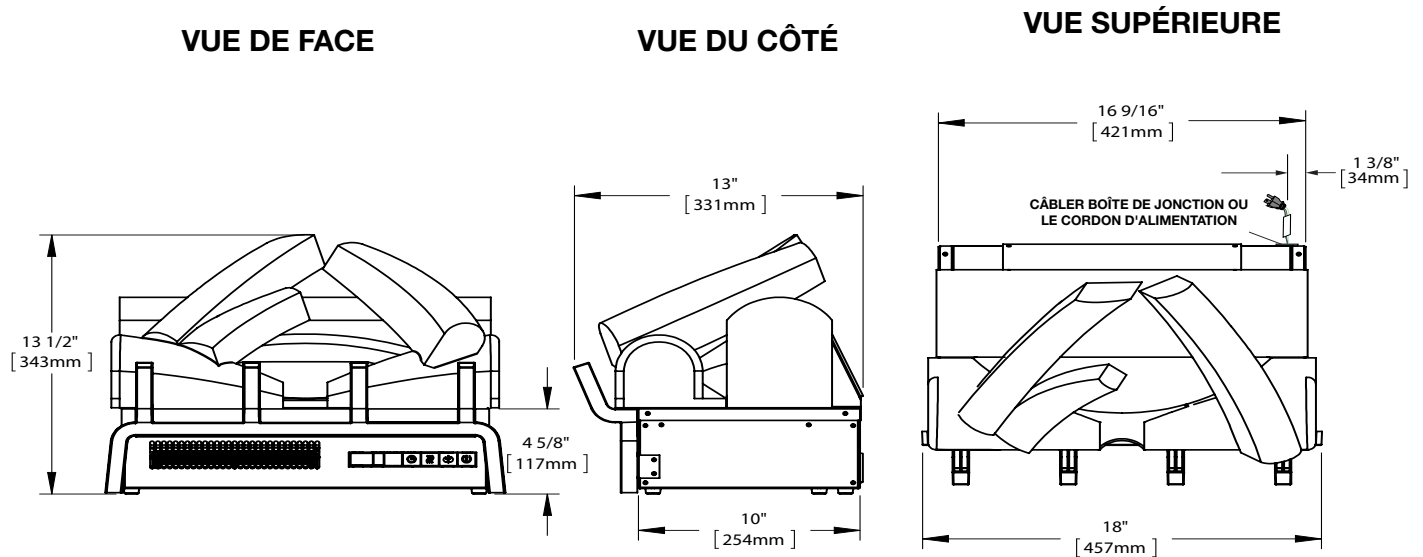
**NOTE:** Les changements autres que de nature éditoriale sont dénotés par une ligne verticale dans la marge.



Les piles doivent être mises au rebut conformément aux lois et à la réglementation locales. Certaines piles peuvent être recyclées dans votre centre de recyclage local. Renseignez-vous auprès de votre municipalité au sujet des directives de recyclage.



## 1.1 dimensions



## 1.2 homologations

Cet appareil a été testé selon les normes CSA pour foyers électriques installés de façon permanente aux États-Unis et au Canada. Si vous avez besoin d'assistance durant l'installation, veuillez contacter votre détaillant local.

**NOTE:** Cet appareil doit être raccordé électriquement et mis à la terre selon les codes locaux ou, en l'absence de tels codes, avec le National Electrical Code ANSI/NFPA 70-la dernière édition aux États-Unis ou le Code canadien de l'électricité CSA C22.1 au Canada.

<b>Modèle</b>	NEFI18H
<b>Description</b>	18" Foyers électriques
<b>Tension</b>	120V CA
<b>Puissance</b>	1500W
<b>Ampères</b>	15 A circuit mis à la terre
<b>Largeur</b>	18" (457mm)
<b>Hauteur</b>	13,5" (343mm)
<b>Profondeur</b>	13" (330mm)
<b>Poids Net</b>	22,5lb (10,2kg)
<b>Poids brut</b>	27,6lb (12,5kg)

## 1.3 instructions générales

- Avant de brancher votre appareil dans une prise de courant, vérifiez si le disjoncteur de la maison pour ce circuit est allumé.
- Il est possible que l'appareil dégage une légère odeur inoffensive lors de la première utilisation. Cela est une condition normale causée par le chauffage initial des éléments de l'appareil. Elle ne se reproduira plus.
- Si votre appareil n'émet pas de chaleur lorsqu'il est sollicité, consultez la section « fonctionnement » de ce manuel pour de plus amples renseignements.
- Utilisez avec un limiteur de surtension certifié CSA ou UL.
- Ne faites pas passer le cordon d'alimentation directement sous l'appareil.

Cet appareil électrique répond aux normes de construction et de sécurité du H.U.D. pour des applications dans des maisons préfabriquées lorsque installé selon ces instructions.

**Comme avec la plupart des appareils électroniques, votre nouveau foyer électrique a été conçu pour fonctionner à des températures comprises entre 5 ° C (41 ° F) et 35 ° C (95 ° F). Pendant les mois froids de l'hiver, la cheminée permet d'atteindre la température ambiante avant de l'allumer.**

# information générales

FR

## 1.4 plaque d'homologation

CERTIFIED UNDER CANADIAN AND AMERICAN NATIONAL STANDARD: CSA 22.2 NO. 46 AND UL 1278 /  
HOMOLOGUÉ SELON LES NORMES NATIONALES CANADIENNES ET AMÉRICAINES: CSA 22.2 NO. 46 UL 1278

ELECTRIC FIREPLACE. SUITABLE FOR  
BEDROOM AND BED-SITTING ROOM  
INSTALLATION. SUITABLE FOR MOBILE  
HOME INSTALLATION.

FOYER À ÉLECTRIQUE. HOMOLOGUÉ POUR  
INSTALLATION DANS UNE CHAMBRE À  
COUCHER, UNE SALLE DE BAIN ET UN STUDIO.  
APPROPRIÉ POUR INSTALLATION DANS UNE  
MAISON MOBILE.

**CSA**  
C US

MASTER CONTRACT: 161746      CONTRAT-CADRE: 161746

MODEL / MODÈLE:  NEF18H

VOLTAGE: 120 VAC      TENSION: 120VCA

FREQUENCY: 60Hz      FRÉQUENCE: 60Hz

POWER: 1500W      PUISSANCE: 1500W

DATE CODE:      CODE DE DATE:

DESIGNED IN NORTH AMERICA      DÉSIGNÉ AMÉRIQUE DU  
BY WOLF STEEL LTD.      NORD PAR WOLF STEEL LTD.

MADE IN CHINA      FABRIQUÉ EN CHINE

**WOLF STEEL LTD.**  
24 NAPOLEON ROAD,  
BARRIE, ON, L4M 0G8 CANADA

SERIAL NUMBER/NO. DE SÉRIE: **NEF18**      W385-2143 / B

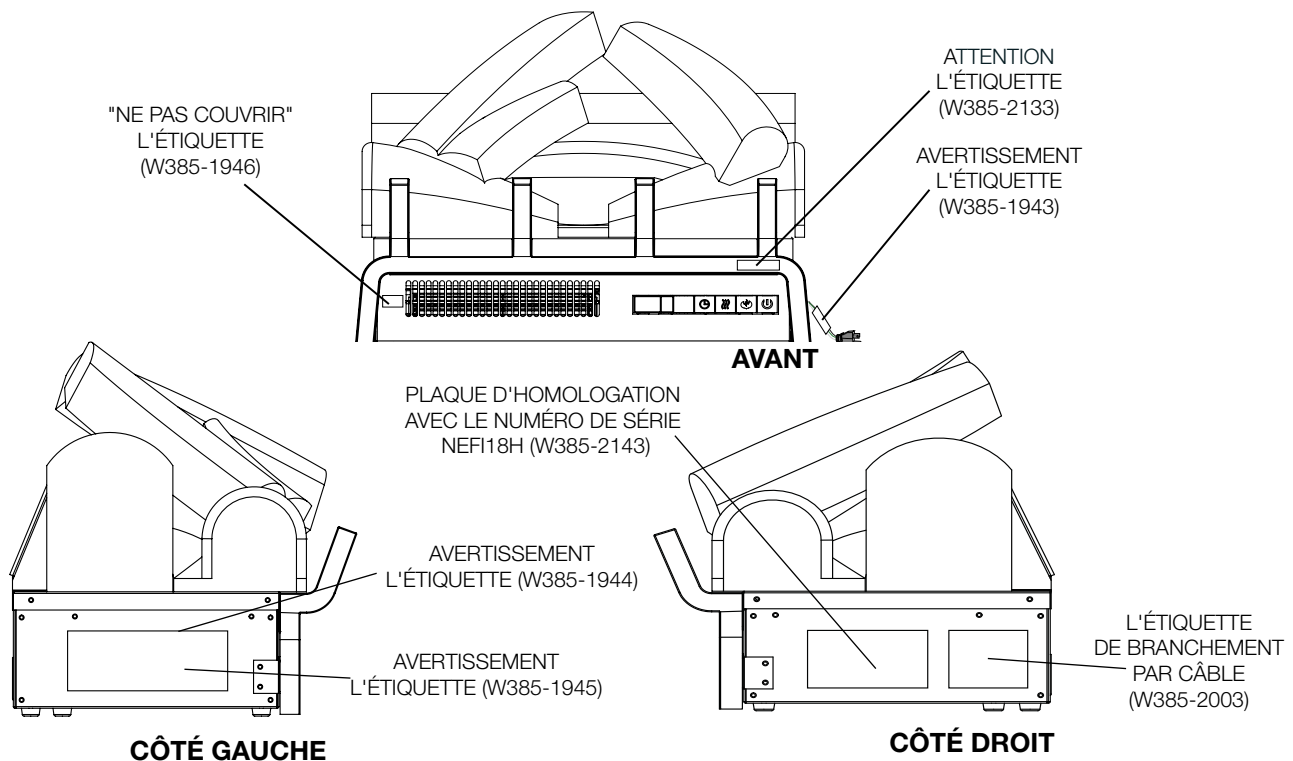
**INSTALLATEUR:** Vous êtes responsable de cocher les cases appropriées sur la plaque d'homologation selon le modèle, l'évacuation et le type de gaz de l'appareil.

Cette illustration est à titre de référence seulement. Consultez la plaque d'homologation pour obtenir l'information précise.

**NOTE:** Le plaque d'homologation doit rester avec l'appareil à tout le temps. Il ne doit pas être enlevé.

**NOTE:** Ne utiliser pas l'appareil pendant le transport de la maison mobile.

## 1.5 emplacement l'étiquette



1.6 localisation de l'ensemble de bûches

**AVERTISSEMENT**

- En raison des températures élevées, l'appareil devrait être placé loin des endroits passants. Gardez tous les articles combustibles tels que les meubles, les oreillers, la literie, le papier, les vêtements et les rideaux à une distance d'au moins 36 pouces (91,4cm) de la façade de l'appareil.
- Ne placez jamais l'appareil électrique à un endroit où il risque de tomber dans une baignoire ou tout autre réservoir contenant de l'eau.
- Portez des gants de protection et des lunettes de sécurité lors de l'installation et de l'entretien.
- Afin d'éviter tout contact avec de l'isolant qui s'affaisse, l'appareil électrique ne doit pas être installé contre un coupe-vapeur ou de l'isolant à découvert une surchauffe localisée peut survenir et un incendie pourrait s'ensuivre.
- L'appareil électrique ne doit pas être exposé aux conditions extérieures (par ex. la pluie).

Retirez soigneusement l'appareil de la boîte et enlevez les supports avant d'installer l'appareil. Retirez tous les emballages et matériels et assurez-vous qu'il fonctionne bien en branchant le cordon d'alimentation dans une prise de courant mise à la terre de 120 V.

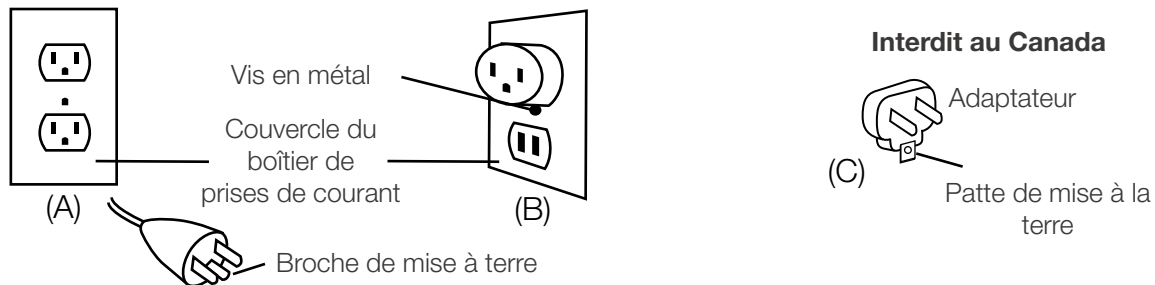
1.7 mise à la terre de l'appareil

Cet appareil doit être branché sur un circuit de 120 volts. Son cordon d'alimentation est équipé d'une fiche comme illustré en (A) ci-contre. Un adaptateur, tel qu'illustré en (C), est disponible pour brancher des fiches à trois branches avec mise à la terre dans des prises à deux fentes, tel qu'illustré en (B).

La patte verte de mise à la terre de l'adaptateur doit être branchée dans une prise de courant mise à la terre de façon permanente telle qu'un boîtier de prises de courant mis à la terre. L'adaptateur ne doit pas être utilisé si une prise de courant mise à la terre à trois fentes est disponible.

Pour débrancher l'appareil, mettez les boutons de contrôle à « OFF » puis retirez la fiche de la prise du courant.

Méthodes de mise à la terre



**NOTE:** Doit être connecté à un circuit de 15 ampères. L'utilisation sur un cordon d'extension ne est pas autorisée.

## 2.0 installation

FR

### **! AVERTISSEMENT**

- Risque d'incendie! Le cordon d'alimentation ne doit pas être coincé contre une arrête vive. Fixez le cordon pour éviter les chutes ou les accrochages afin de réduire le risque d'incendie, de choc électrique ou de blessures corporelles. Ne passez pas le cordon d'alimentation sous un tapis. Ne recouvrez pas le cordon avec des carpettes, des tapis de couloir ou autres revêtements similaires. Évitez de placer le cordon dans un endroit passant ou à un endroit où il risque de causer des chutes.
- Risque d'incendie! Pour prévenir les risques d'incendie, ne bloquez pas les entrées d'air et les sorties d'air de quelque manière que ce soit. Ne placez pas cet appareil sur une surface molle où les ouvertures pourraient se bloquer.
- Risque d'incendie! Ne soufflez pas ou ne placez pas d'isolant contre l'appareil.
- Cet appareil électrique a été testé et homologué pour usage avec les accessoires optionnels listés dans ce manuel uniquement. L'utilisation d'accessoires optionnels qui n'ont pas été spécifiquement testés pour cet appareil électrique annulera la garantie de l'appareil et/ou présentera des risques pour la sécurité.
- Si ces instructions ne sont pas suivies à la lettre, un incendie ou une explosion pourraient s'ensuivre, causant des dommages matériels, des blessures corporelles ou des pertes de vie. N'entrez pas et n'utilisez pas d'essence ou autres vapeurs inflammables à proximité de cet appareil ou tout autre appareil.
- Étant donné la lourdeur de cet appareil, il est recommandé que deux personnes en fassent l'installation.
- Si votre appareil est équipé avec chauffage, assurez-vous que les ouvertures de la chauffage ne peut pas, dans aucune façon, être recouverts car il peut provoquer un incendie.
- N'exécutez pas le cordon d'alimentation horizontalement, directement en dessous de l'appareil.

**NOTE: Suivre tous les codes électrique national et locaux.**

### 2.1 installation de l'appareil

L'appareil peut être installé à n'importe quel emplacement. Pour des fins esthétiques, nous vous conseillons d'installer l'appareil dans un foyer existant ou dans un cabinet de bois.

Choisir un emplacement convenable qui n'est pas susceptible à l'humidité et est loin des tentures, les meubles et les hauts secteurs de circulation.

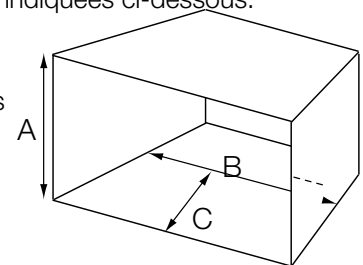
#### 2.1.1 installation de l'appareil dans le foyer existant

A. L'appareil doit être installé dans une enceinte dont les dimensions minimales sont indiquées ci-dessous:

##### **DIMENSIONS MINIMALES DE L'APPAREIL**

	HAUTEUR	LARGEUR	PROFONDEUR
SÉRIE DE BÛCHE	A	B	C
NEFI18H	14" (356mm)	18" (472mm)	14" (356mm)

N'installez pas l'ensemble de bûches à gaz dans un foyer plus petit que ce qui est indiqué dans le tableau.



B. Placez l'ensemble de bûches dans une position qui offre la performance optimale de la flamme. Pour obtenir l'effet de flammes, l'ensemble de bûches devraient être 2" de la mur arrière.

**NOTE: Scellez le conduit de cheminée avec des matériaux incombustibles afin d'empêcher tout débris provenant de la cheminée de tomber sur l'appareil. Installez un chapeau sur le dessus de la cheminée afin d'empêcher la pluie de s'infiltrer.**

Branchez l'appareil dans une prise de 15 A, 120 V. S'il est nécessaire d'effectuer un branchement par câble, consultez la section « BRANCHEMENT PAR CÂBLE ».

**AVERTISSEMENT : En raison des températures élevées, n'utilisez pas les portes du foyer existant pour enfermer l'appareil. Si l'appareil est installé dans un foyer muni de portes, assurez-vous que la chaleur puisse s'évacuer. Si vous utilisez les pare-étincelles existants, ceux-ci doivent permettre une circulation d'air adéquate en avant de l'appareil.**

## 2.1.2 installation de l'appareil

**NOTE:** Pour éviter d'endommager la base de la tablette, soulevez délicatement l'appareil dans la tablette tout en évitant le contact avec le bord avant de la base du tablette.

- A. Soulevez l'appareil et insérez dans l'ouverture. Ne faites pas glisser l'appareil, plancher ou d'autres surfaces peintes peuvent rayer. (Voir Figure 1)
- B. Placez l'appareil vers le bas sur la plancher en place. (Voir Figure 2)

**NOTE :** Pour obtenir l'effet de flammes, l'ensemble de bûches devraient être 2" de la mur arrière

Fig. 1

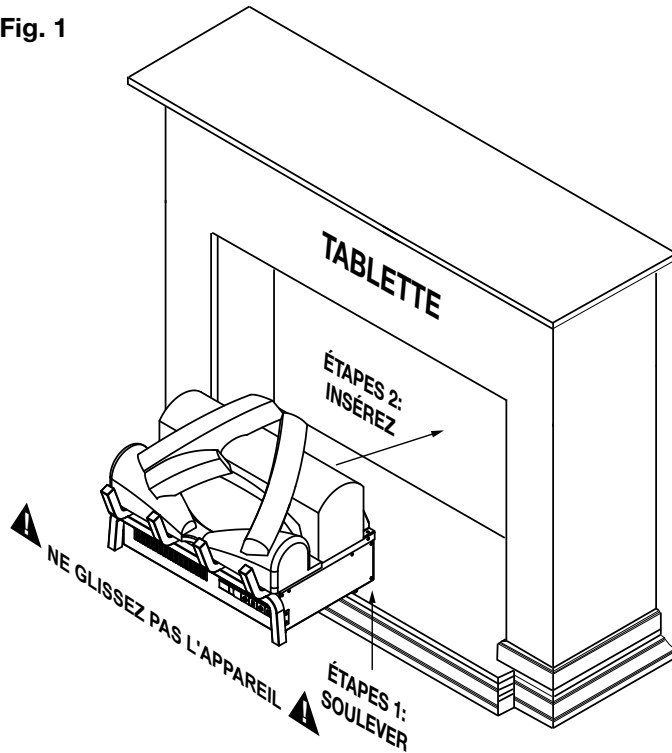
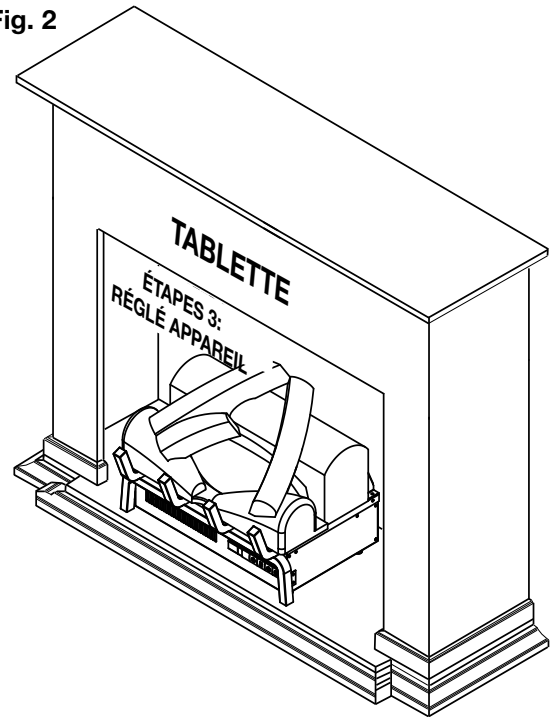


Fig. 2



# installation

FR

## 2.2 branchement par câble

### **! AVERTISSEMENT**

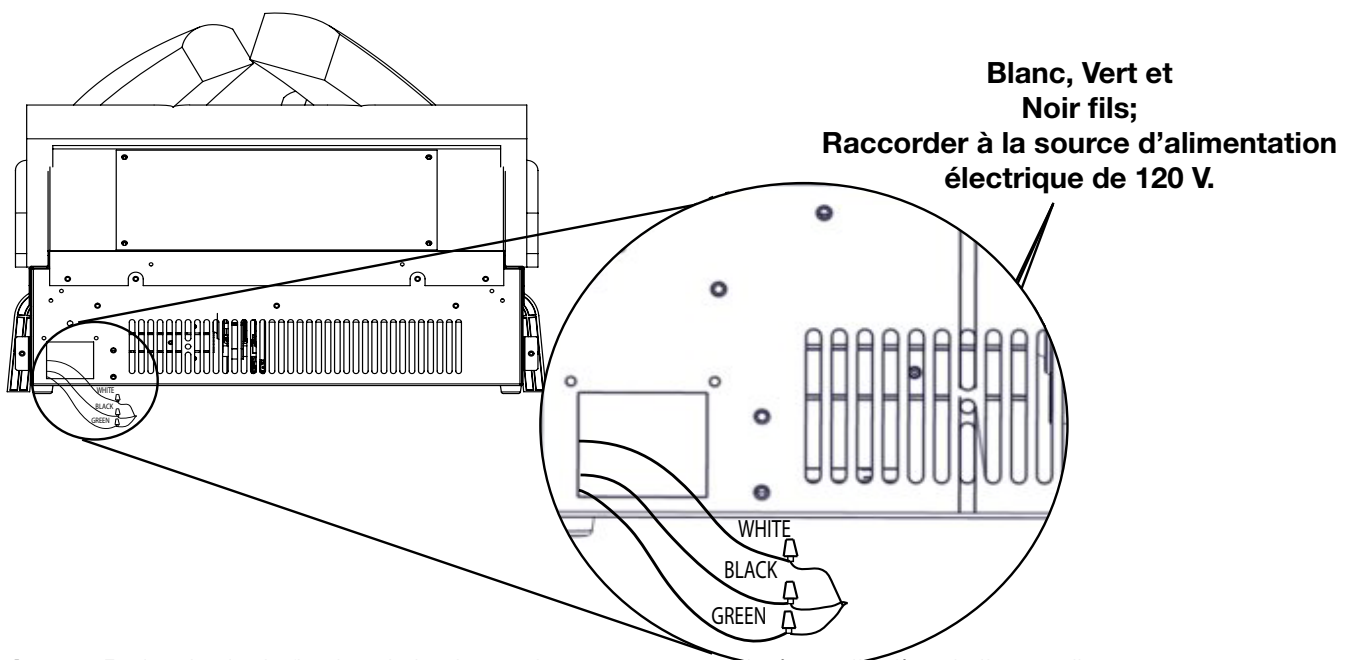
- Coupez l'alimentation électrique à l'appareil et laissez-le refroidir avant d'effectuer un entretien. Seul un technicien de service qualifié peut effectuer l'entretien ou la réparation de cet appareil électrique.

#### **BRANCHEMENT PAR CÂBLE:**

Si c'est nécessaire de faire un branchement par câble, un électricien qualifié peut retirer le cordon d'alimentation de l'appareil et brancher ce dernier directement au câblage de la maison. L'alimentation de disjoncteurs et fils doit être classé pour 120V min. 15 amps.

Si vous effectuez un branchement par câble, cet appareil doit être raccordé électriquement et mis à la terre conformément aux codes locaux. En l'absence de tels codes, utilisez la version courante du Code canadien de l'électricité CSA C22.1 au Canada ou du National Electrical Code ANSI/NFPA 70 aux États-Unis.

**NOTE: Il y a trois fils pour la connexion du foyer: le blanc (neutre), le noir (alimentation L1) et le vert (mise à la terre) qui se connectent à l'alimentation 120 V (panneau de disjoncteurs).**



- Retirez la vis de fixation de la plaque de recouvrement, située sur l'arrière du l'appareil.
- Faites passer les fils d'alimentation à travers le trou perforé de 22 mm (7/8").
- Séparez l'un de l'autre les fils noir, blanc et vert munis de capuchons de connexion.
- Retirez les capuchons de connexion et raccordez le fil noir (alimentation L1) au fil noir (alimentation L1) du circuit d'alimentation. Raccordez le fil blanc de l'appareil au fil blanc (neutre) du circuit d'alimentation. Raccordez le fil vert au fil de mise à la terre.
- Remplacez la plaque de recouvrement et fixez-la.



**NOTE: Pour vous aider avec le déplacement de l'appareil, laissez une longueur de fils suffisante pour que l'appareil puisse être retiré de l'enceinte sans le débrancher du circuit d'alimentation. Si la maintenance, fermer son alimentation électrique.**

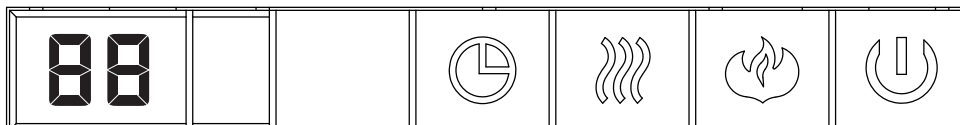
## 3.0 instructions de fonctionnement











L'appareil est prêt à fonctionner dès qu'il est correctement branché dans une prise de courant mise à la terre (120V).

**ATTENTION :** Assurez-vous que les disjoncteurs de la maison pour ce circuit soient allumés. Lorsque vous branchez d'abord l'appareil à une source d'alimentation de l'unité effectuera une DEL vérifier. L'appareil se met à clignoter sur et en dehors pendant 5 secondes.

### 3.1 interrupteur et panneau de commande

Le panneau de contrôlé est situé dans la partie avant de l'appareil, comme illustrée.



<b>L'Interrupteur</b>		Tournez l'appareil MARCHÉ / ARRÊT.
<b>Contrôle de Lumière, Flamme et les Lit de Braises</b>		Contrôle la luminosité de flamme et lit de braises. 5 Réglages: Flamme et lit de braises arrêt (FO), lit de braises marche / flamme arrêt (LL), flamme et lit de braises petite (F1), flamme et lit de braises moyen (F2), brillants flamme et lit de braises (F3). Réglage par défaut (F3).
<b>Contrôle chaufferette</b>		Tournez la chaufferette et soufflerie MARCHÉ / ARRÊT. 4 Réglages: Arrêt chaufferette et soufflerie (HO), Marche soufflerie (BL), à feu doux (H1), forte chaleur (H2). Réglage par défaut (HO).
<b>Minuterie</b>		La minuterie peut être programmée pour contrôler l'appareil pour une durée spécifique (30mins. minimum à 6 h maximum). Réglage par défaut Timer de-select.
<b>Commutateur (F° / C°)</b>	 Maintenir 5 secondes	Pour changer le format de la température, Fahrenheit ou Celsius. Appuyez et maintenez enfoncé  pendant 5 secondes. Réglage par défaut Fahrenheit.
<b>Chaufferette Verrouiller</b>	 Maintenir 5 secondes	Le bouton de la chaufferette peut être verrouillé ou déverrouillé en le maintenant enfoncé  pendant 5 secondes. Réglage par défaut heater unlock.
<b>Contrôle de Température</b>	 Maintenir 5 secondes	Appuyez et maintenez le bouton  de la minuterie. Cette va changer le bouton pour contrôle de la température, ou vice versa. Il y a 7 réglages (61°F, 64°F, 70°F, 75°F, 81°F, 85°F et arrêt). Réglage par défaut de-select Temperature Control.

# instructions de fonctionnement

FR

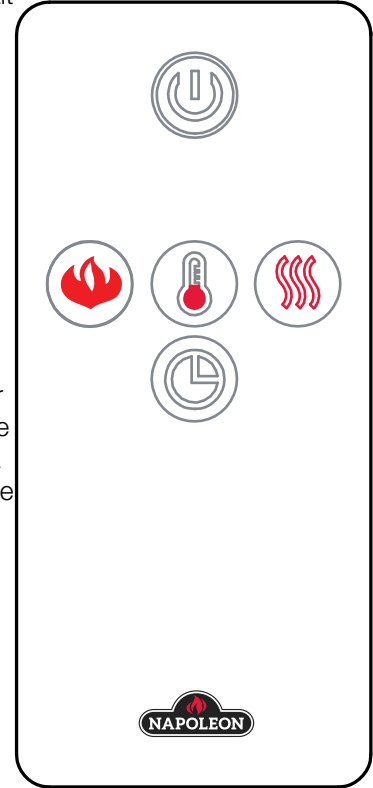
## 3.2 utilisation de la télécommande

### AVERTISSEMENT

- Afin d'éviter les risques de suffocation, gardez le sac d'emballage loin des bébés et des jeunes enfants. Ne le laissez pas traîner dans les berceaux, les lits, les poussettes.

**NOTE:** Lors de l'utilisation de la télécommande, vous devez la pointer vers le centre sur le devant de l'appareil.

- A.** Le bouton d'alimentation peut servir à allumer ou éteindre l'appareil. Le fait d'appuyer sur ce bouton met l'appareil sous tension. Le fait d'appuyer sur ce bouton encore, s'éteint le l'appareil. La braise et le bûches va s'estomper au bout de 4 secondes.
- B.** Pour régler la hauteur de flamme, la luminosité et lit de braises, appuyez sur le bouton de flammes . Il ya un de braise et de la lumière trois niveaux de luminosité sont offerts ainsi qu'un réglage d'arrêt (LL, F1, F2, F3 et F0). F3 est à l'intensité la plus élevée et LL est à seulement lit de braises.
- C.** Pour utiliser la fonction thermostat, appuyez sur le bouton de thermostat , Il y a 7 réglages (61°F, 64°F, 70°F, 75°F, 81°F, 85°F et off). Par défaut, la température s'affiche en Fahrenheit. Enfoncez la fonction thermostat pour faire défiler les différents réglages. Pour accéder au format de température désiré, maintenez enfoncé le bouton de thermostat. L'affichage basculera de Celsius à Fahrenheit, ou inversement. Lorsque la température ambiante est deux degré inférieur à la température réglée, la chaufferette se met en marche.
- D.** Pour actionner la chaufferette et soufflerie, appuyez sur le bouton chaufferette . Enfoncez le bouton chaufferette encore pour régler la température de la chaleur basse ou haute souhaitée; enfoncez le bouton chaufferette encore pour éteindre la chaufferette.
- E.** La minuterie contrôle tous les modes de fonctionnement de l'ensemble de bûches. Pour activer la minuterie, appuyez sur le bouton de minuterie . L'icône s'allumera et l'heure s'affichera sur l'écran à DEL. Pour choisir l'heure désirée, appuyez sur le bouton de minuterie. Il y a six réglages (30 minutes, 1h, 2h, 3h, 4h, 5h, 6h et off) qui s'afficheront sur l'écran à DEL, chacun représentant la durée de fonctionnement. Le foyer s'éteint à l'heure réglée.
- F.** Pour éteindre l'appareil, appuyez une fois sur le bouton d'alimentation sur le télécommande, ou placez l'interrupteur principal en position d'arrêt sur le panneau de contrôle de l'appareil.



**NOTE:** Pour que la télécommande fonctionne bien, elle doit toujours être à moins de 8 mètres ou 26 pieds de l'appareil.

### 3.3 installation de la pile de la télécommande

1. Pour remplacer la pile existante retirez le support de la batterie.
2. Tournez à télécommande avec le côté arrière vers le haut. Glissez le couvercle des piles de la télécommande.
3. Insérez une pile de type CR 2025 dans le support puis réinsérez ce dernier dans la télécommande, comme illustré.
4. Le couvercle de la pile est bien fixé lorsque vous entendez un « clic ».

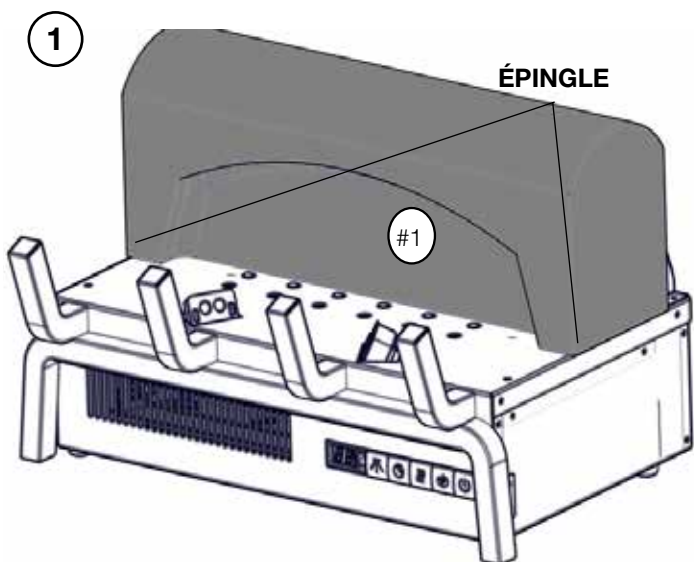




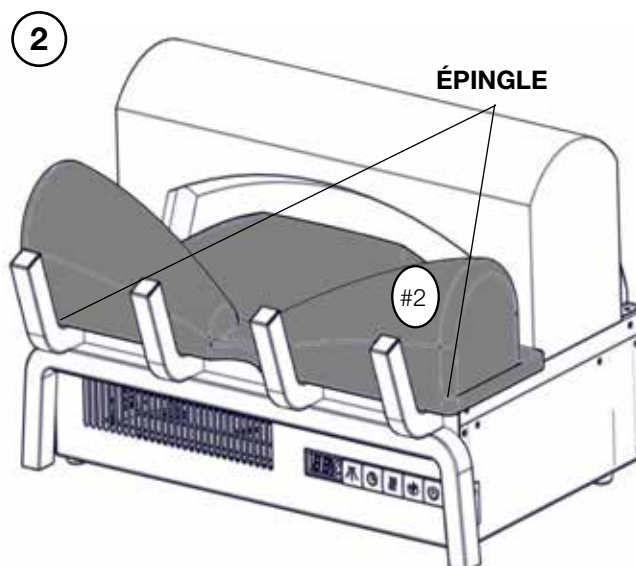
## ⚠ AVERTISSEMENT

- Le raccordement par câble doit être complété avant la finition afin d'éviter toute reconstruction.
- Les entrées d'air et les sorties d'air de l'appareil ne doivent jamais être couvertes.

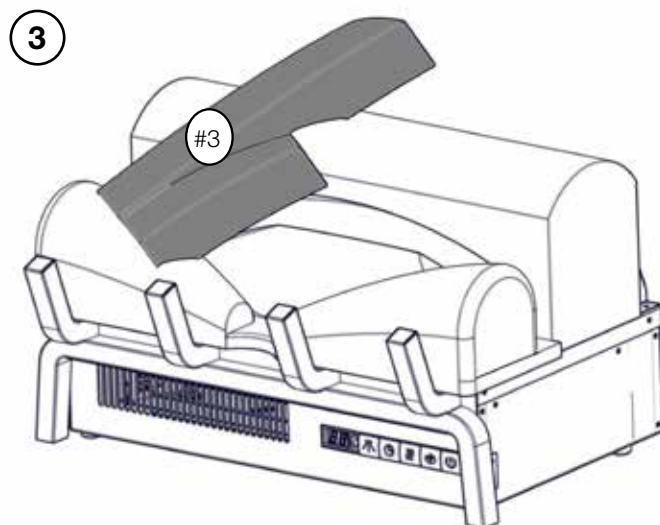
### 4.1 emplacement des bûches NEFI18H



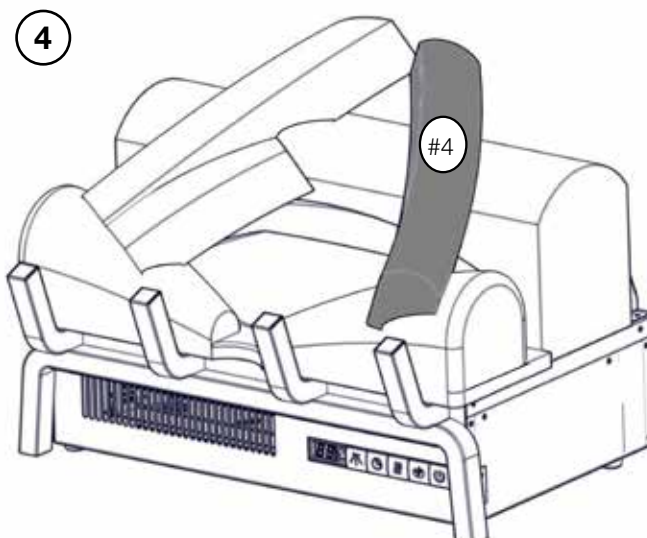
Placer la bûche (#1) sur les goujons, garantir que la bûche est fixer, comme illustrée.



Placer la bûche (#2) sur les goujons, garantir que la bûche est fixer, comme illustrée.



Placer la bûche (#3) dans la rainure, garantir que la bûche est fixer, comme illustrée.



Placer la bûche (#4) dans la rainure, garantir que la bûche est fixer, comme illustrée.

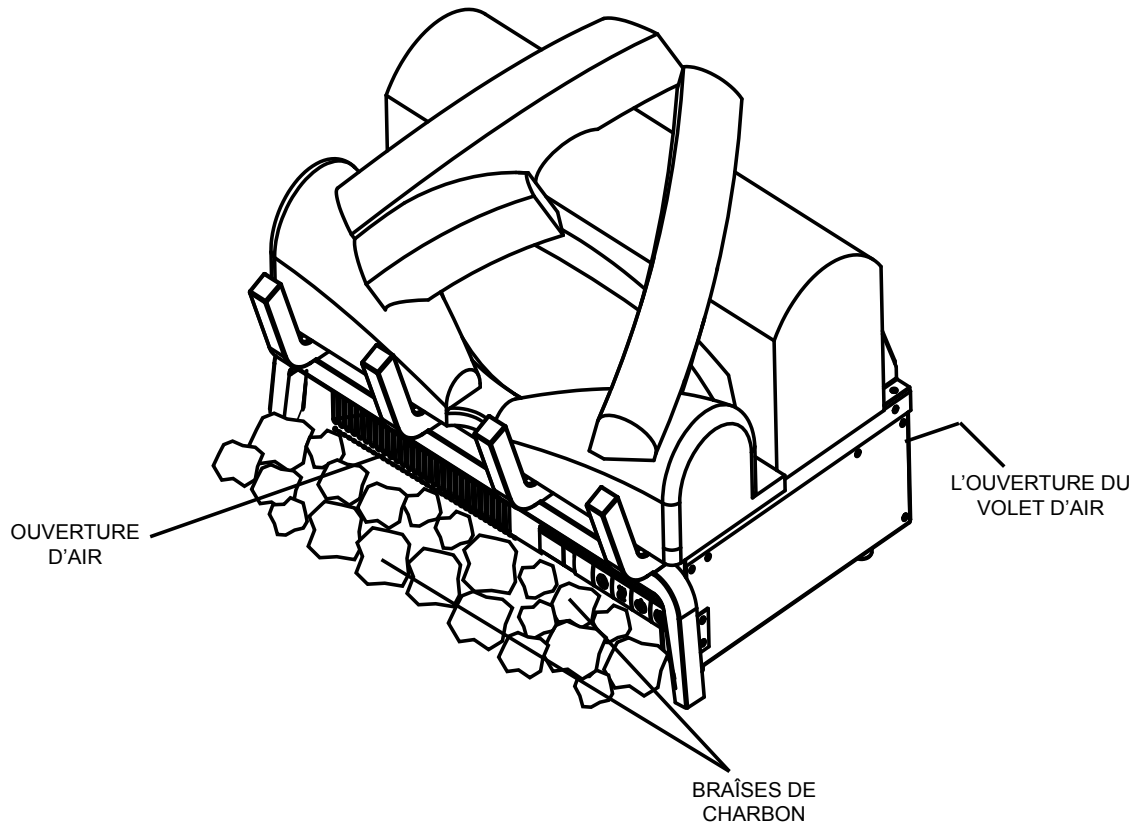
### **! AVERTISSEMENT**

- Afin d'éviter les risques de suffocation, gardez le sac d'emballage loin des bébés et des jeunes enfants. Ne le laissez pas traîner dans les berceaux, les lits, les poussettes ou les parcs de jeu. Ce sac n'est pas un jouet. Nouez-le avant de le jeter.

**A.** Placer les tas de charbon sur les braises du carbon au devant des composants décoratif.

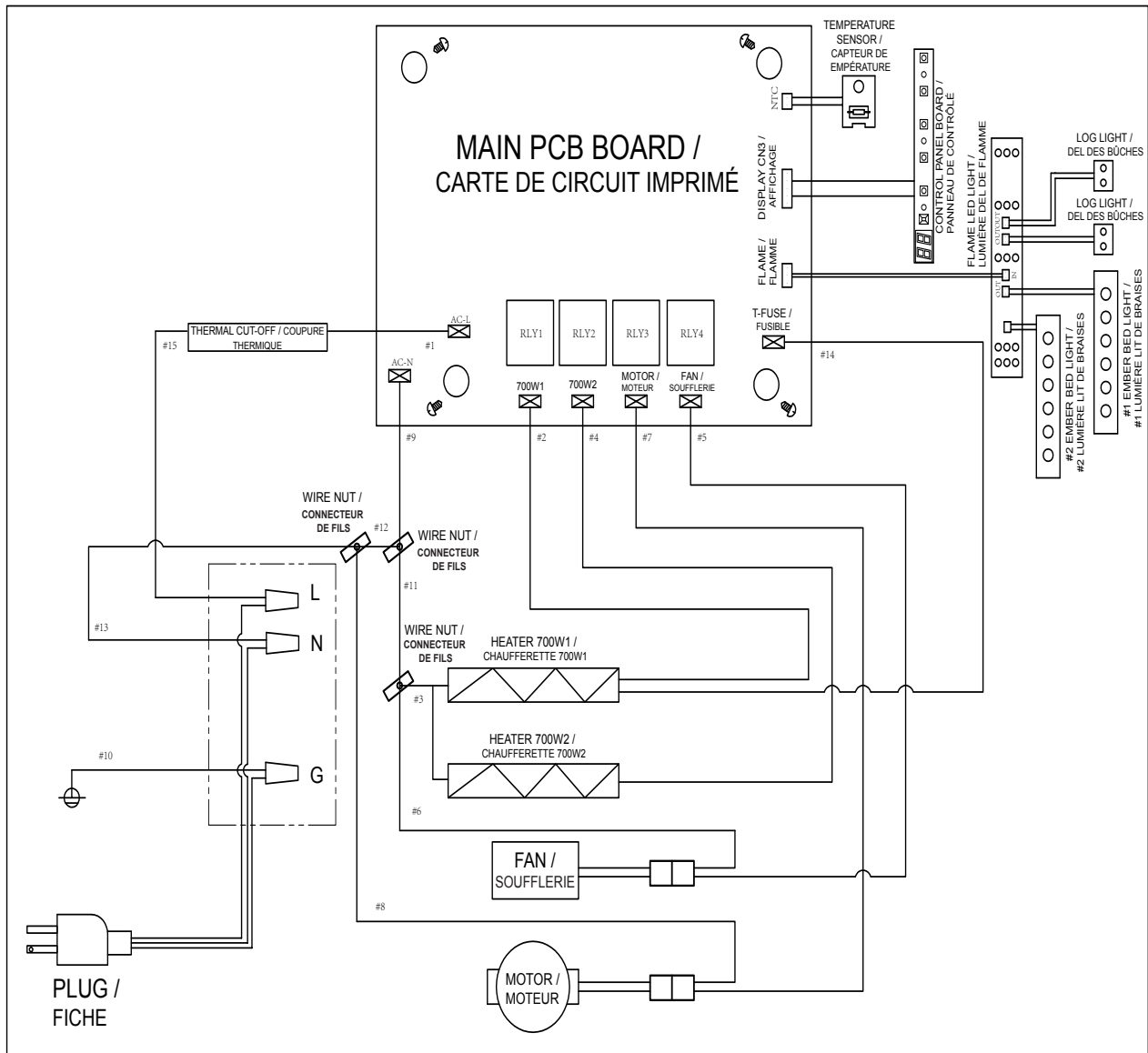
**Poussière fine dans le bas du sac ne doit pas être utilisé.**

**NOTE: NE PAS COUVRIR L'OUVERTURE DE VOLET D'AIR AVEC LES TAS OU BRAÏSES DE CHARBON.**



## ! AVERTISSEMENT

- Coupez l'alimentation électrique à l'appareil et laissez-le refroidir avant d'effectuer un entretien. Seul un technicien de service qualifié peut effectuer l'entretien ou la réparation de cet appareil électrique.



## 6.0 pièces de rechange

FR

### AVERTISSEMENT

- Omettre de positionner les pièces conformément à ce manuel ou d'utiliser uniquement des pièces spécifiquement approuvées pour cet appareil peut causer des dommages matériels ou des blessures corporelles.

Contactez votre détaillant pour les questions concernant les prix et la disponibilité des pièces de remplacement. Normalement, toutes les pièces peuvent être commandées chez votre détaillant autorisé.

**Pour un remplacement de pièce sous garantie, une photocopie de la facture originale sera requise afin de pouvoir honorer la demande.**

Lorsque vous commandez des pièces, donnez toujours l'information suivante:

- Modèle et numéro de série de l'appareil
- Date d'installation de l'appareil
- Numéro de la pièce
- Description de la pièce
- Fini

**Pièces, numéro des pièces et s'il soit disponible peut changer sans préavis.**

**Parties identifiées comme garnie seront livrés dans 2 à 5 jours pour la plupart des destinations de livraison.**

**Pièces non identifiées que stockés seront livrés dans un délai de 2 à 4 semaines pour la plupart des cas.**

**Pièces identifiées comme « SO » sont commande spéciale et peuvent prendre jusqu'à 90 jours pour la livraison.**

Pour le service après-vente, veuillez composer le 1-866-820-8686

### 6.1 vue d'ensemble NEFI18H

CES ARTICLES PEUT DIFFÉRER DE CELLE ILLUSTRÉ

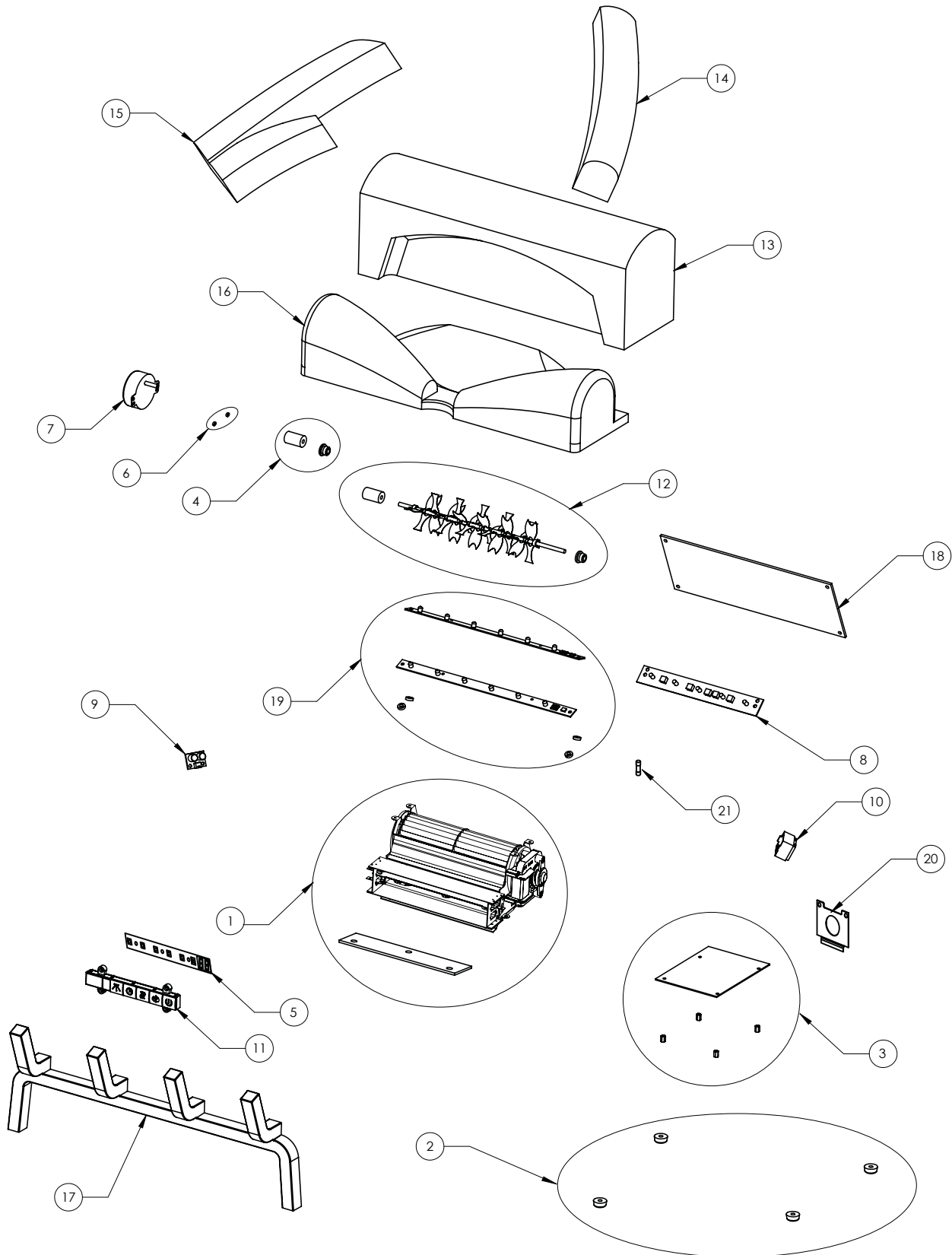
RÉF. NO.	NO. DE PIÈCE	DESCRIPTION	EN STOCK
1	G010-0079-SER	ASSEMBLAGE DE CHAUFFERETTE ET SOUFFLERIE	OUI
2	G510-0002-SER	PARE-CHOC EN PLASTIQUE (4 PIÈCES)	OUI
3	W190-0005-SER	CARTE DE CIRCUIT IMPRIMÉ (avec 4 ESPACEURS)	OUI
4	W105-0020-SER	BAGUES DE LA RÔTISSERIE	OUI
5	G190-0006-SER	PANNEAU DE CONTRÔLE, PCB	OUI
6	W290-0240-SER	MOTEUR DE CAOUTCHOUC	OUI
7	W435-0079-SER	MOTEUR SYNCHRONE	OUI
8	W405-0040-SER	DEL DE FLAMME	OUI
9	G405-0012-SER	DEL DE BÛCHE	OUI
10	W350-0777-SER	BÔTIER DE DEL DE BÛCHE	OUI

RÉF. NO.	NO. DE PIÈCE	DESCRIPTION	EN STOCK
11	G010-0081-SER	PANNEAU DE CONTRÔLE	OUI
12	W010-3929-SER	ENSEMBLE DE LA BROCHE DU REFLECTEUR	OUI
13	W135-0623-SER	BASE DE SOUFFLERIE	OUI
14	W135-0621-SER	BÛCHE SUPÉRIEURE DU CÔTÉ DROITE	OUI
15	W135-0622-SER	BÛCHE SUPÉRIEURE DU CÔTÉ GAUCHE	OUI
16	W135-0624-SER	FRONT LOG	OUI
17	W185-0043-SER	GRILLE	OUI
18	W497-0025-SER	COUVERCLE DE FLAMME	OUI
19	W405-0023-SER	BRAISE DE DEL	OUI
20	W200-0010-SER	COUVERCLE DU BÔTIER CÂBLE RIGIDE	OUI
21	W285-0002-SER	FUSIBLE	OUI

# pièces de rechange

FR

**NOTE:** Usez de prudence lorsque vous enlevez et jetez des débris de verre ou des composants endommagés. Assurez-vous d'aspirer tous les débris de verre à l'intérieur de l'appareil avant de le faire fonctionner.



## 7.0 guide de dépannage

FR

### AVERTISSEMENT

- Coupez l'alimentation électrique à l'appareil et laissez-le refroidir avant d'effectuer un entretien. Seulement un technicien de service qualifié peut effectuer l'entretien ou la réparation de cet appareil électrique.

symptôme	problème	solution
L'appareil ne s'allume pas lorsque l'interrupteur est mis à « on ».	L'appareil n'est pas branché dans une prise de courant.	Vérifiez la prise, et branchez dans l'appareil si nécessaire.
	Branchement par câble sont incorrectes.	Voir la section « branchement par câble ».
	L'appareil a surchauffé et le dispositif de sécurité a entraîné le déclenchement de l'interrupteur thermique.	Débranchez l'appareil et le disjoncteur, laissez-le refroidir pendant 15 minutes, puis branchez l'appareil ou allumez le disjoncteur.
	Issue avec le panneau PCB principal.	Inspectez la carte de circuit imprimé et remplacez-le si nécessaire.
L'appareil s'éteint et ne se rallume pas.	Le disjoncteur de la maison s'est déclenché.	Réinitialisez le disjoncteur.
	Le fusible de l'appareil a éteint.	Remplacez le fusible.
	L'appareil a surchauffé et le dispositif de sécurité a entraîné le déclenchement de l'interrupteur thermique.	Débranchez l'appareil et le disjoncteur, laissez-le refroidir pendant 15 minutes, puis branchez l'appareil ou allumez le disjoncteur.
L'appareil est revenue à les paramètres par défaut.	Panne de courant.	Reprogramme l'appareil au paramètres d'origine (pas applicable avec tous les appareils).
La télécommande ne fonctionne pas.	Les piles sont faibles.	Remplacez les piles de la télécommande.
	Dysfonctionnement du récepteur à distance.	Assurez-vous que le récepteur à distance n'est pas bloqué. Remplacez le panneau.
L'appareil n'émet aucune chaleur.	Réglage du chauffage n'est pas sélectionné.	Voir la section « fonctionnement ».
	Le chauffage a été verrouillé.	Voir la section « fonctionnement ».
	La température ambiante est plus élevé que le réglage de l'appareil (si réglée au température de la chambre).	Réinitialisez le réglage pour la température.
	L'appareil a surchauffé et le dispositif de sécurité a entraîné le déclenchement de l'interrupteur thermique.	Débranchez l'alimentation ou éteignez le disjoncteur. Laissez l'appareil refroidir pendant 15 minutes.
	Branchement par câble sont incorrectes.	Voir la section « branchement par câble ».
	Problème avec le chauffage.	Inspectez la soufflerie and le chauffage, et les remplacez si nécessaire.
La chauffage s'éteint automatiquement.	La salle est trop chaude.	L'appareil est équipé d'un thermostat intégré et s'éteindra automatiquement lorsque la température programmée sera atteinte. Il s'allumera automatiquement lorsque la température de la pièce descendra en dessous de la température programmée.

La luminosité du jeu de flammes est faible ou inexistante.	Éclat de flamme n'est pas sélectionné.	Voir la section « fonctionnement ».
	Problème avec les flamme DELs.	Vérifiez les DELs et remplacez-les si nécessaire.
	Problème avec le panneau PCB principal.	Vérifiez le panneau PCB principal et remplacez-le si nécessaire.
La flamme ne bouge pas.	Le moteur est calé / ne fonctionne pas	Cycle de marche / arrêt. Si le problème persiste, consultez votre détaillant.
Le lit de braises s'aillumine pas ou ne diminue pas en luminosité.	Luminosité n'est pas sélectionné.	Voir la section « fonctionnement ».
	Problème avec les DEL de braises.	Vérifiez les DEL de braises et remplacez-les si nécessaire.
	Problème avec le panneau PCB principal.	Vérifiez la panneau PCB principal et remplacez-le si nécessaire.
DEL clignote « OH ».	L'appareil a surchauffé et le dispositif de sécurité a entraîné le déclenchement de l'interrupteur thermique.	Débranchez l'appareil et le disjoncteur, laissez-le refroidir pendant 15 minutes, puis branchez l'appareil ou allumez le disjoncteur. Si le problème persiste, consultez votre détaillant.

## 8.0 garantie

FR

Les appareils électriques **Napoléon** sont fabriqués conformément aux normes strictes du Système de Gestion de la Qualité mondialement reconnu ISO 9001 : 2015.

Les produits **Napoléon** sont conçus avec des composants et des matériaux de qualité supérieure, assemblés par des artisans qualifiés qui sont fiers de leur travail. Une fois assemblé, chaque appareil est soigneusement inspecté par un technicien. une agence de service ou un distributeur qualifié(e) et autorisé(e) avant d'être emballé pour garantir que vous, le client, recevez le produit de qualité dont vous vous attendez de **Napoléon**.

### Garantie Standard Des Appareils Électriques Napoléon

Les composants électriques et les pièces soumises à l'usure sont couverts et **Napoléon** fournira gratuitement les pièces de rechange durant le première année de la garantie standard. Ceci couvre: le ventilateur/l'appareil de chauffage, les moteurs, les interrupteurs, les roulements à billes en nylon, les télécommandes et les lumières de DEL.\*

Les ampoules et fusibles NE SONT PAS couvert par le garantie.

Les coûts de main-d'oeuvre relatifs aux réparations garanties ne sont pas couverts.

\*La fabrication de chaque modèle varie. La garantie s'applique uniquement aux composants disponibles avec votre appareil spécifique.

### Conditions et Limitations

**Napoléon** garantit ses produits contre les défauts de fabrication à l'acheteur d'origine seulement. L'enregistrement de la garantie n'est pas nécessaire. Fournissez simplement une preuve d'achat ainsi que le modèle et le numéro de série afin d'effectuer une réclamation de garantie. L'achat doit avoir été fait par l'entremise d'un détaillant **Napoléon** autorisé et sous réserve des conditions et limitations suivantes:

La couverture de la garantie débute à partir de la date d'installation originale.

Cette garantie du fabricant n'est pas transférable et ne peut être prolongée par aucun de nos représentants.

L'installation doit être faite conformément aux instructions d'installation incluses avec le produit et à tous les codes d'incendie et de construction locaux et nationaux.

Cette garantie standard ne couvre pas les dommages causés par un mauvais usage, un manque d'entretien, un accident, des altérations, des abus, ou de la négligence, et l'installation de pièces d'autres fabricants annulera cette garantie.

Cette garantie standard ne couvre pas non plus les égratignures, les bossellements, la corrosion ou la décoloration causée par une chaleur excessive, des produits d'entretien chimiques et abrasifs, ou l'écaillage de pièces en porcelaine émaillée, le bris par manipulation des bûches PHAZER<sup>MD</sup>.

Au cours du première année seulement, cette garantie s'étend à la réparation ou au remplacement des pièces garanties dont les matériaux ou la fabrication sont défectueux à la condition que le produit ait été utilisé conformément aux instructions de fonctionnement et dans des conditions normales.

**Napoléon** ne sera pas responsable de l'installation, de la main d'œuvre, ou autres coûts ou dépenses relatives à la réinstallation d'une pièce garantie, et de telles dépenses ne sont pas couvertes par cette garantie. Nonobstant toutes les dispositions contenues dans cette garantie standard, la responsabilité de **Napoléon** sous cette garantie est définie comme ci-dessus et elle ne s'étendra à aucun dommage accidentel, consécutif, ou indirect.

Cette garantie définit l'obligation et la responsabilité de **Napoléon** en ce qui concerne l'appareil électrique **Napoléon**.

Toute autre garantie énoncée ou implicite en ce qui concerne ce produit, ses composants ou accessoires est exclue.

**Napoléon** n'endosse, ni n'autorise aucun tiers à assumer en son nom, toutes autres responsabilités concernant la vente de ce produit.

Tous dommages causés à l'appareil, aux garnitures en laiton ou autres composants par l'eau, les dommages causés par les intempéries, de longues périodes d'humidité, la condensation, des produits chimiques, ou produits d'entretien nuisibles ne seront pas la responsabilité de **Napoléon**.

**Napoléon** se réserve le droit de demander à son représentant d'inspecter tout produit ou pièce avant d'honorer toute réclamation.

Toutes les pièces remplacées en vertu de la politique de la garantie standard ne peuvent faire l'objet que d'une seule réclamation.

Toutes les pièces remplacées au titre de la garantie seront couvertes pour une période de 90 jours à partir de leur date d'installation.

Le fabricant peut exiger que les pièces défectueuses ou les produits soient retournés ou que des photos numériques soient fournies pour valider la réclamation. Les produits retournés doivent être expédiés port payé au fabricant pour une inspection en usine. Si un produit est déclaré défectueux, le fabricant le réparera ou le remplacera.

Avant d'expédier votre appareil ou les pièces défectueuses, votre détaillant doit obtenir un numéro d'autorisation. Toute marchandise expédiée à notre usine sans autorisation sera refusée et retournée à l'expéditeur.

Les coûts d'expédition ne sont pas couverts par cette garantie.

Des frais de service supplémentaires peuvent être appliqués si vous cherchez à obtenir des services au titre de la garantie auprès d'un détaillant.

Toutes les spécifications et les conceptions sont sujettes à modifications sans préavis en raison des améliorations constantes apportées aux produits. **Napoléon** est une marque de commerce déposée de Wolf Steel Ltée.









# NAPOLÉON CÉLÈBRE PLUS DE 40 ANS D'EXISTENCE CONSACRÉS À LA CONCEPTION DE PRODUITS DE CONFORT



7200, Route Transcanadienne, Montréal, Québec H4T 1A3  
24 Napoleon Road, Barrie, Ontario, Canada L4M 0G8  
214 Bayview Drive, Barrie, Ontario, Canada L4N 4Y8  
103 Miller Drive, Crittenden, Kentucky, USA 41030  
De Riemsdijk 22, 4004 LC Tiel, Pays-Bas

Téléphone: 1-866-820-8686

[napoleon.com](http://napoleon.com)