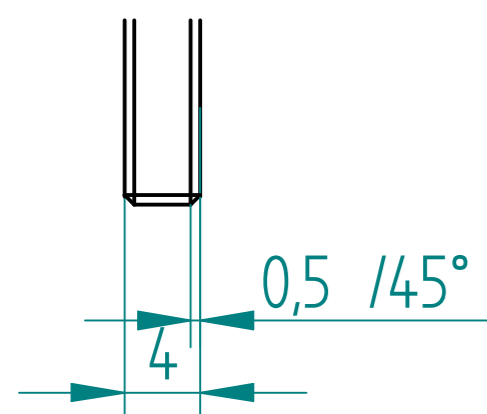
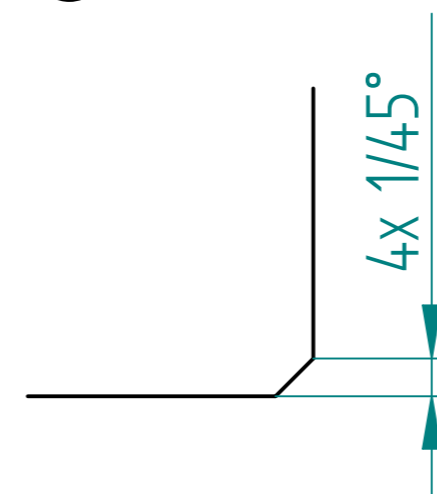




DETAL A
5:1



DETAL B
5:1



ALL EDGES MATT

	NAME	DATE	KOPERFAM SP. Z O.O.		
DRAWN	GM	02/18	ul. Olszankowa 51		
CHECKED			05-120 Legionowo, POLAND		
ENG APPR			TITLE		
MGR APPR			MAX 14 3F front		
			SIZE	DWG NO	REV
			A2		
SCALE:			WEIGHT:		

FILE NAME: MAX_7_3F_p2_SZYBA_FRONT_20180226.dft