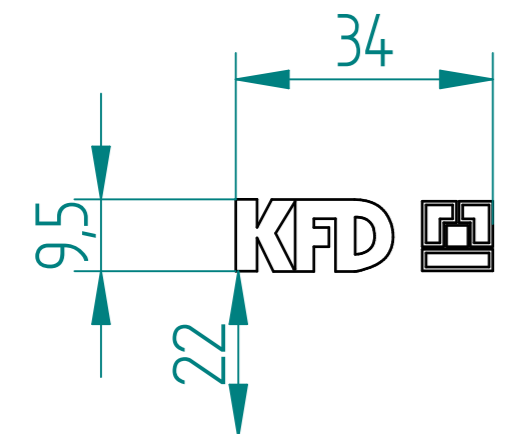
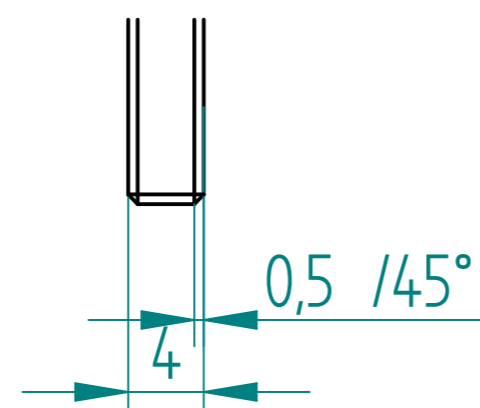



**DETAL B**  
2:1



**DETAL A**  
5:1



all edges matt

	NAME	DATE	<b>KOPERFAM SP. Z O.O.</b>	
DRAWN	GM	01/16	ul. Olszankowa 51	
CHECKED			05-120 Legionowo, POLAND	
ENG APPR			TITLE	
MGR APPR			SIZE DWG NO REV	
			FILE NAME: MAX_7_LR_SZYBA_BOK+LOGO.dft	
			SCALE:	WEIGHT: