

| | | | | | | |
|---|---------------------------|-------------------------------------|---------------------------|--------------------|-----------------------|--------------|
| 1PKIT | | 6 SOLAR PANELS KIT | | | Article No./Reference | |
| Designed by ALESSANDRO_FANTINI | Checked by OLGA_ULANOV | Approved by - date RA-2021/06/01 | File name 6X30_DIY | Date 2021/06/07 | Scale NTS | |
| This drawing is the property of AQUA SOLANOR INC. It may not be used for any purpose other than the owner. AQUA SOLANOR INC does not authorize the reproduction or conveyance of any information contained herein without prior written permission. | | | HYDRONIC_SOLAR_KIT | | | |
| | | | DWG.NO.:30T2C300L | | REVISION 0 | Sheet K02 |

1

2

3

4

A

A

B

B

C

C

D

D

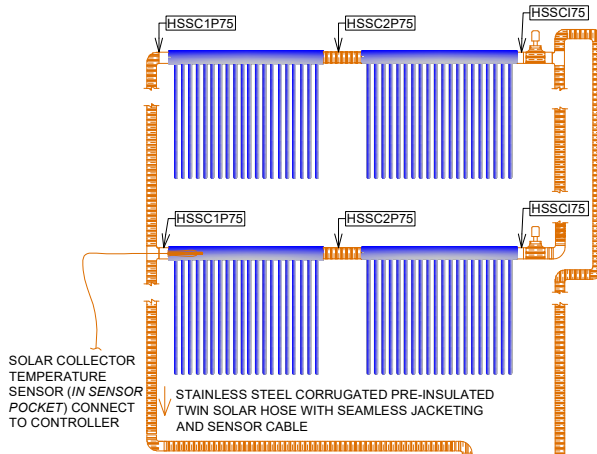
E

E

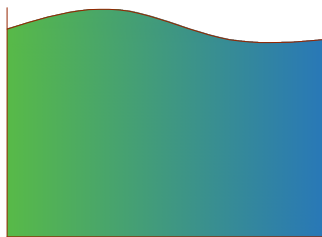
F

F

VACUUM TUBE SOLAR COLLECTOR



SWIMMING POOL/SPA/TUB



TITANIUM POOL HEAT EXCHANGER

POOL WATER SUPPLY 105°F

POOL WATER RETURN 85°F

FEMALE THREADED SAFETY VALVE OUTLET TO CONNECT TO NEAREST DRAIN

EXPANSION TANK

SOLAR PUMPING STATION KIT

PUMPING STATION INCLUDES:

1. SAFETY VALVE: 6BAR - 1/2" FEMALE OUTLET
2. MANOMETER: 0-6BAR
3. CHECK VALVE
4. CIRCULATION PUMP
5. DIGITAL FLOW METER
6. RETURN OUTLET CONNECTION (FROM COLLECTOR): 3/4"
7. WIRING TERMINAL OF CONTROLLER
8. EPP INSULATION CASE
9. FLOW OUTLET CONNECTION (TO COLLECTOR): 3/4"
10. INTEGRATED SOLAR CONTROLLER
11. WALL MOUNTING BRACKET
12. ACCESSORY BAG (INCLUDE 2 * SCREW AND DOWEL ; 2 * STRAIN RELIEF)
13. OPERATION AND MAINTENANCE MANUAL.

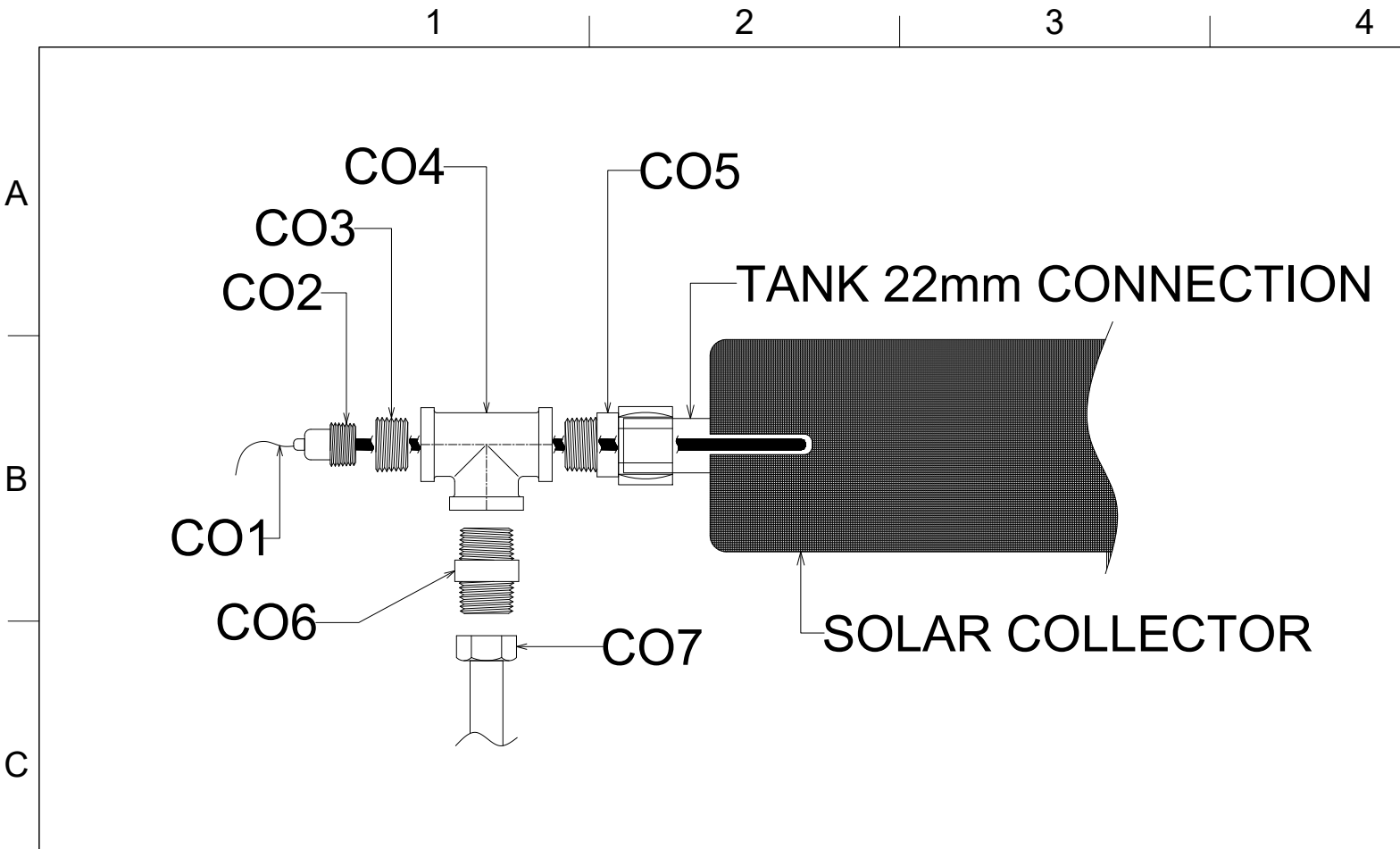
SUPPLIED WITH THE PUMPING STATION

14. 1 (X) COLLECTOR SENSOR
15. 2 (X) STORE SENSOR

| | | | | | | |
|---|---------------------------|-------------------------------------|-----------------------------|--------------------|-----------------------|--------------|
| 4PKIT | | 4 SOLAR PANELS KIT | | | Article No./Reference | |
| Designed by ALESSANDRO_FANTINI | Checked by OLGA_ULANOV | Approved by - date RA-2021/06/01 | File name 4X30_SR881 | Date 2021/06/07 | Scale NTS | |
| This drawing is the property of AQUA SOLANOR INC. It may not be used for any purpose other than the owner. AQUA SOLANOR INC does not authorize the reproduction or conveyance of any information contained herein without prior written permission. | | | <h2>HYDRONIC_SOLAR_KIT</h2> | | | |
| | | | DWG.NO.:30T2C300L | | REVISION 0 | Sheet K02 |

1

4



HSSCO50

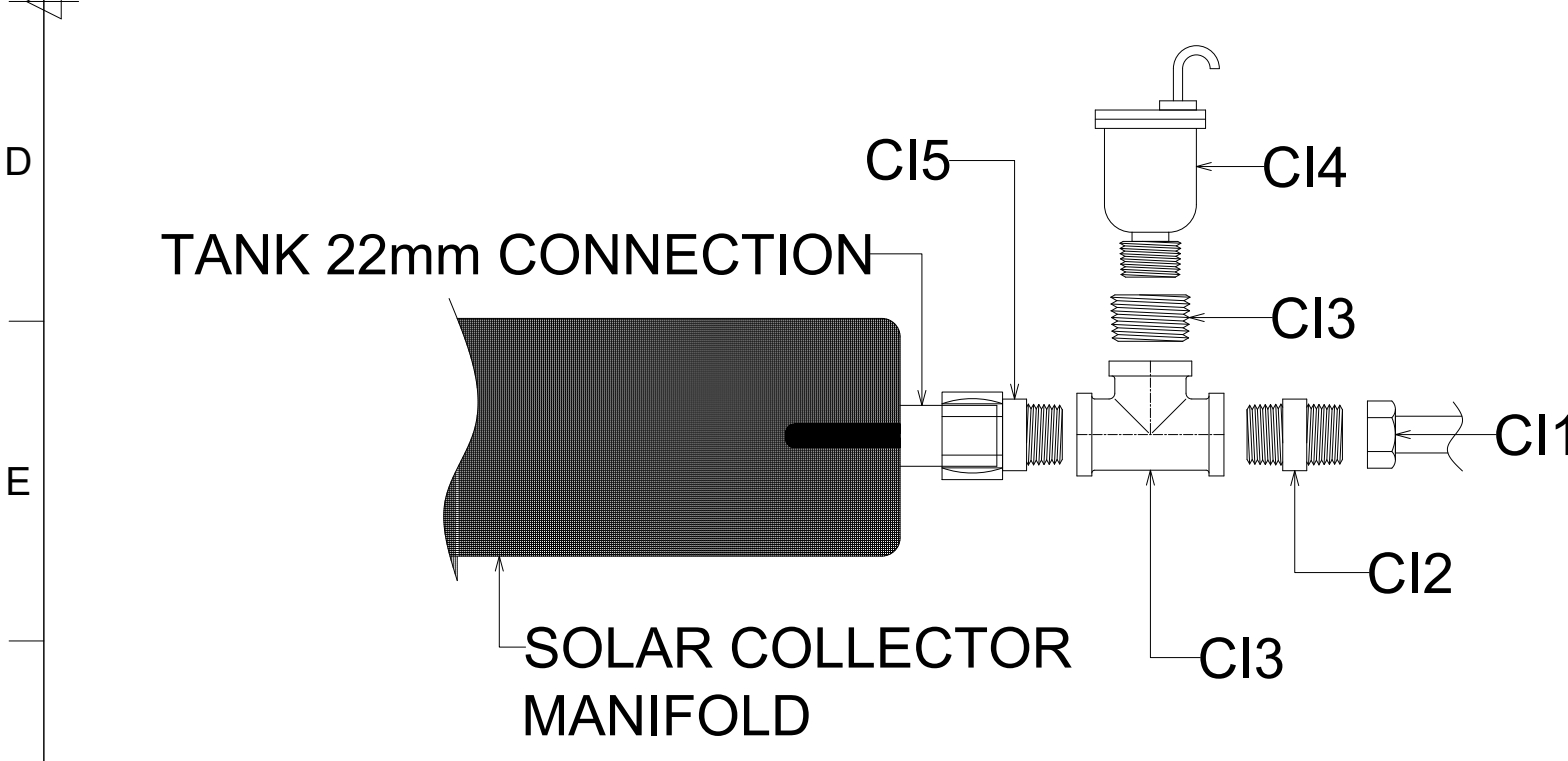
1/2" COLLECTOR'S OUTLET CONNECTION KIT

| | | |
|-----|--|--|
| CO1 | TEMPERATURE SENSOR | |
| CO2 | THERMAL WELL 1/2" MALE | |
| CO3 | NONE | |
| CO4 | FEMALE THREADED TEE 1/2" BSPT | |
| CO5 | PANEL CONNECTOR 1/2" MALE BSPT TO 22mm COMPRESSION | |
| CO6 | BSPT MALE THREADED NIPPLE 1/2 x 1/2" | |
| CO7 | BSPT SOLAR HOSE CONNECTOR 1/2" BSP NUT, SS CLIP & GASKET | |

HSSCO75

3/4" COLLECTOR'S OUTLET CONNECTION KIT

| | | |
|-----|--|--|
| CO1 | TEMPERATURE SENSOR | |
| CO2 | THERMAL WELL 1/2" MALE | |
| CO3 | REDUCER BUSH 3/4 x 1/2" BSPT | |
| CO4 | FEMALE THREADED TEE 3/4" BSPT | |
| CO5 | PANEL CONNECTOR 3/4" MALE BSPT TO 22mm COMPRESSION | |
| CO6 | BSPT MALE THREADED NIPPLE 3/4 x 3/4" | |
| CO7 | BSPT SOLAR HOSE CONNECTOR 3/4" BSP NUT, SS CLIP & GASKET | |



HSSCI50

1/2" COLLECTOR'S INLET CONNECTION KIT

| | | |
|-----|--|--|
| CI3 | NONE | |
| CI4 | AUTOMATIC AIR VENT 1/2" MALE BSPT | |
| CI5 | PANEL CONNECTOR 1/2" MALE BSPT TO 22mm COMPRESSION | |
| CI2 | BSPT MALE THREADED NIPPLE 1/2 x 1/2" | |
| CI1 | BSPT SOLAR HOSE CONNECTOR 1/2" BSP NUT, SS CLIP & GASKET | |

HSSCI75

3/4" COLLECTOR'S INLET CONNECTION KIT

| | | |
|-----|--|--|
| CI3 | REDUCER BUSH 3/4 x 1/2" BSPT | |
| CI4 | FEMALE THREADED TEE 3/4" BSPT | |
| CI5 | PANEL CONNECTOR 3/4" MALE BSPT TO 22mm COMPRESSION | |
| CI2 | BSPT MALE THREADED NIPPLE 3/4 x 3/4" | |
| CI1 | BSPT SOLAR HOSE CONNECTOR 3/4" BSP NUT, SS CLIP & GASKET | |

| | | | | | | |
|---------------------|---------------------|-------------------------------------|------------------|------------------|--------------|--|
| Ref. # | P/N | | | SERVICE | | |
| Designed by OLGA | Checked by ROGER | Approved by - date RA_2020-09-30 | File name SS1 | Date 20200929 | Scale NTS | |

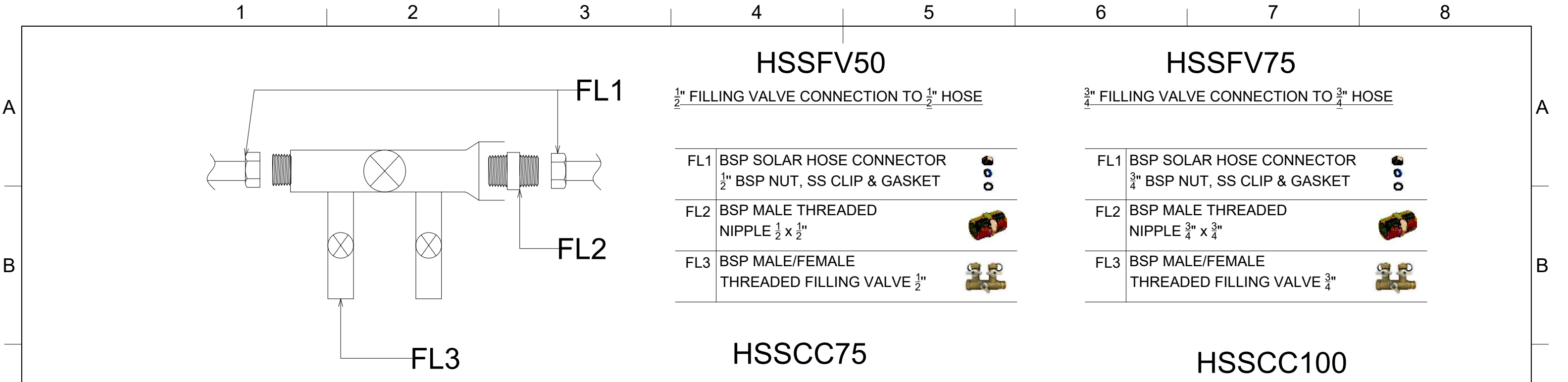
This drawing is the property of AQUA SOLANOR INC. It may not be used for any purpose other than the owner. AQUA SOLANOR INC does not authorize the reproduction or conveyance of any information contained herein without prior written permission.

AQUA SOLANOR
2459 46TH AVENUE, LACHINE (QC) H8T3C9

SOLAR_HEATING_KIT

DWG.NO.:SS215 Revision 0 Sheet DT-01

| RevNo | Revision note | Date | Signature | Checked |
|-------|--------------------------|------------|-----------|---------|
| 01 | FOR SUBMISSION TO CLIENT | 2020-09-29 | RA | YES |



HSSFV50

1/2" FILLING VALVE CONNECTION TO 1/2" HOSE

| | | |
|-----|--|--|
| FL1 | BSP SOLAR HOSE CONNECTOR 1/2" BSP NUT, SS CLIP & GASKET | |
| FL2 | BSP MALE THREADED NIPPLE 1/2 x 1/2" | |
| FL3 | BSP MALE/FEMALE THREADED FILLING VALVE 1/2" | |

HSSFV75

3/4" FILLING VALVE CONNECTION TO 3/4" HOSE

| | | |
|-----|--|--|
| FL1 | BSP SOLAR HOSE CONNECTOR 3/4" BSP NUT, SS CLIP & GASKET | |
| FL2 | BSP MALE THREADED NIPPLE 3/4 x 3/4" | |
| FL3 | BSP MALE/FEMALE THREADED FILLING VALVE 3/4" | |

HSSCC75

3/4" TANK CONNECTION KIT TO 3/4" FLEXIBLE STAINLESS
STEEL SOLAR PIPE

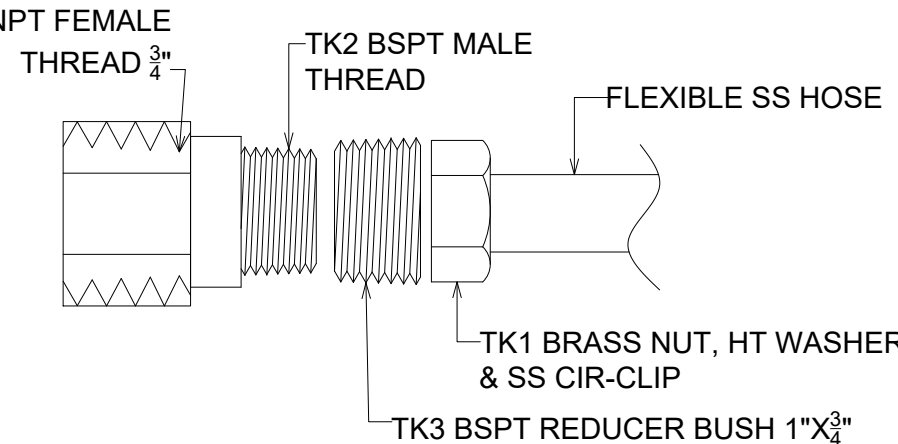
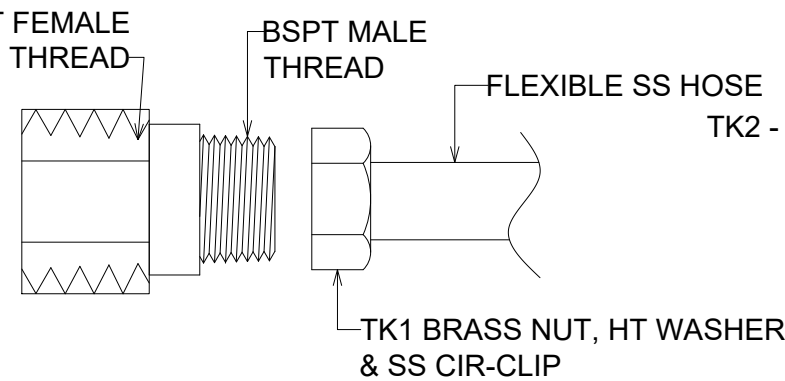
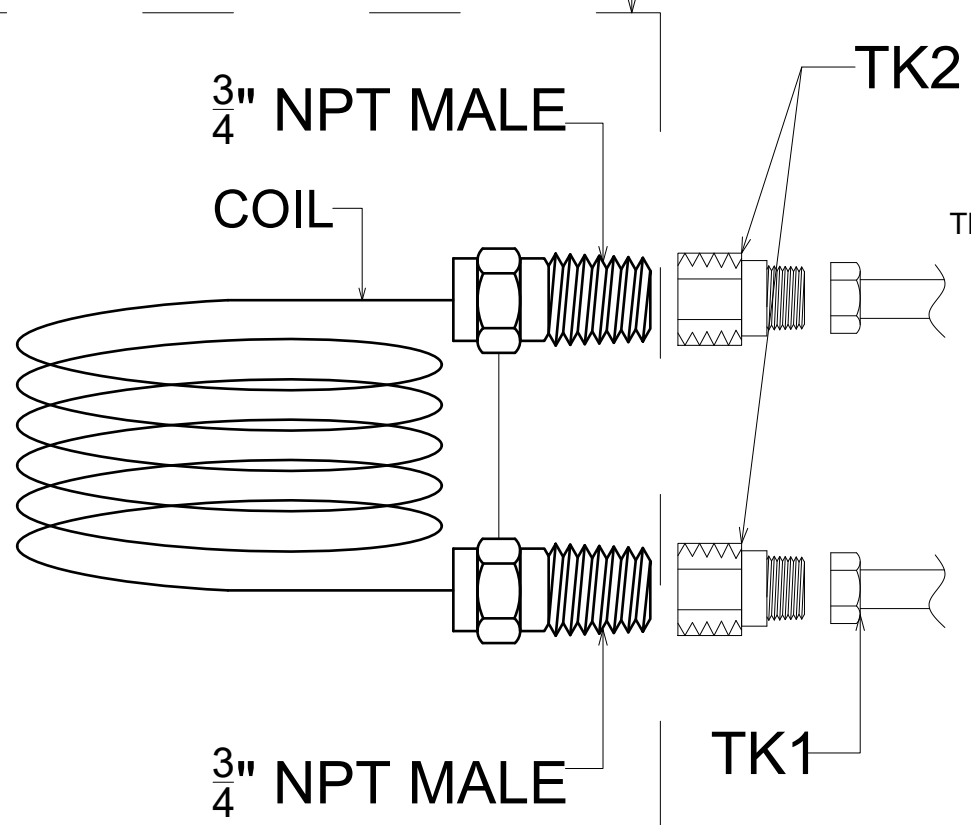
| | | |
|-----|--|--|
| TK1 | BSPT SOLAR HOSE CONNECTOR 3/4" BSPT NUT, SS CLIP & GASKET | |
| TK2 | NPT/BSPT THREADED ADAPTER FEMALE NPT 3/4" x MALE BSP 3/4" | |

HSSCC100

3/4" TANK COIL CONNECTION KIT TO 1" FLEXIBLE
STAINLESS STEEL SOLAR PIPE

| | | |
|-----|---|--|
| TK1 | BSPT SOLAR HOSE CONNECTOR 1" BSP NUT, SS CLIP & GASKET | |
| TK2 | NPT/BSPT THREADED ADAPTER FEMAL NPT 3/4" x MALE BSP 3/4" | |
| TK3 | BSPT REDUCER BUSH 1"X3/4" | |

NOT INCLUDED IN THE KIT



| | | | | | |
|---------------------|---------------------|-------------------------------------|------------------|------------------|--------------|
| Ref. # | P/N | | | SERVICE | |
| Designed by OLGA | Checked by ROGER | Approved by - date RA_2020-09-30 | File name SS1 | Date 20200929 | Scale NTS |

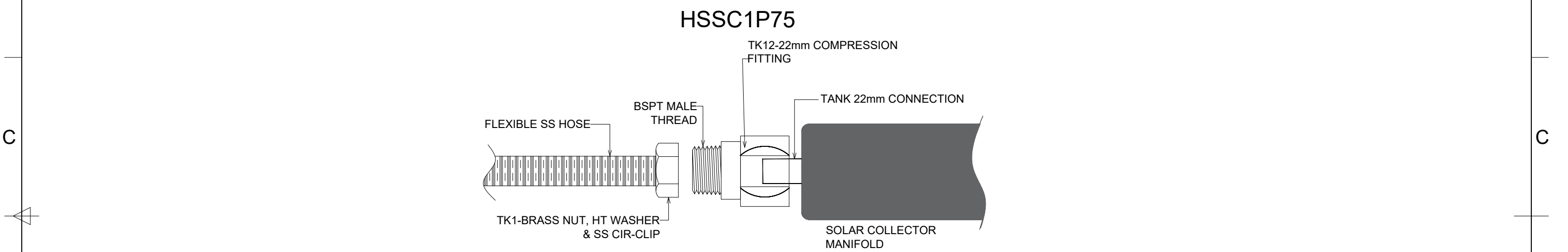
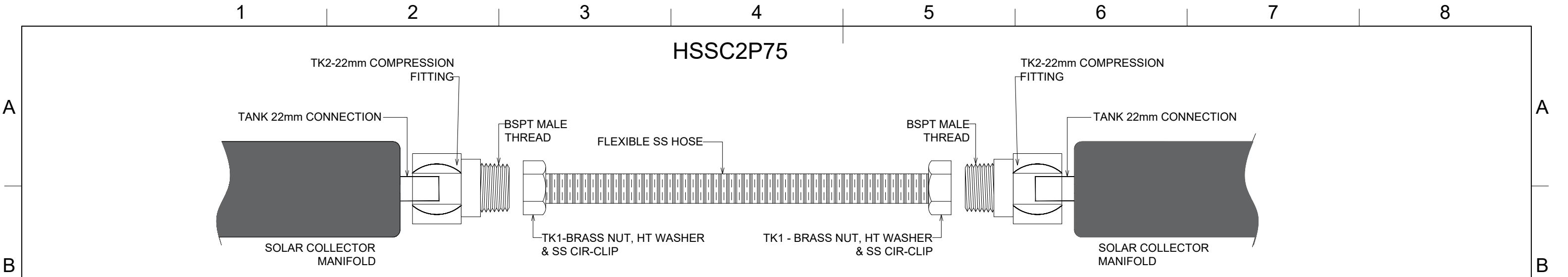
This drawing is the property of AQUA SOLANOR INC. It may not be used for any purpose other than the owner. AQUA SOLANOR INC does not authorize the reproduction or conveyance of any information contained herein without written permission.

AQUA SOLANOR
2459 46TH AVENUE, LACHINE (QC) H8T3C9

SOLAR_HEATING_KIT

DWG.NO.:SS215 Revision 0 Sheet DT-02

| RevNo | Revision note | Date | Signature | Checked |
|-------|--------------------------|------------|-----------|---------|
| 01 | FOR SUBMISSION TO CLIENT | 2020-09-29 | RA | YES |



HSSC1P75

22mm MANIFOLD CONNECTION KIT TO 3/4" FLEXIBLE STAINLESS STEEL SOLAR PIPE

| | | |
|-----|--|--|
| TK1 | BSPT SOLAR HOSE CONNECTOR 3/4" BSPT NUT, SS CLIP & GASKET | |
| TK2 | NPT/BSPT THREADED ADAPTER FEMALE NPT 3/4" x MALE BSP 3/4" | |

HSSC2P75

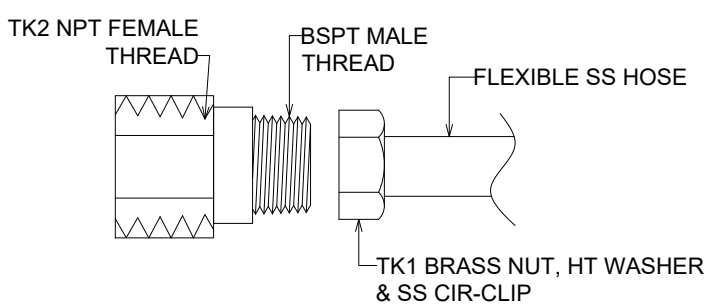
22mm MANIFOLD CONNECTION KIT TO 3/4" FLEXIBLE STAINLESS STEEL SOLAR PIPE

| | | |
|-----|--|--|
| TK1 | BSPT SOLAR HOSE CONNECTOR 3/4" BSPT NUT, SS CLIP & GASKET | |
| TK2 | NPT/BSPT THREADED ADAPTER FEMALE NPT 3/4" x MALE BSP 3/4" | |

HSSC2P100

22mm MANIFOLD CONNECTION KIT TO 1" FLEXIBLE STAINLESS STEEL SOLAR PIPE

| | | |
|-----|--|--|
| TK1 | BSPT SOLAR HOSE CONNECTOR 3/4" BSPT NUT, SS CLIP & GASKET | |
| TK2 | NPT/BSPT THREADED ADAPTER FEMALE NPT 3/4" x MALE BSP 3/4" | |



| | | | | | |
|---------------------|---------------------|-------------------------------------|------------------|------------------|--------------|
| Ref. # | P/N | | | SERVICE | |
| Designed by OLGA | Checked by ROGER | Approved by - date RA_2020-09-30 | File name SS1 | Date 20200929 | Scale NTS |

This drawing is the property of AQUA SOLANOR INC. It may not be used for any purpose other than the owner. AQUA SOLANOR INC does not authorize the reproduction or conveyance of any information contained herein without written permission.

AQUA SOLANOR
2459 46TH AVENUE, LACHINE (QC) H8T3C9

SOLAR_HEATING_KIT
DWG.NO.:SS215

| | |
|---------------|----------------|
| Revision 0 | Sheet DT-02 |
|---------------|----------------|

| RevNo | Revision note | Date | Signature | Checked |
|-------|--------------------------|------------|-----------|---------|
| 01 | FOR SUBMISSION TO CLIENT | 2020-09-29 | RA | YES |