

## DL3 Datalogger

Data logging with an extended range of functions



rosenthal design

- Data logging and parameterisation of up to 6 VBus® master devices
- Temperature measurement and logging – even without a controller
- BACnet functionality
- Integrated heat quantity measurement
- Remote access to the system via the VBus.net visualisation portal
- Comfortable system parameterisation via the RESOL RPT Parameterisation Tool possible
- Firmware updates via Internet or SD card
- Suitable for all RESOL controllers with VBus®
- Connection of external energy meters (e.g. inverters) via S0 interface

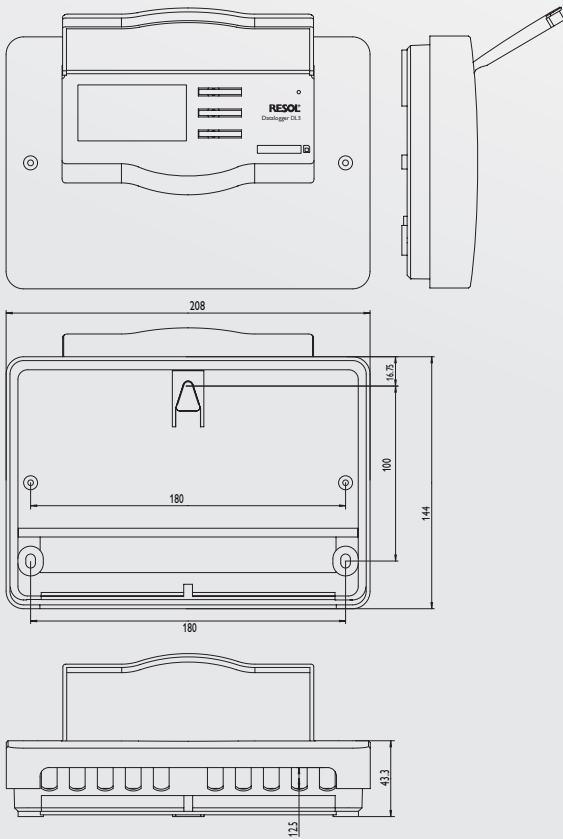
Subject to technical changes



**VBus.net**

The [www.VBus.net](http://www.VBus.net) visualisation portal – your system data displayed as live data, diagrams and tables

## Technical data



**Housing:** plastic, PC-ABS and PMMA

**Ingress protection:** IP 20/EN 60529

**Protection class:** III

**Ambient temperature:** 0 ... 40 °C

**Dimensions:** 144 x 208 x 43 mm

**Mounting:** wall mounting, mounting into patch panels possible

**Display:** full graphic display for status visualisation and operating control LED

**Inputs:** for 3 Pt500, Pt1000, KTY or impulse sensors, 1 current loop interface 0(4)-20 mA

**Operation:** 3 push buttons and 1 slide switch

**Interfaces:** 6 x RESOL VBus® for the connection to the controller (slave), 1 x SD card slot, 1 x LAN (10/100), 1 x USB master

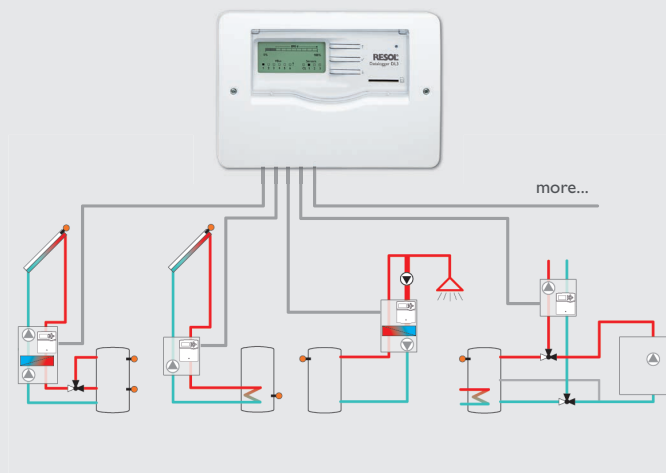
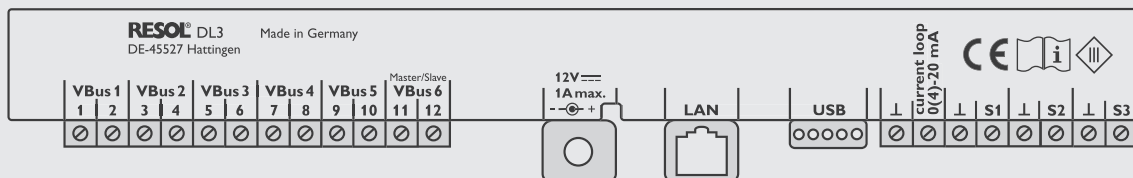
**Power supply:** input voltage of mains adapter: 100 ... 240 V~  
rated current: 1 A

input voltage of Datalogger: 12 V $\overline{=}$  (DC)

**Memory:** 160 MB internal memory, with a logging interval of 5 min. sufficient for:

- 18 months for a system with one *DeltaSol*® MX, 3 EM, 3 heating circuits and 1 HQM
- 24 months for a system with one *DeltaSol*® MX, 1 EM and 1 heating circuit
- 30 months for a system with one *DeltaSol*® MX

## Electrical connection



The DL3 Datalogger is used for logging data of up to 6 RESOL controllers and permits the visualisation via [www.VBus.net](http://www.VBus.net) and the parameterisation via RPT. Get a comprehensive overview of all controllers connected with the large full graphic display, all important settings are directly adjustable on the DL3. The integrated sensor and impulse inputs can measure and log temperatures – even without a controller.

The DL3 is furthermore equipped with a BACnet functionality for BACnet conform transmission of data and can thus be used in a building management system.