

1

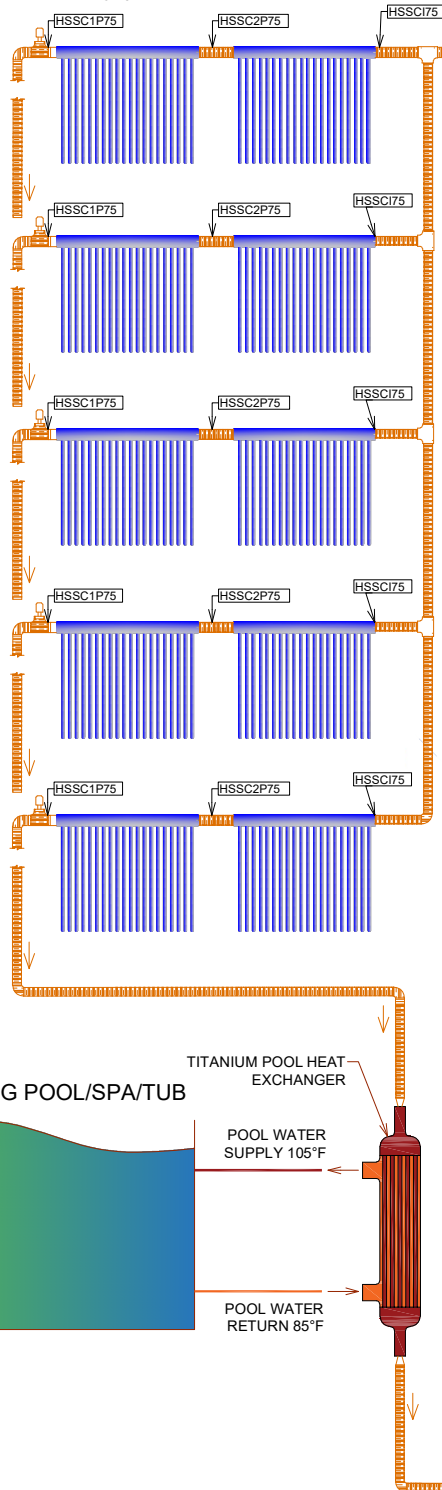
2

3

4

### VACUUM TUBE SOLAR COLLECTOR

STAINLESS STEEL CORRUGATED PRE-INSULATED TWIN SOLAR HOSE WITH SEAMLESS JACKETING AND SENSOR CABLE



SOLAR COLLECTOR TEMPERATURE SENSOR CONNECT TO CONTROLLER

DIY PUMPING STATION

SWIMMING POOL/SPA/TUB

TITANIUM POOL HEAT EXCHANGER

POOL WATER SUPPLY 105°F

POOL WATER RETURN 85°F

10PKIT

10 SOLAR PANELS KIT

Article No./Reference

Designed by  
ALESSANDRO\_FANTINI

Checked by  
OLGA\_ULANOV

Approved by - date  
RA-2021/06/01

File name  
10X30\_DIY

Date  
2021/06/07

Scale  
NTS

This drawing is the property of AQUA SOLANOR INC. It may not be used for any purpose other than the owner. AQUA SOLANOR INC does not authorize the reproduction or conveyance of any information contained herein without prior written permission.

## HYDRONIC\_SOLAR\_KIT

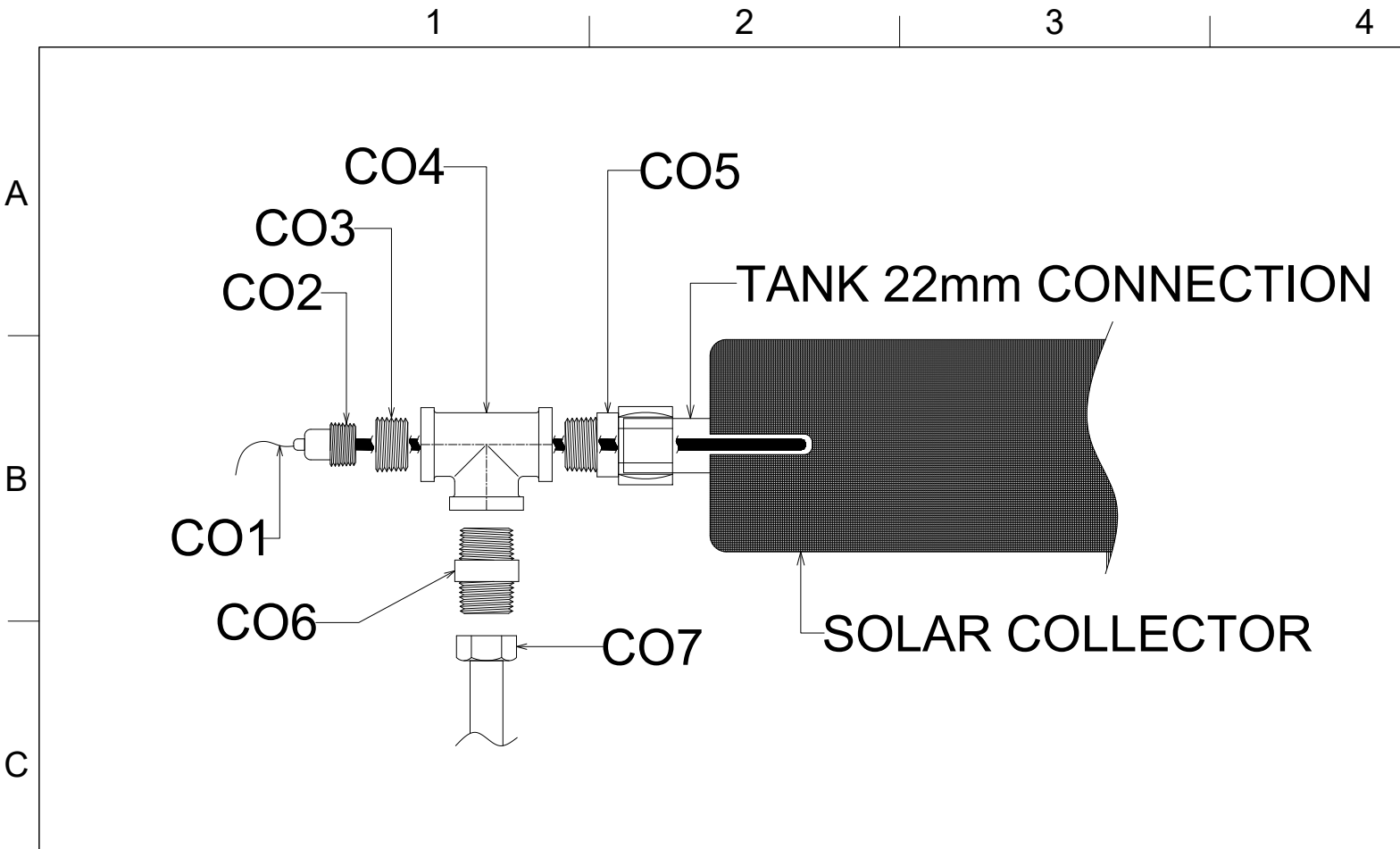
DWG.NO.:30T2C300L

REVISION  
0

Sheet  
K02

1

4



### HSSCO50

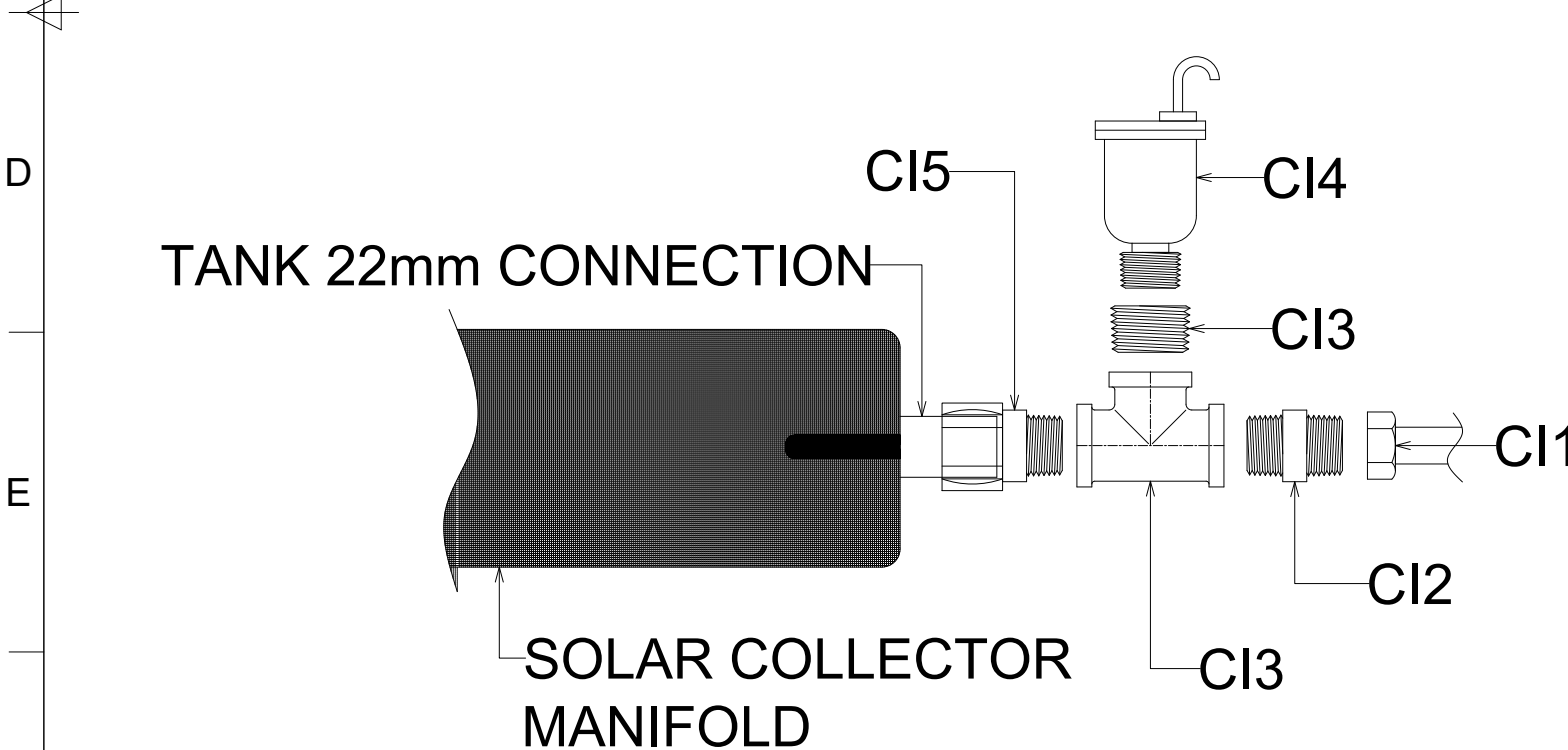
#### 1/2" COLLECTOR'S OUTLET CONNECTION KIT

CO1	TEMPERATURE SENSOR	
CO2	THERMAL WELL 1/2" MALE	
CO3	NONE	
CO4	FEMALE THREADED TEE 1/2" BSPT	
CO5	PANEL CONNECTOR 1/2" MALE BSPT TO 22mm COMPRESSION	
CO6	BSPT MALE THREADED NIPPLE 1/2 x 1/2"	
CO7	BSPT SOLAR HOSE CONNECTOR 1/2" BSP NUT, SS CLIP & GASKET	

### HSSCO75

#### 3/4" COLLECTOR'S OUTLET CONNECTION KIT

CO1	TEMPERATURE SENSOR	
CO2	THERMAL WELL 1/2" MALE	
CO3	REDUCER BUSH 3/4 x 1/2" BSPT	
CO4	FEMALE THREADED TEE 3/4" BSPT	
CO5	PANEL CONNECTOR 3/4" MALE BSPT TO 22mm COMPRESSION	
CO6	BSPT MALE THREADED NIPPLE 3/4 x 3/4"	
CO7	BSPT SOLAR HOSE CONNECTOR 3/4" BSP NUT, SS CLIP & GASKET	



### HSSCI50

#### 1/2" COLLECTOR'S INLET CONNECTION KIT

CI3	NONE	
CI4	AUTOMATIC AIR VENT 1/2" MALE BSPT	
CI5	PANEL CONNECTOR 1/2" MALE BSPT TO 22mm COMPRESSION	
CI2	BSPT MALE THREADED NIPPLE 1/2 x 1/2"	
CI1	BSPT SOLAR HOSE CONNECTOR 1/2" BSP NUT, SS CLIP & GASKET	

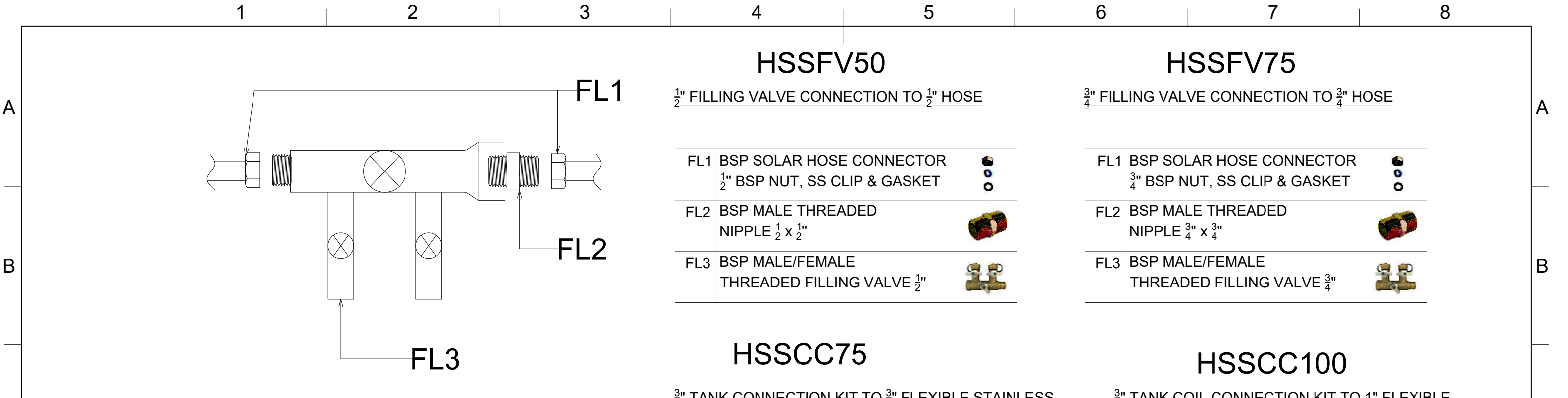
### HSSCI75

#### 3/4" COLLECTOR'S INLET CONNECTION KIT

CI3	REDUCER BUSH 3/4 x 1/2" BSPT	
CI4	FEMALE THREADED TEE 3/4" BSPT	
CI5	PANEL CONNECTOR 3/4" MALE BSPT TO 22mm COMPRESSION	
CI2	BSPT MALE THREADED NIPPLE 3/4 x 3/4"	
CI1	BSPT SOLAR HOSE CONNECTOR 3/4" BSP NUT, SS CLIP & GASKET	

RevNo	Revision note	Date	Signature	Checked
01	FOR SUBMISSION TO CLIENT	2020-09-29	RA	YES

	Ref. #	P/N	SERVICE	
Designed by OLGA	Checked by ROGER	Approved by - date RA_2020-09-30	File name SS1	Date 20200929
<b>AQUA SOLANOR</b>		<b>SOLAR_HEATING_KIT</b>		
2459 46TH AVENUE, LACHINE (QC) H8T3C9		DWG.NO.:SS215	Revision 0	Sheet DT-01



### HSSFV50

1/2" FILLING VALVE CONNECTION TO 1/2" HOSE

FL1	BSP SOLAR HOSE CONNECTOR 1/2" BSP NUT, SS CLIP & GASKET	
FL2	BSP MALE THREADED NIPPLE 1/2 x 1/2"	
FL3	BSP MALE/FEMALE THREADED FILLING VALVE 1/2"	

### HSSFV75

3/4" FILLING VALVE CONNECTION TO 3/4" HOSE

FL1	BSP SOLAR HOSE CONNECTOR 3/4" BSP NUT, SS CLIP & GASKET	
FL2	BSP MALE THREADED NIPPLE 3/4 x 3/4"	
FL3	BSP MALE/FEMALE THREADED FILLING VALVE 3/4"	

### HSSCC75

3/4" TANK CONNECTION KIT TO 3/4" FLEXIBLE STAINLESS  
STEEL SOLAR PIPE

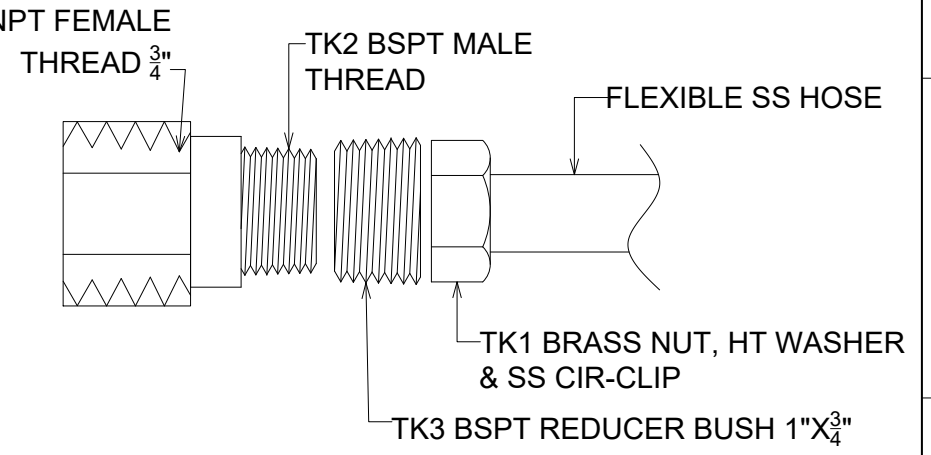
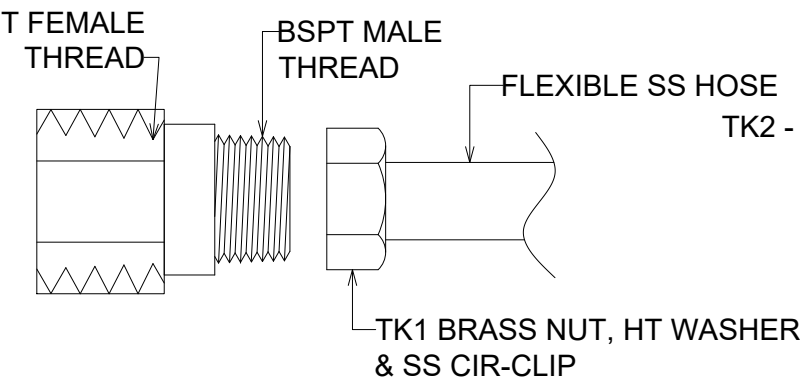
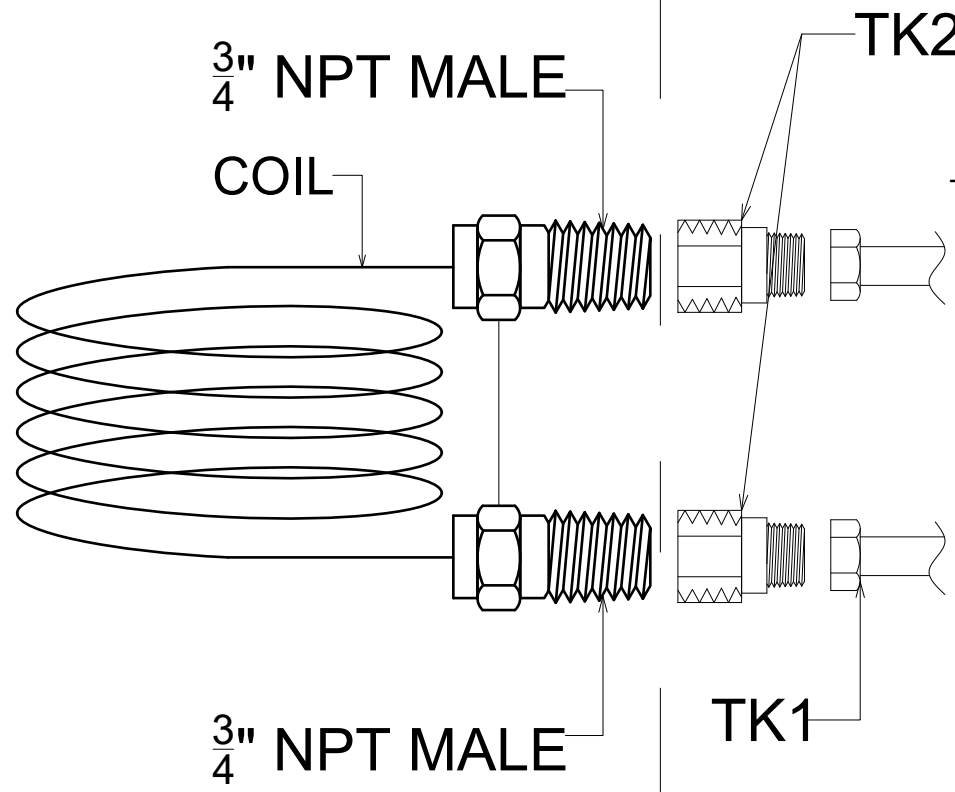
TK1	BSPT SOLAR HOSE CONNECTOR 3/4" BSPT NUT, SS CLIP & GASKET	
TK2	NPT/BSPT THREADED ADAPTER FEMALE NPT 3/4" x MALE BSP 3/4"	

### HSSCC100

3/4" TANK COIL CONNECTION KIT TO 1" FLEXIBLE  
STAINLESS STEEL SOLAR PIPE

TK1	BSPT SOLAR HOSE CONNECTOR 1" BSP NUT, SS CLIP & GASKET	
TK2	NPT/BSPT THREADED ADAPTER FEMAL NPT 3/4" x MALE BSP 3/4"	
TK3	BSPT REDUCER BUSH 1"X3/4"	

**NOT INCLUDED IN THE KIT**



Ref. #	P/N			SERVICE	
Designed by OLGA	Checked by ROGER	Approved by - date RA_2020-09-30	File name SS1	Date 20200929	Scale NTS

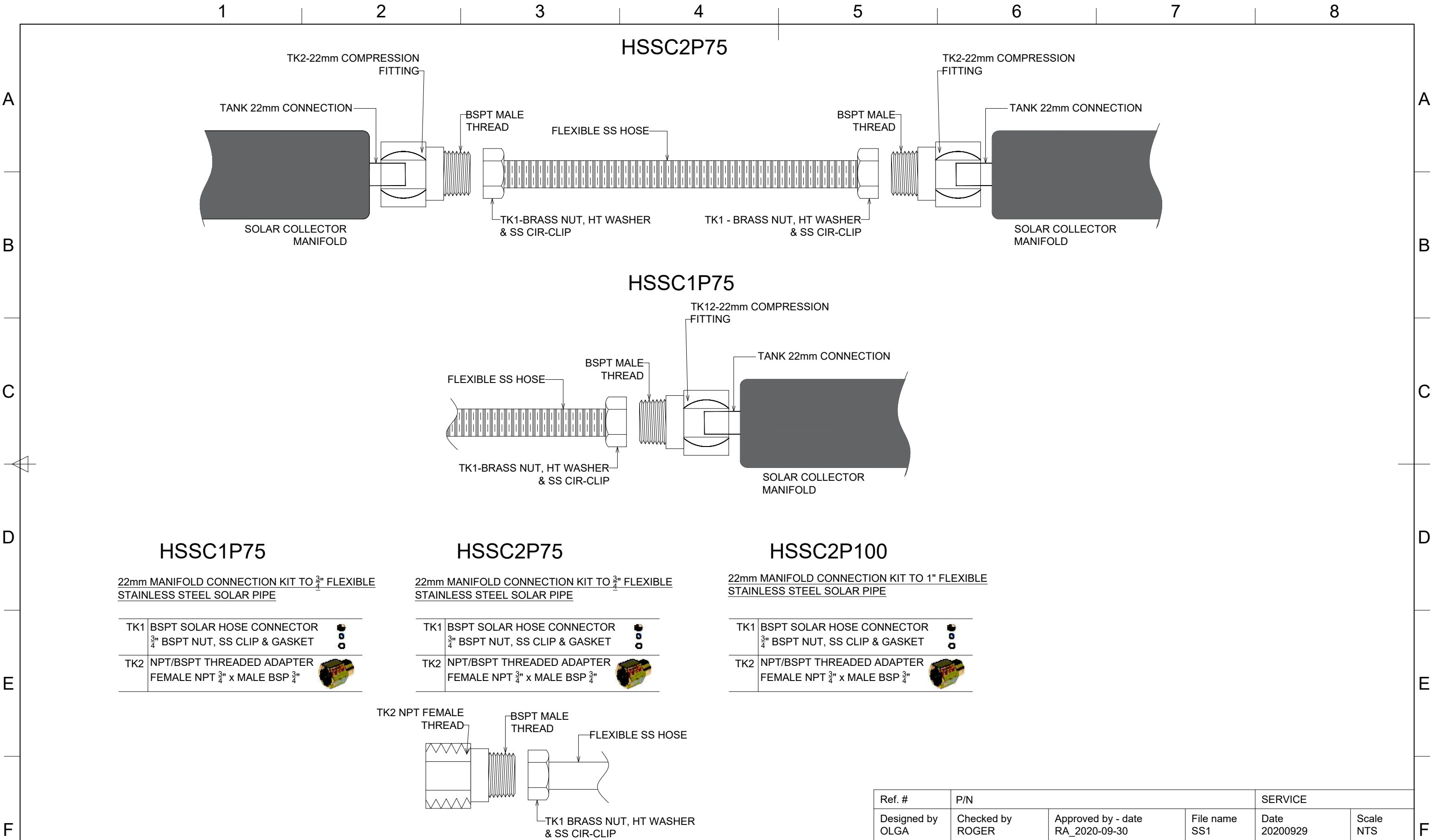
This drawing is the property of AQUA SOLANOR INC. It may not be used for any purpose other than the owner. AQUA SOLANOR INC does not authorize the reproduction or conveyance of any information contained herein without written permission.

**AQUA SOLANOR**  
2459 46TH AVENUE, LACHINE (QC) H8T3C9

**SOLAR\_HEATING\_KIT**

DWG.NO.:SS215      Revision 0      Sheet DT-02

RevNo	Revision note	Date	Signature	Checked
01	FOR SUBMISSION TO CLIENT	2020-09-29	RA	YES



This drawing is the property of AQUA SOLANOR INC. It may not be used for any purpose other than the owner. AQUA SOLANOR INC does not authorize the reproduction or conveyance of any information contained herein without written permission.

Ref. #	P/N	SERVICE	
Designed by OLGA	Checked by ROGER	Approved by - date RA_2020-09-30	File name SS1
		Date 20200929	Scale NTS

**AQUA SOLANOR**  
2459 46TH AVENUE, LACHINE (QC) H8T3C9

**SOLAR\_HEATING\_KIT**

DWG.NO.:SS215

Revision 0

Sheet DT-02

RevNo	Revision note	Date	Signature	Checked
01	FOR SUBMISSION TO CLIENT	2020-09-29	RA	YES