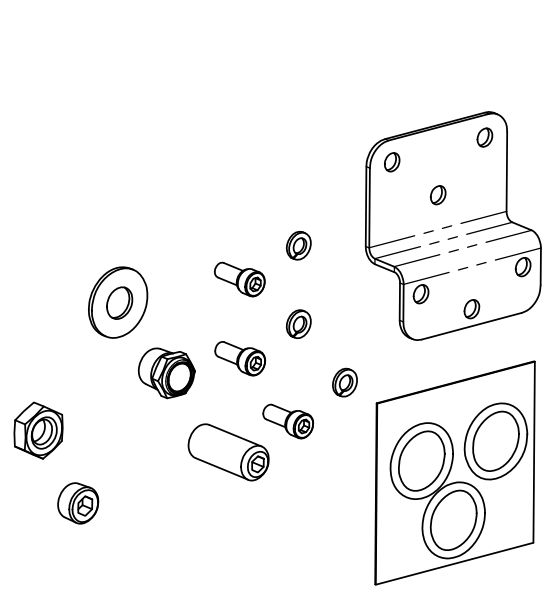


NOTES:

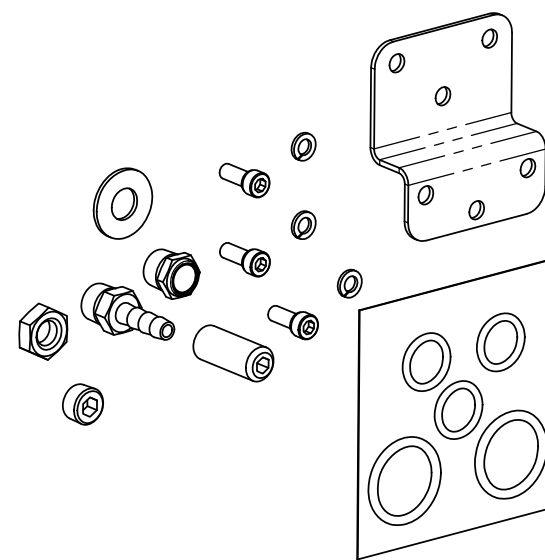
1. THIS DRAWING DESCRIBES THE FUELAB 145xx SERIES REPLACEMENT BRACKET AND HARDWARE KIT.
2. FEATURES INCLUDE:
- COMPATIBILITY WITH FUELAB 515xx, 525xx, 535xx, 545xx, 555xx, 565xx, 575xx, 585xx, 529xx, 501xx SERIES REGULATORS, 818xx, 828xx (2 REQUIRED), 848xx, 858xx (2 REQUIRED) SERIES FILTERS, 404xx, 414xx, 424xx, 103xx SERIES PUMPS
3. SEE TABLES BELOW FOR DETERMINATION OF DESIRED MODEL NUMBER.
4. REFERENCE DRAWING 1450202A1 FOR ASSEMBLY / BAGGING INSTRUCTIONS.

MODEL SELECTION TABLE

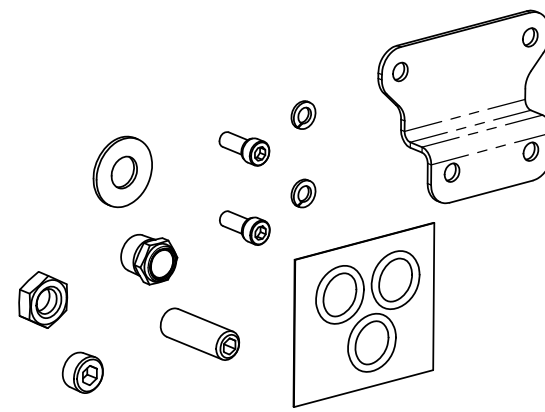
MODEL	DESCRIPTION	SERIES COMPATIBILITY
14501	REGULATOR BRACKET/HARDWARE KIT	555xx
14502	REGULATOR BRACKET/HARDWARE KIT	515xx, 525xx, 529xx, 501xx
14503	REGULATOR BRACKET/HARDWARE KIT	575xx
14504	REGULATOR BRACKET/HARDWARE KIT	535xx, 545xx
14505	REGULATOR BRACKET/HARDWARE KIT	585xx
14506	REGULATOR BRACKET/HARDWARE KIT	565xx
14507	FILTER BRACKET/HARDWARE KIT	818xx, 828xx (2 req.), 848xx, 858xx (2 req.)
14510	PUMP BRACKET/HARDWARE KIT	404xx, 414xx, 424xx, 103xx



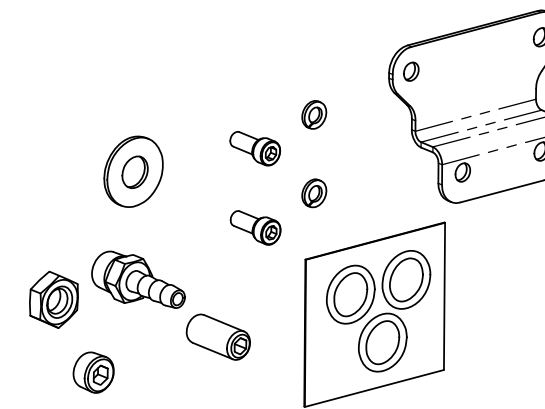
CONTENTS OF MODEL 14501 SHOWN ABOVE



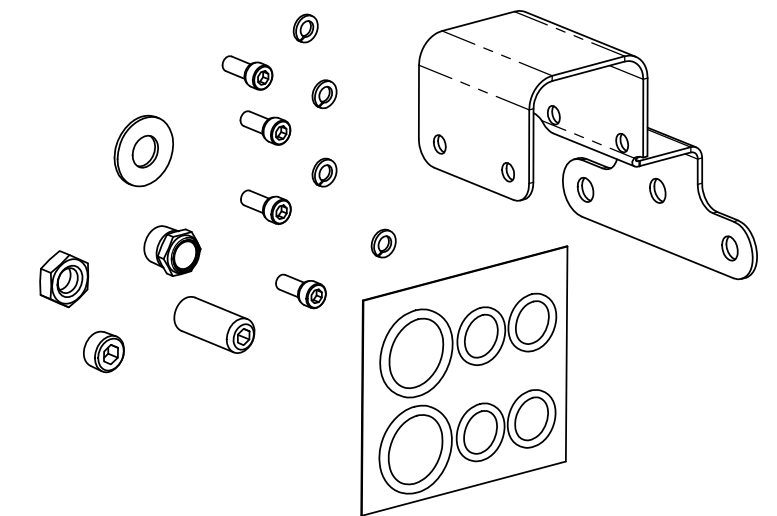
CONTENTS OF MODEL 14502 SHOWN ABOVE



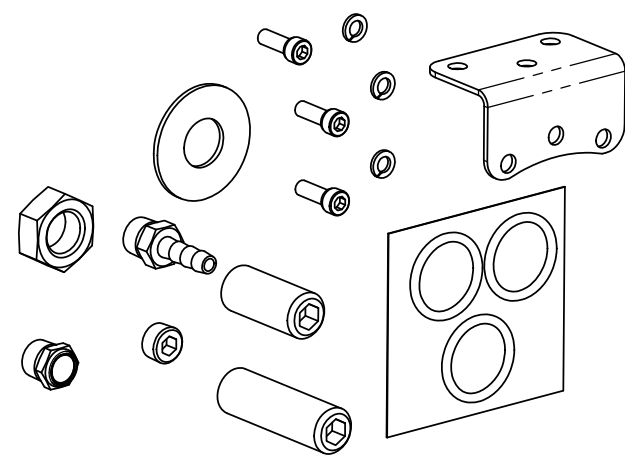
CONTENTS OF MODEL 14503 SHOWN ABOVE



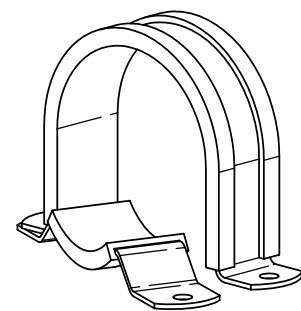
CONTENTS OF MODEL 14504 SHOWN ABOVE



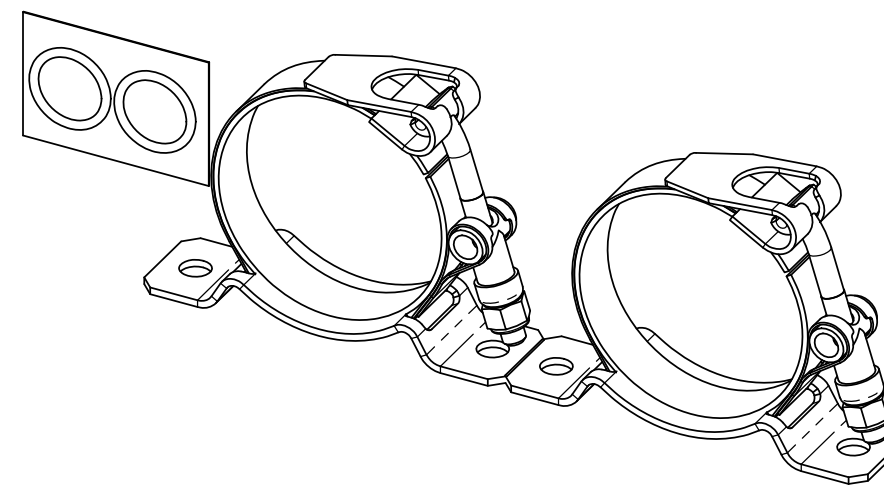
CONTENTS OF MODEL 14505 SHOWN ABOVE




CONTENTS OF MODEL 14506 SHOWN ABOVE



CONTENTS OF MODEL 14507 SHOWN ABOVE (2 REQUIRED FOR MODELS 828xx AND 858xx)



CONTENTS OF MODEL 14510 SHOWN ABOVE

UNLESS OTHERWISE SPECIFIED: INTERPRET DWG PER ANSI Y14.5 DIMENSIONS ARE IN INCHES TOLERANCES: FRACTIONAL: ±1/64" ANGULAR: ±1/2° DECIMALS: X±1 .XX±.03 .XXX±.010 SURFACE FINISH 128 OR BETTER BREAK ALL SHARP EDGES .010 MAX REMOVE ALL BURRS		 Collinsville, Illinois	
TITLE: BRACKET / HARDWARE KIT, 145xx SERIES			
SIZE C	DWG. NO. 145020200	REV B	
SCALE: 1/2		WEIGHT:	SHEET: 1 OF 1