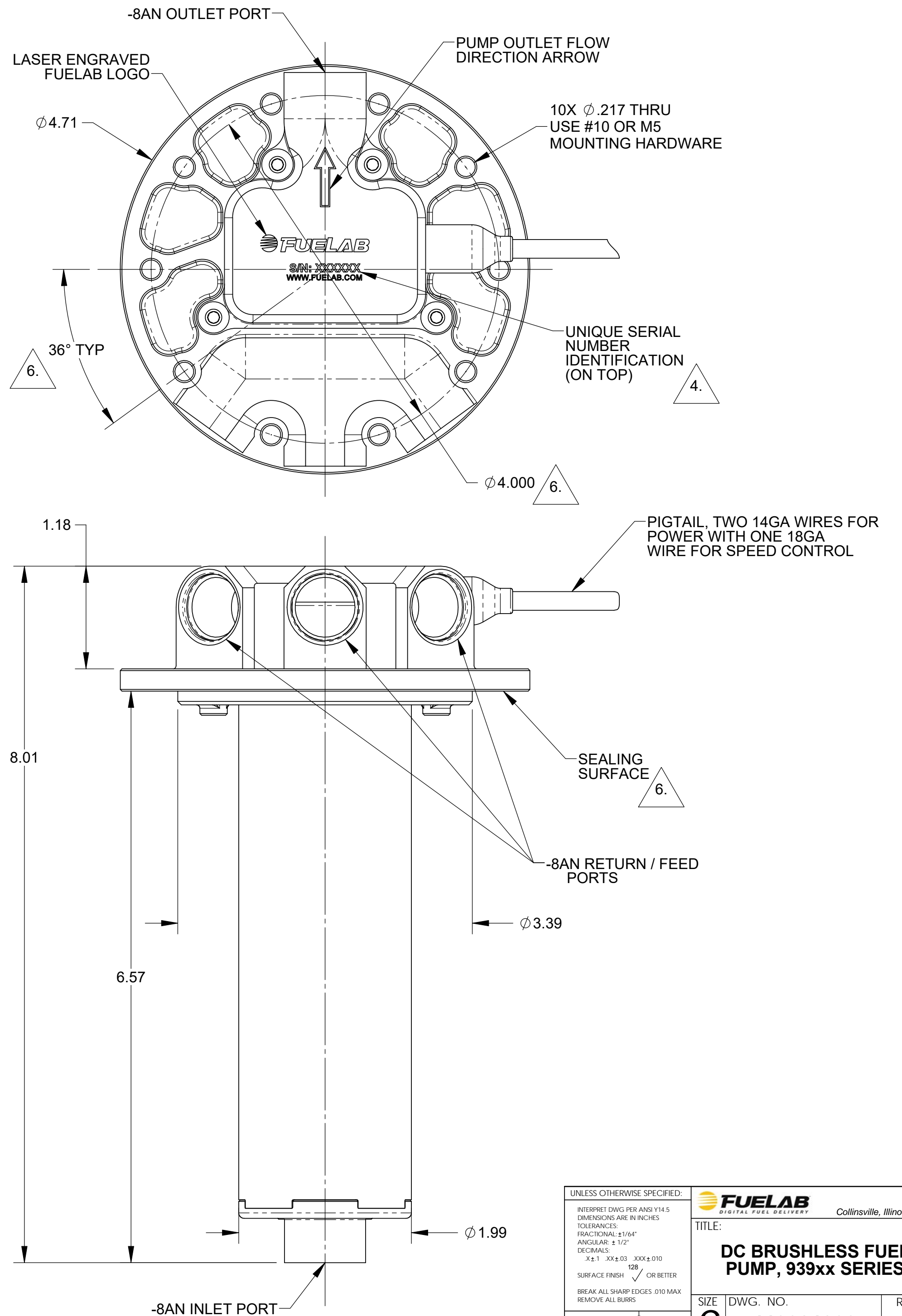
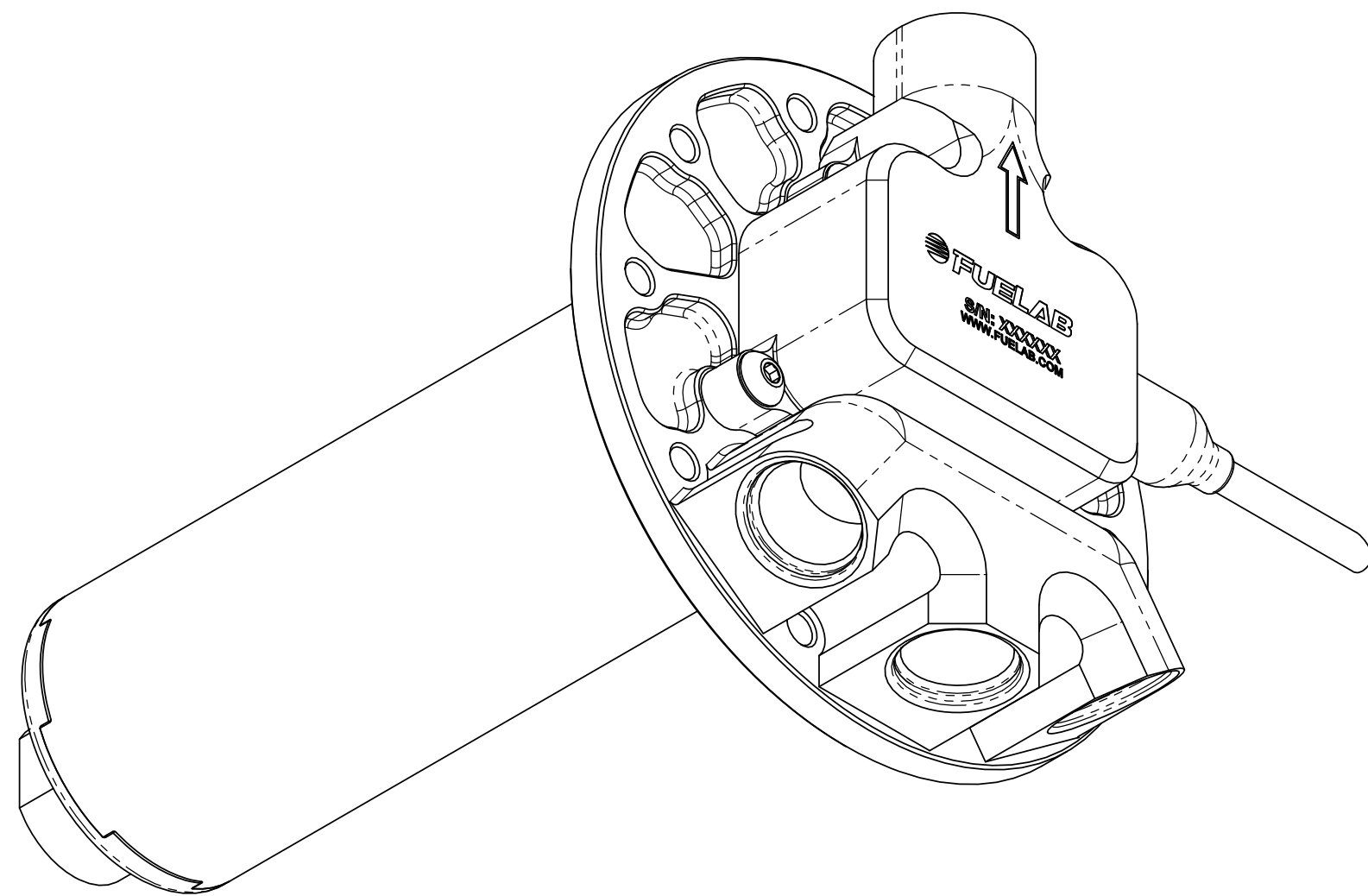


NOTES:

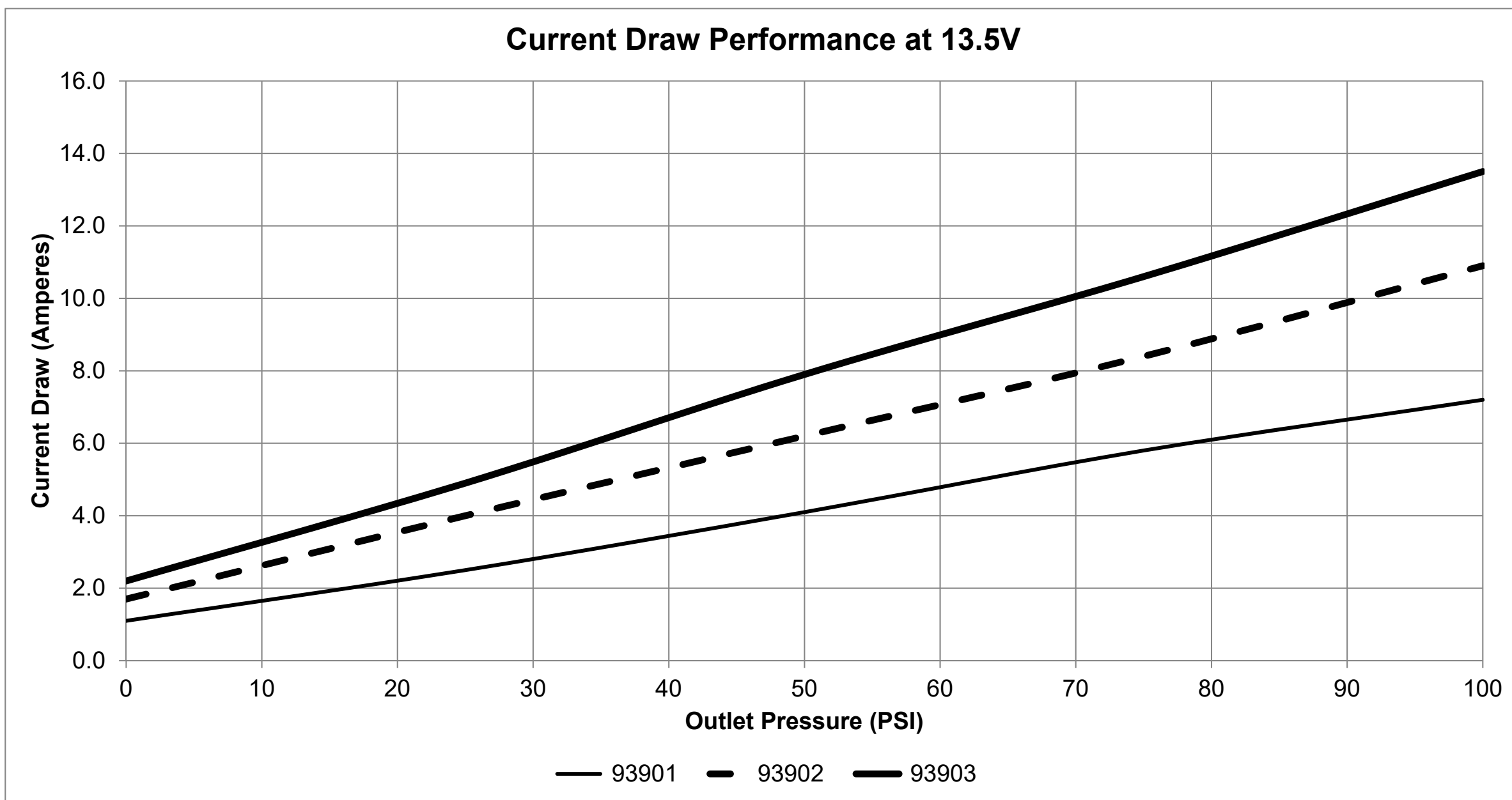
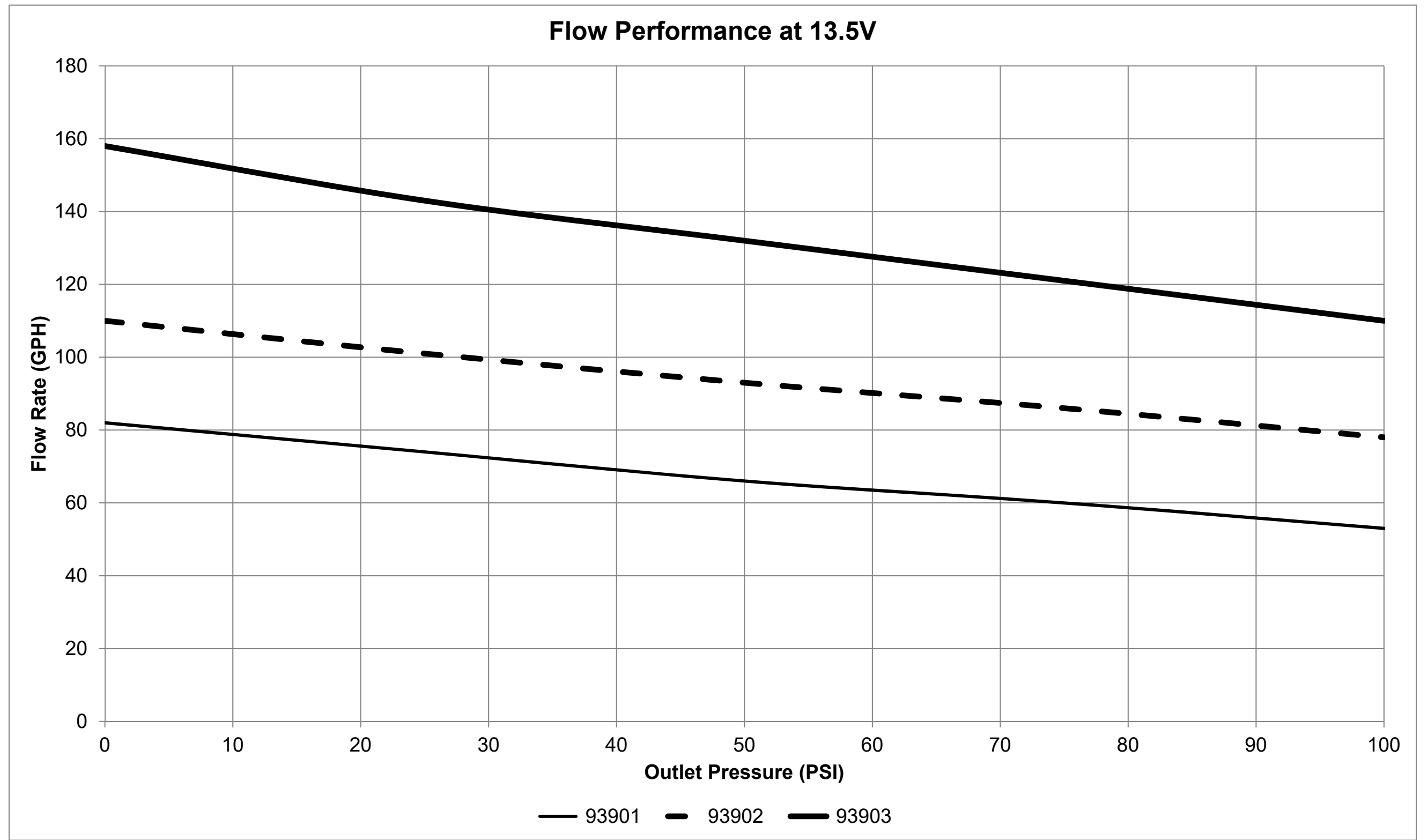
1. THIS DRAWING DESCRIBES THE FUELAB 939xx SERIES DC BRUSHLESS FUEL PUMP (SAE MOUNT).
2. FEATURES INCLUDE:
 - 10-SCREW SAE FLANGE MOUNT.
 - THREE PHASE DC BRUSHLESS MOTOR WITH NEODYMIUM MAGNETS
 - WET MOTOR DESIGN, WITHOUT DYNAMIC SHAFT SEALS
 - SCREW STYLE PUMPING MECHANISM
 - INTEGRATED CONTROLLER ELECTRONICS WITH PWM SPEED CONTROL
 - INTEGRATED AUXILIARY THREE -8AN RETURN/FEED PORTS
 - BILLET ALUMINUM, STAINLESS STEEL CONSTRUCTION WITH FLUOROSILICONE SEALS
3. FUEL COMPATIBILITY INCLUDES:
 - GASOLINE (PUMP OR RACE)
 - METHANOL
 - ETHANOL (INCLUDING E85)
 - DIESEL
4. UNIQUE SERIAL NUMBER DOES NOT CONTAIN DIRECT INFORMATION IN DETERMINING MODEL NUMBER. CONTACT FUELAB FOR DETERMINATION OF MODEL NUMBER BASED ON SERIAL NUMBER.
5. INLET O-RING, INSTRUCTIONS AND PERFORMANCE CERTIFICATION INCLUDED, BAGGED SEPARATELY FROM PUMP.
6. 10-SCREW SAE FLANGE MOUNT SYSTEM ALLOWS STANDARD INTEGRATION FOR RACING FUEL CELLS OR FUEL SURGE TANKS, REFERENCE DEFINED PATTERN.
7. 8-18 VOLT OPERATING RANGE, USE ONLY 12 VOLT OR 16 VOLT (6 OR 8 CELL LEAD ACID BATTERY) VEHICLE SYSTEMS WITH OR WITHOUT CHARGING SYSTEM.
8. PUMP REQUIRES BYPASS REGULATOR OR RELIEF VALVE TO AVOID OVER-PRESSURE OPERATING CONDITION.
9. SEE TABLE BELOW FOR DETERMINATION OF DESIRED MODEL NUMBER.
10. REFERENCE DRAWING 1100212A1 FOR ASSEMBLY INSTRUCTIONS.

MODEL SELECTION TABLE

MODEL	FLOW RATING, AT 13.5v	FLOW RATING, AT 13.5v	MAX. PRESSURE
93901	66 GPH AT 45 PSI	250 LPH AT 3.0 BAR	125 PSI (8.5 BAR)
93902	92 GPH AT 45 PSI	350 LPH AT 3.0 BAR	125 PSI (8.5 BAR)
93903	132 GPH AT 45 PSI	500 LPH AT 3.0 BAR	125 PSI (8.5 BAR)



UNLESS OTHERWISE SPECIFIED:		FUELAB Collinsville, Illinois	
<small>INTERPRET DWG PER ANSI Y14.5 DIMENSIONS ARE IN INCHES TOLERANCES: FRACTIONAL: $\pm 1/64$" ANGULAR: $\pm 1/2^\circ$ DECIMALS: X=1 .XX\pm.03 .XXX\pm.010 SURFACE FINISH $\sqrt{128}$ OR BETTER BREAK ALL SHARP EDGES .010 MAX REMOVE ALL BURRS</small>			
TITLE:		DC BRUSHLESS FUEL PUMP, 939xx SERIES	
SIZE	DWG. NO.	REV	
C	110021200		
SCALE: 1/1	WEIGHT:	SHEET: 1 OF 2	



UNLESS OTHERWISE SPECIFIED: INTERPRET DWG PER ANSI Y14.5 DIMENSIONS ARE IN INCHES TOLERANCES: FRACTIONAL: ±1/64" ANGULAR: ±1/2° DECIMALS: X±1 .XX±.03 .XXX±.010 SURFACE FINISH: 128 ✓ OR BETTER BREAK ALL SHARP EDGES .010 MAX. REMOVE ALL BURRS		FUELAB DIGITAL FUEL DELIVERY Collinsville, Illinois	
TITLE: DC BRUSHLESS FUEL PUMP, 939xx SERIES			
SIZE	DWG. NO.	REV	
C	110021200		
SCALE: 1/1		WEIGHT:	SHEET: 2 OF 2