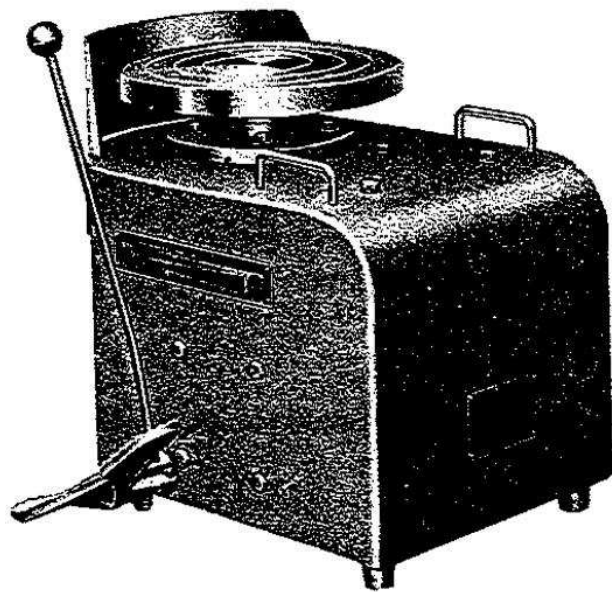


RINGCONE

Potter's Wheel

MODEL RK-2 INSTRUCTION MANUAL

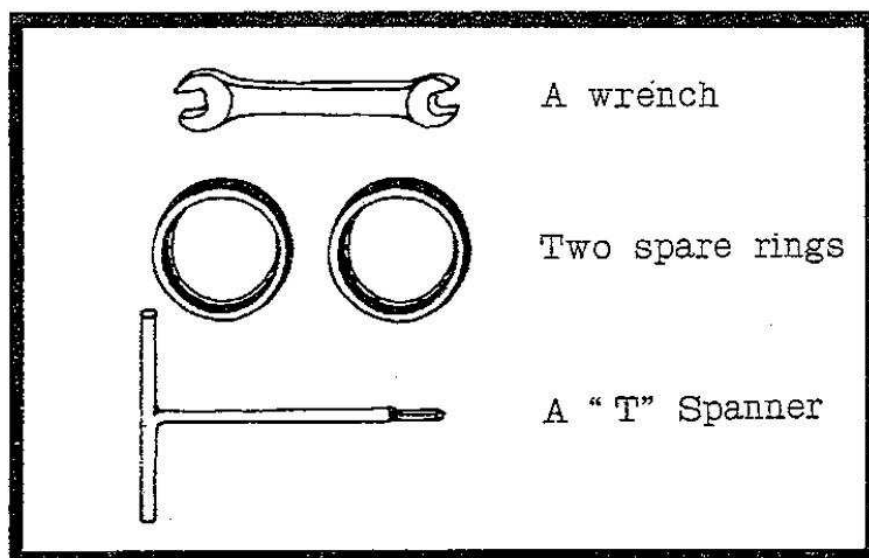


SHIMPO INDUSTRIAL CO., LTD.

We are pleased you purchased a SHIMPO RK-2. It is a product of Japan, a potter's country of long tradition. We feel that the wheel will meet all your expectations and that you will spend many enjoyable hours throwing on your RK-2.

To assure that you get the maximum use and service out of your RK-2 we strongly urge you of carefully read this manual. It has been prepared to give you the information needed to set the wheel up and perform whatever simple maintenance or adjustments that may be required.

WITH THE WHEEL YOU SHOULD HAVE RECEIVED



A wrench

Two spare rings

A "T" Spanner

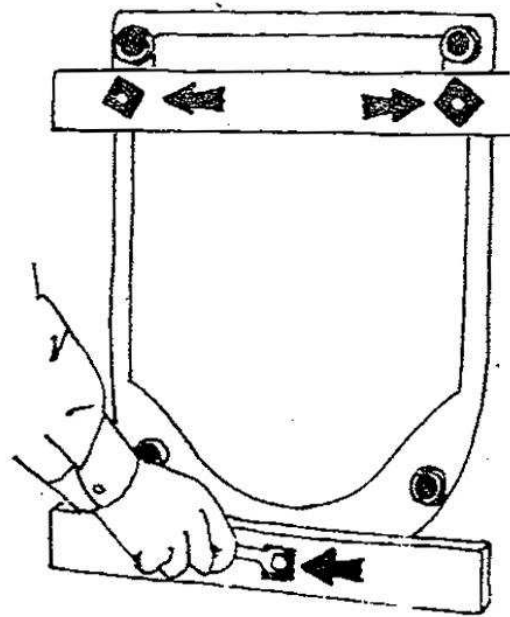
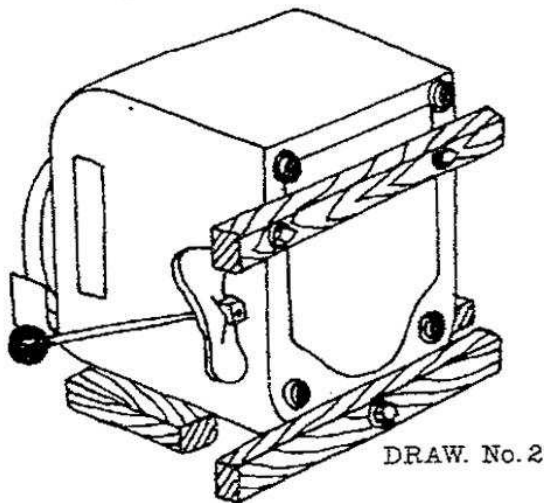
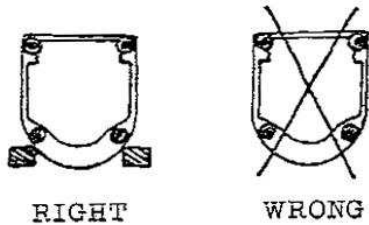
DRAW. No.1

UNCRATING

Shimpo wheels have been crated to protect them against possible shipping damage. We feel it is less annoying for someone to spend a few minutes uncrating the wheel than it is to have a customer receive a damaged RK-2. If the wheel you have received is still crated, we suggest

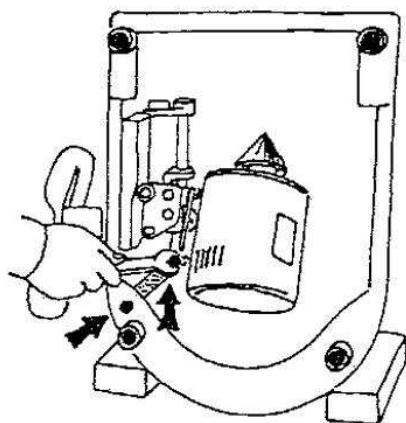
you follow the procedure outlined below. It is only suggested that you get someone to help you. The RK-2 is not light, and crated it is not only heavy but awkward to handle. You will need a claw hammer, a small cold chisel, and a wrench or two.

- 1 Cut through the steel bands and the metal corner braces on the top of the crate.
- 2 Pry the wooden side bars away and pull out the nails.
- 3 Left off the top (Extra parts, a copy of the instruction manual and the warranty card are attached to the inside of the top. Do not mistakenly throw these away!)
- 4 Hammer the sides of the crate out to remove the wooden braces crossing over the top of the wheel.
- 5 Lay the crate on its side and remove the bolts that wheel in the crate. If the bolts turn with the nut, use another wrench to hold the head of the bolt on the inside.
- 6 Carefully pull the wheel out of the remains of the crate.
- 7 Two wooden boards will still be attached to the bottom of the wheel. Set the wheel on end as illustrated (Draw. No.2) and remove the 3 bolts Draw. No.3



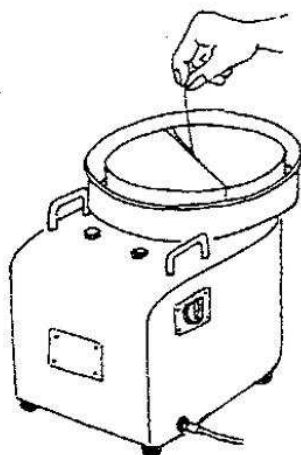
SETTING UP

To prevent the motor from possible damage during transit, it has been bolted to the side of the wheel. Set the position shown in Draw. No. 2 and remove the two red bolts and the steel bar (Draw. No. 4). Keep these parts for future use. Whenever transporting the wheel, the motor should be re-secured.



DRAW. No. 4

The wheel-head has been coated with a special plastic. To remove this, pull off the string across the running middle of the wheel-head (Draw. No. 5) and peel away the plastic.



DRAW. No. 5

YOUR WHEEL IS NOW READY TO
USE

WHILE USING

Always remember, to change turning direction place petal in "Stop" position and turn the wheel off. WAIT TILL THE MOTOR HAS COMPLETELY STOPPED ROTATING BEFORE TURNING THE SWITCH ON FOR THE OPPOSITE DIRECTION. Turning the switch for the other direction while the motor is still turning will not only not change the direction but done repeatedly can damage the motor!

WHEN NOT IN USE

Always turn the wheel off. Although the petal may be in the "Stop" location, the motor will still be running.

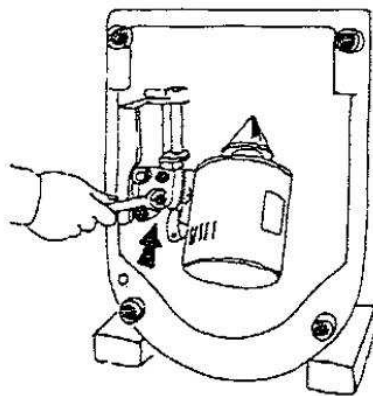
Never leave the petal in any position but "Stop" when the motor's off. The pressure of the steel cone on the rubber ring will create a temporary indentation that will cause a rumbling sound when the wheel is turned on. If this does accure, both the sound and the imprint will work themselves out in a few moments.

*** WHEN REPLACING AN INTERIOR PART OR ADJUSTING, ALWAYS SET THE WHEEL ON END AS IN DRAW. NO.2**

POWER ADJUSTMENT

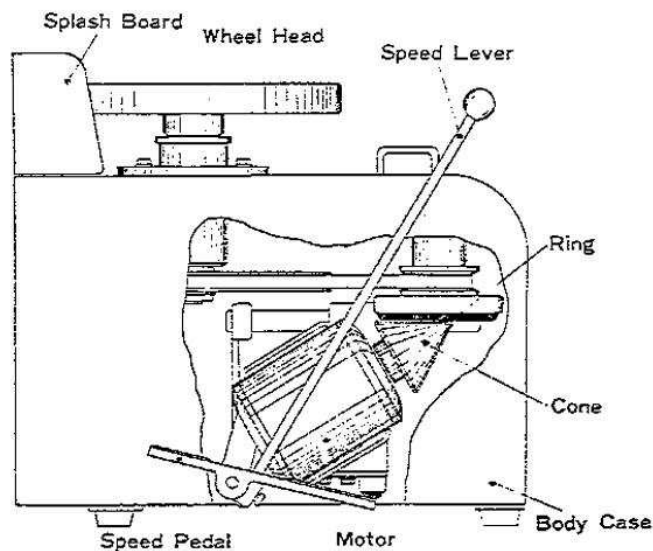
Power may be increased or decreased by adjusting the pressure between the ring and the cone on the Ringcone Drive System. To do this:

- ① With the wrench provided with the wheel, loosen the three bolts illustrated in Draw. No. 6.
- ② Slide the casting and motor on the shaft (move it towards the petal to increase power and away in decrease power). If you move the unit too far up, it will tighten the pressure between the cone and ring to a point where the variable speed control will not work. Make slight adjustments instead of one complete move.
- ③ Retighten the three bolts.



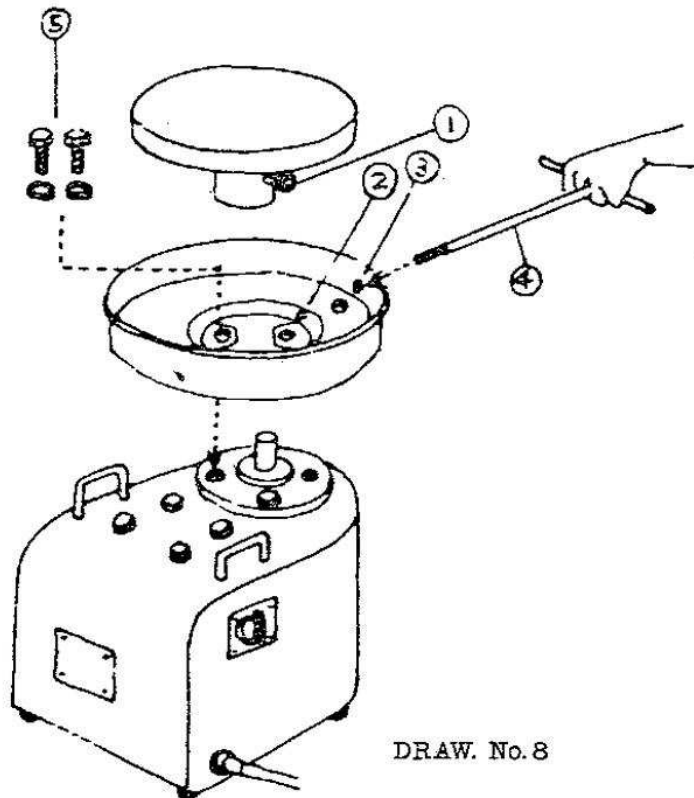
DRAW. No. 6

Name of Structural and Main Parts



REMOVING THE SPLASH PAN

- ① Remove the rubber plugs in holes 2 and 3 (Draw. No.8).
- ② Turn the wheel-head till the socket bolt (1) lines up with the holes.
- ③ Push the "T" spanner (4) through the holes and into the socket bolt. Loosen the bolt.
- ④ Pull off the wheel-head.
- ⑤ With the wrench included with the wheel, remove the 2 bolts (5) that hold the splash pan and left it off.



 **SMIMPO INDUSTRIAL CO., LTD.**

338 Tonoshiro-cho, Kuze, Minami-ku, Kyoto, Japan
Phone: Kyoto <075> 921-7151, Cable "SHIMPO KYOTO"

PRINTED IN JAPAN
S 700901000