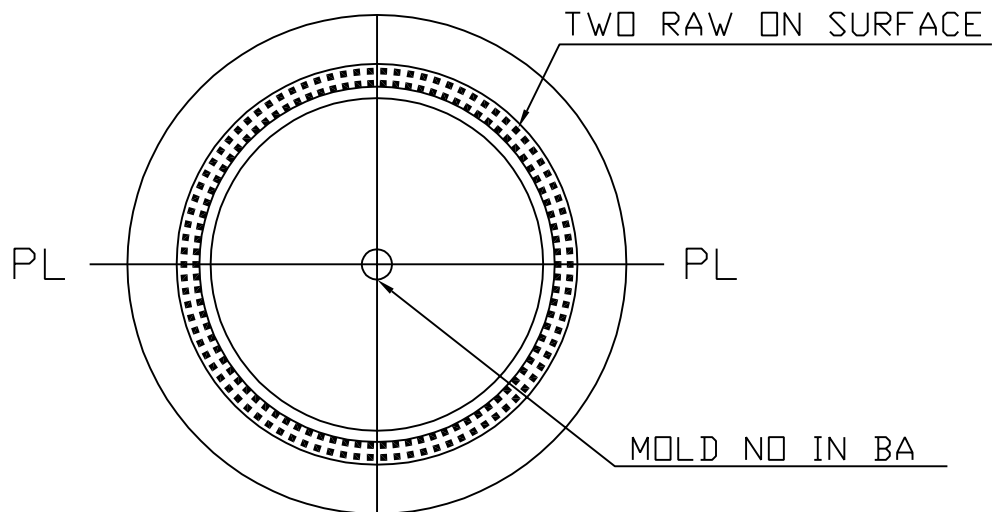
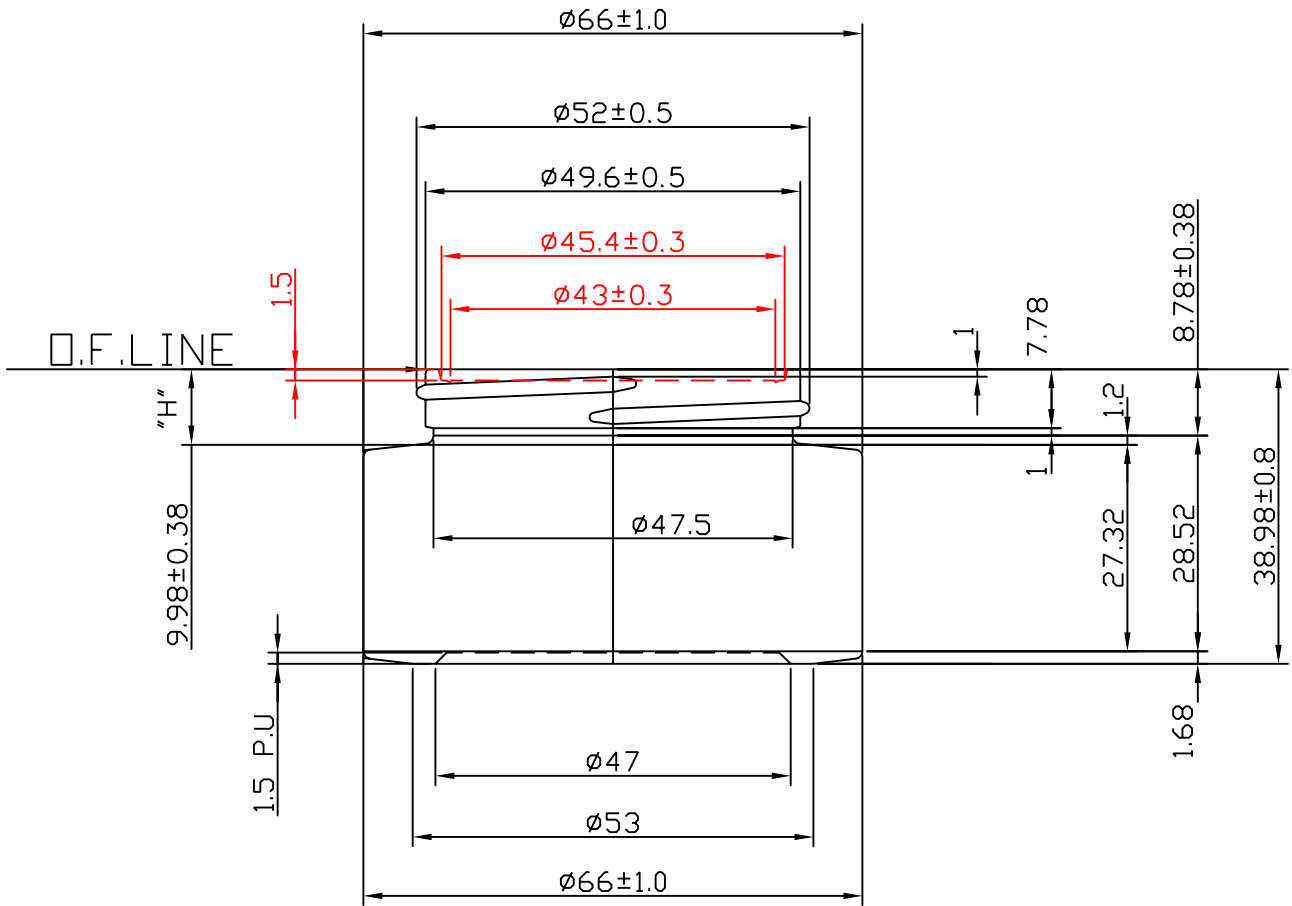


2 QZ

|                |
|----------------|
| PITCH: 4.23 MM |
| WIDTH: 2.0 MM  |
| TURNS: 1       |
| GCM: 53-400    |

WEIGHT 117.0±7.5 GRAMS  
CAPACITY OF 68.0±3.0 ML  
MATERIAL GLASS

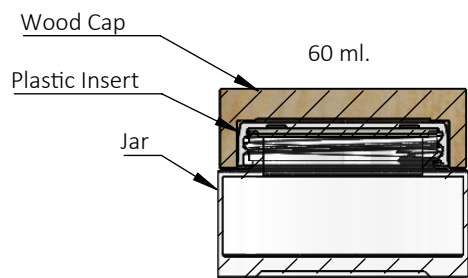
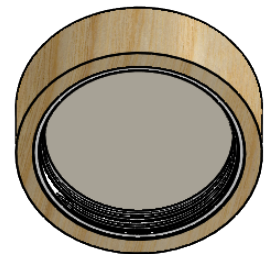
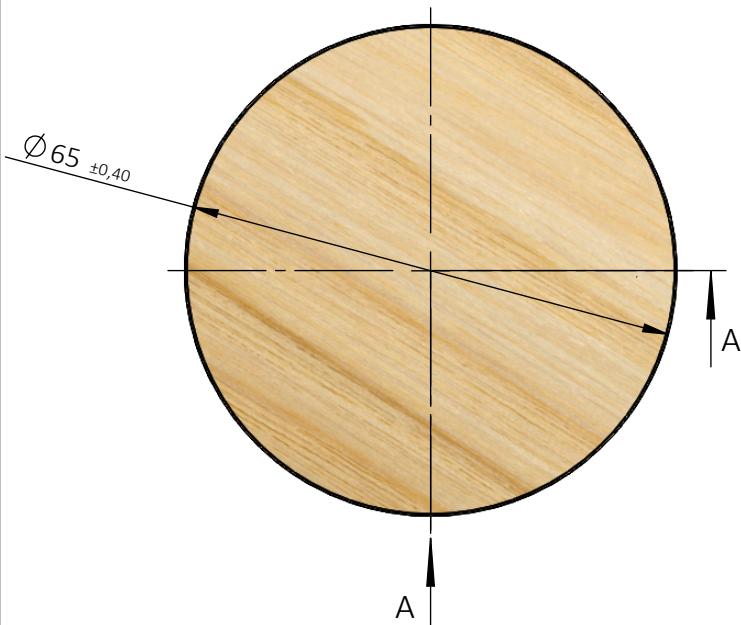
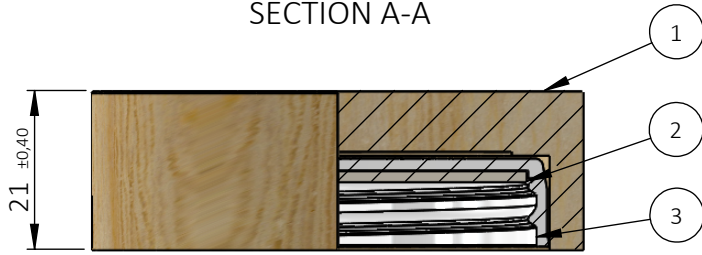


|                                 |                 |
|---------------------------------|-----------------|
| PRODUCT CODE : KIT060JARW1      |                 |
| DIMENSIONS: 66MM (d) X 51MM (h) | MATERIAL: GLASS |
| COLOR : FROSTED                 | CAPACITY : 60ML |
| DOC TYPE: TECHNICAL DRAWING     | DATE: 3/1/19    |

These drawings and specifications are the property of Instockpack and shall not be copied, reproduced, or used in any manner without the prior consent of Instockpack.



SECTION A-A



|  |                        |
|--|------------------------|
| PRODUCT : OVER CAP   |                        |
| DIMENSIONS: 65MM (d) X 21MM (h)  | COLOR: RAW ASH         |
| MATERIAL: WOOD   | CLOSURE TYPE: SCREW ON |
| DOC TYPE: TECHNICAL DRAWING  | DATE: 3/1/19           |
| These drawings and specifications are the property of Instockpack and shall not be copied, reproduced, or used in any manner without the prior consent of Instockpack. |                        |

