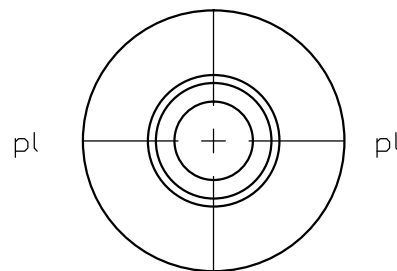
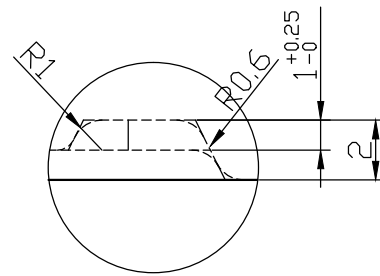
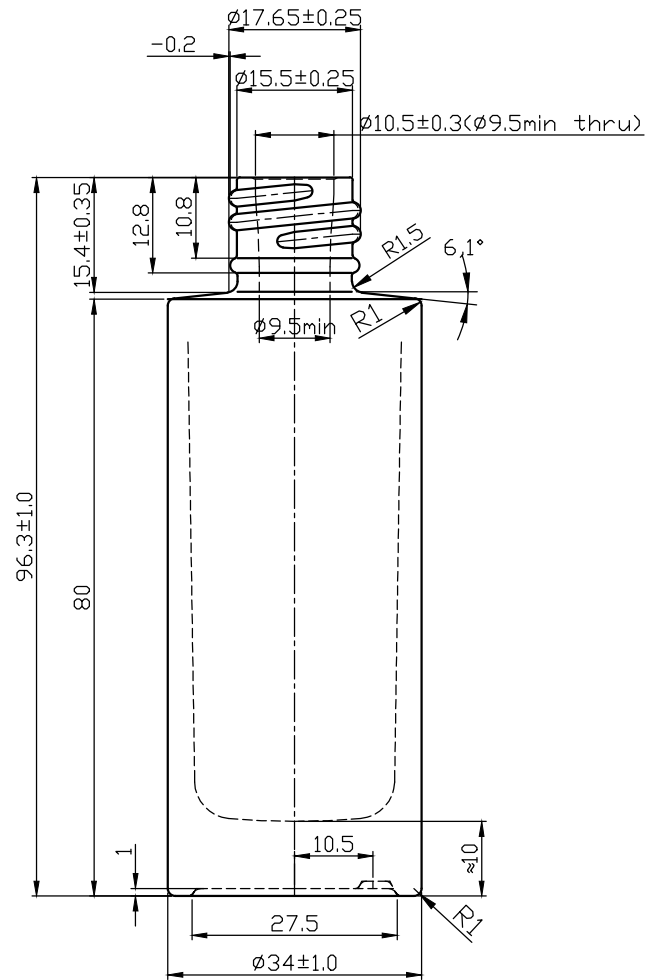


3.175
2.19
15.4 ± 0.35



37 ± 2 ml
95 ± 5 g

PRODUCT CODE: KIT030LQFFGD

DIMENSIONS: 34MM (w) X 124.7MM (h)

DOC TYPE: TECHNICAL DRAWING

MATERIAL: GLASS

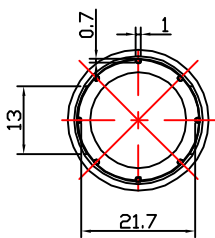
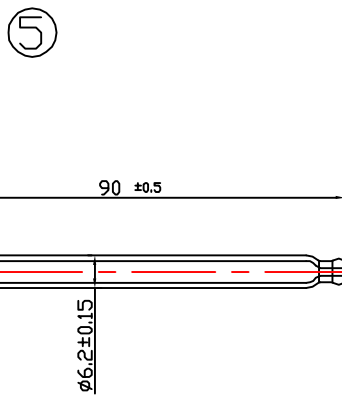
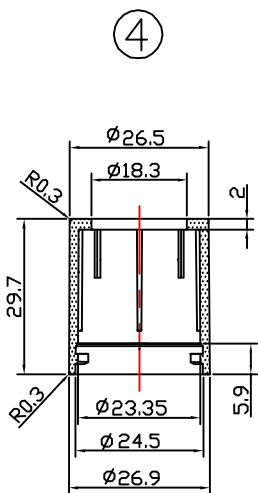
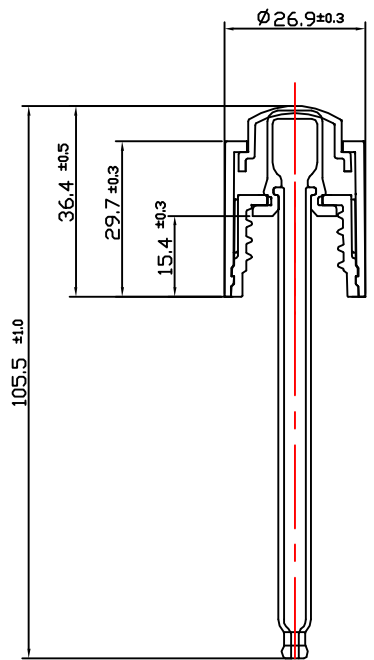
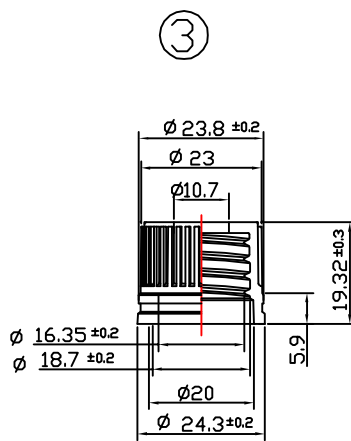
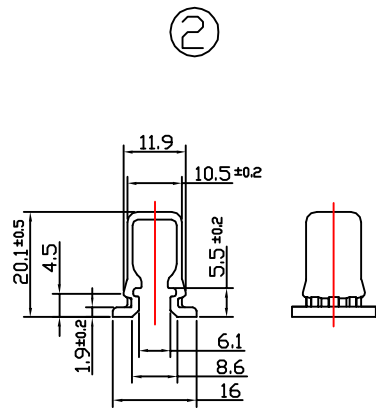
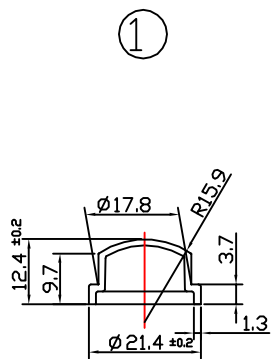
CAPACITY: 30ML

COLOR: FROSTED

DATE: 2/22/19

These drawings and specifications are the property of Instockpack and shall not be copied, reproduced, or used in any manner without the prior consent of Instockpack.

instockpack.



NO	Part Name	Material	Grade #
1	Button	ABS	LG HF380-09705
2	Rubber Teat	SILICON/NBR	SRBB-6640-40 W6840
3	Inner Hole Cap	PP	J150
4	Outer Hole Cap	ABS	LG HF380-09705
4	Pipette	glass	

PRODUCT CODE: DROPPER 30ml

SCALE: 1:1

PRODUCT: DROPPER

DATE: 2/22/19

DOC TYPE: TECHNICAL DRAWING

REVISION: R1

These drawings and specifications are the property of Instockpack and shall not be copied, reproduced, or used in any manner without the prior consent of Instockpack.

