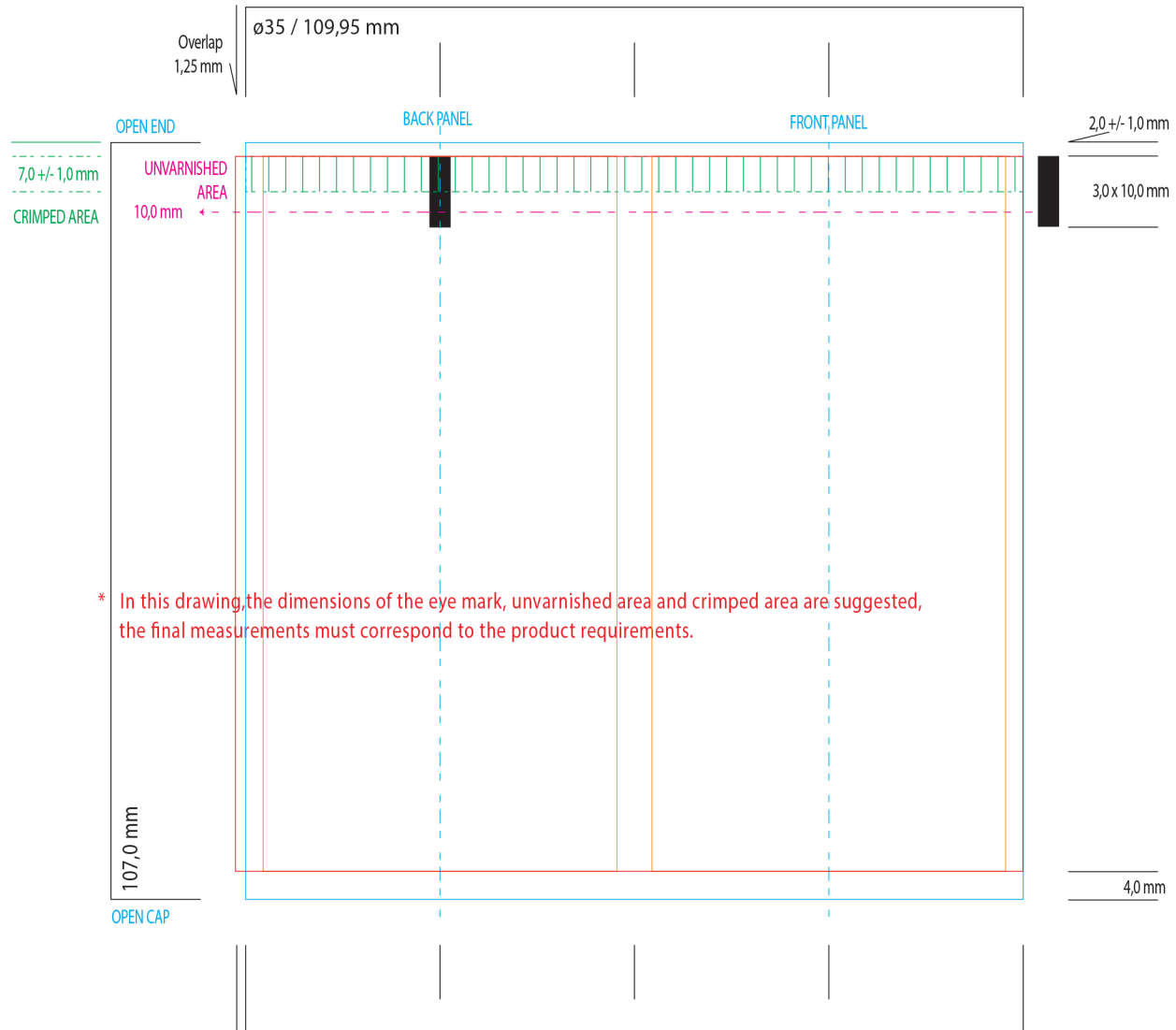


Die line ø35



- Die (tube)
- Maximum print area (backgrounds)
- Maximum art area for panel (suggested)
- - - Unvarnished area
- - - - - Crimped area (It corresponds to the filling and sealing processes in accordance to own specifications)

PRODUCT CODE: EHST060WG

DESCRIPTION: 60ml White Tube - Sugar Cane / Green

DOC TYPE: DIE LINE

GENERAL INSTRUCTIONS:

Please include a PDF, list of colors, and convert text to outlines when submitting.

DATE: 12/6/19

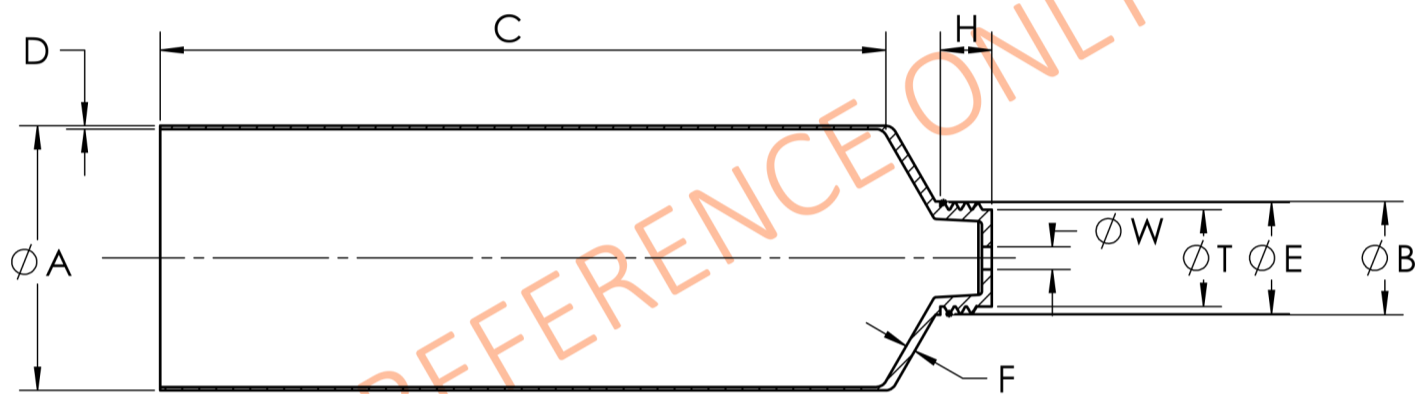
REVISION: R1

SCALE: 1:1

These drawings and specifications are the property of Instockpack and shall not be copied, reproduced, or used in any manner without the prior consent of Instockpack.



Ø35 M15 ORIFICE Ø1, Ø3, Ø5 Y Ø8



FOR REFERENCE ONLY

ØA	ØB	C	D	F	H	ØW	ØE	ØT	THREAD
35.04 ± 0.2	15.0 ± 0.2	MIN.75/MAX.175 ± 1.0	0.45 ± 0.03	1.4 ± 0.2	6.8 ± 0.2	Ø3, Ø5 Y Ø8 ± 0.3	14.7 ± 0.2	12.8 ± 0.2	1.5

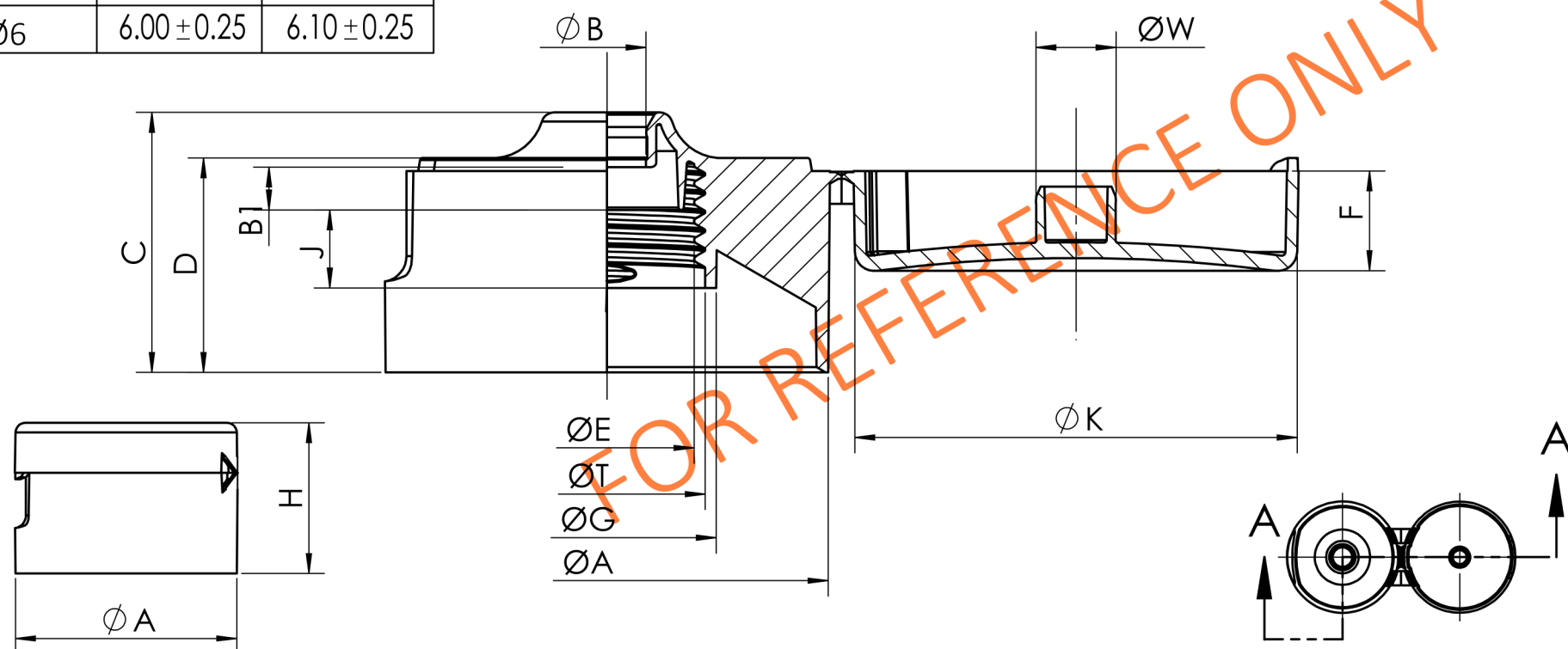
PRODUCT CODE: EHST060WG		
DESCRIPTION: 60ml White Tube - Sugar Cane / Green		
DOC TYPE: TECHNICAL DRAWING		
DATE: 12/6/19	REVISION: R1	SCALE: 1:1



These drawings and specifications are the property of Instockpack and shall not be copied, reproduced, or used in any manner without the prior consent of Instockpack.

FLIP-TOP Ø35 M15 FOR ORIFICE 3 Y 6 POLYPROPYLENE

ORIFICE	ØB	ØW
Ø3	3.00 ± 0.25	3.00 ± 0.25
Ø6	6.00 ± 0.25	6.10 ± 0.25



FOR REFERENCE ONLY

ØA	C	D	F	ØG	H	ØK	ØE	ØT	J	B1
34.15 ± 0.25	19.95 ± 0.25	16.50 ± 0.25	7.70 ± 0.25	16.85 ± 0.25	23.20 ± 0.25	34.15 ± 0.25	13.45 ± 0.25	15.27 ± 0.25	5.95 ± 0.25	5.45 ± 0.25

PRODUCT CODE: EHST060WG-CAP

DESCRIPTION: Flip-Top Cap for 60ml Sugar Cane / Green

DOC TYPE: TECHNICAL DRAWING

DATE: 12/6/19

REVISION: R1

SCALE: 1:1

These drawings and specifications are the property of Instockpack and shall not be copied, reproduced, or used in any manner without the prior consent of Instockpack.

