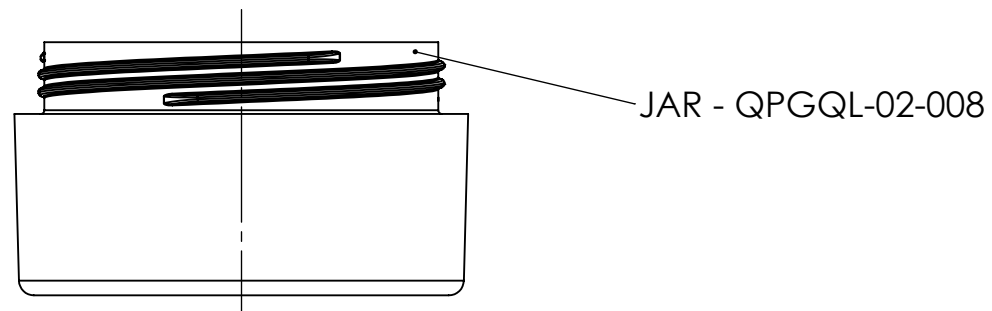
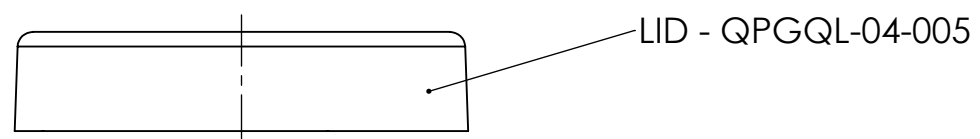


Scale 1:1



COMERCIAL DRAWING

PRODUCT CODE: EHST050BIOJ

DESCRIPTION: 50ml Bio Jar (OFC:55 ± 1ml )

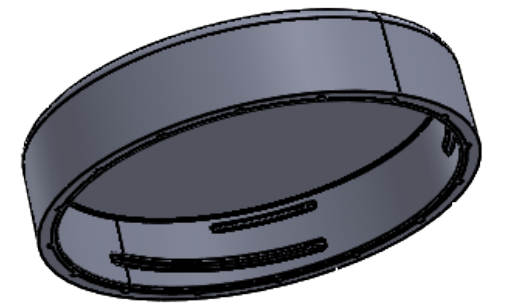
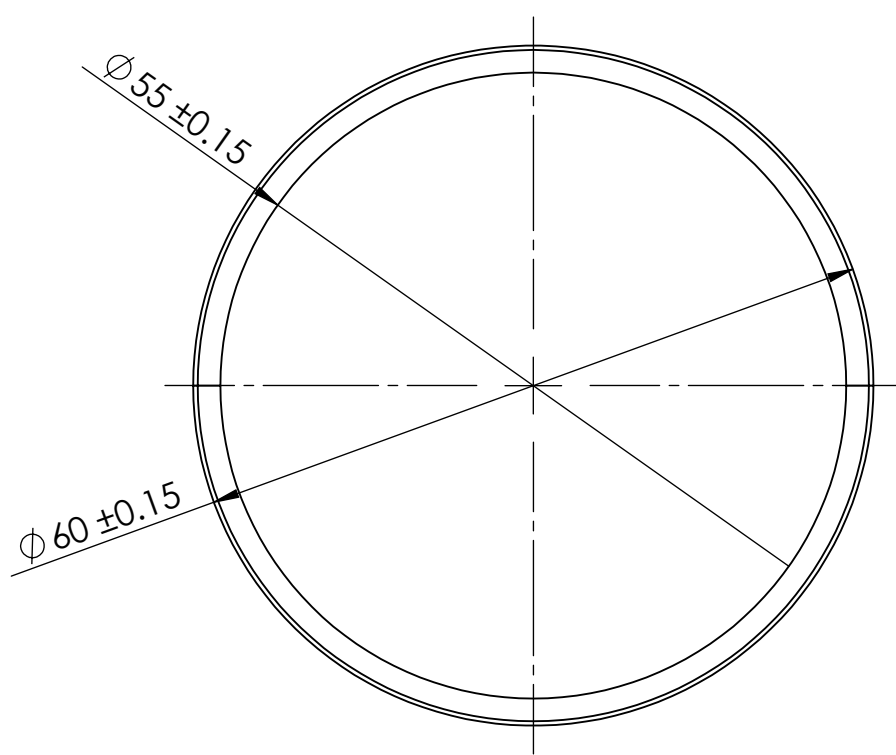
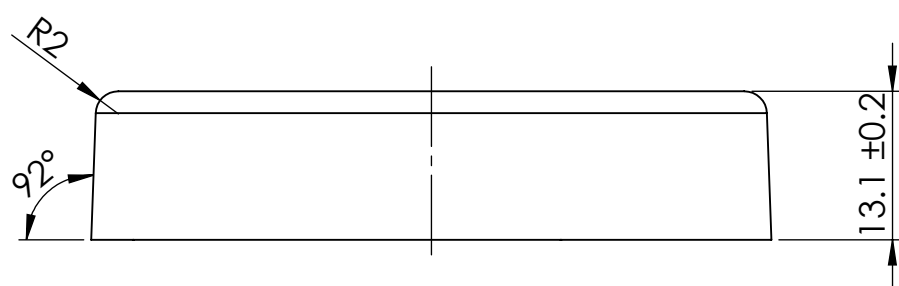
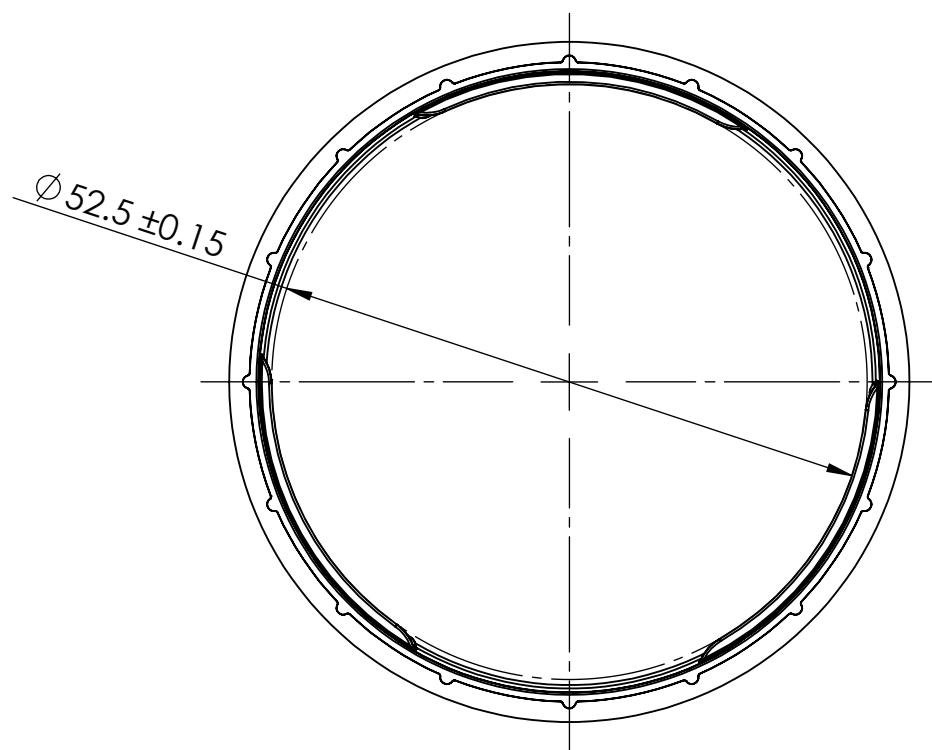
DOC TYPE: TECHNICAL DRAWING

DATE: 1/29/21

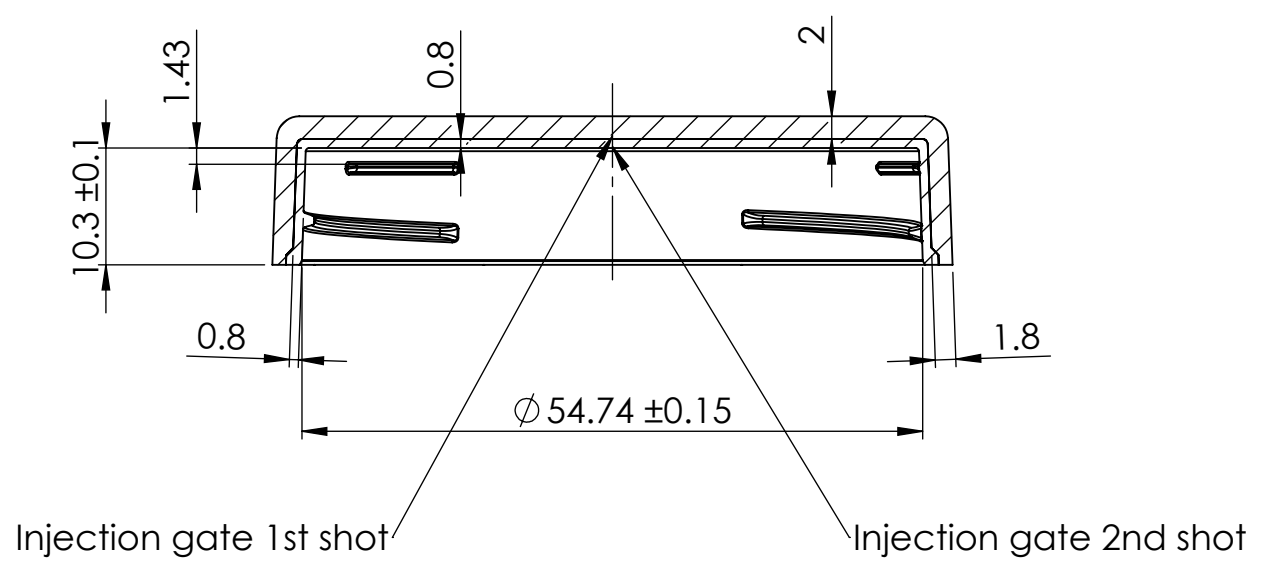
REVISION: R1

SCALE: 1:1

These drawings and specifications are the property of Instockpack and shall not be copied, reproduced, or used in any manner without the prior consent of Instockpack.



Scale 1:1



COMERCIAL DRAWING

PRODUCT CODE: EHST050BIOJ CAP

DESCRIPTION: 50ml Bio Jar Cap

DOC TYPE: TECHNICAL DRAWING

DATE: 1/29/21

REVISION: R1

SCALE: 1:1

These drawings and specifications are the property of Instockpack and shall not be copied, reproduced, or used in any manner without the prior consent of Instockpack.

instockpack.