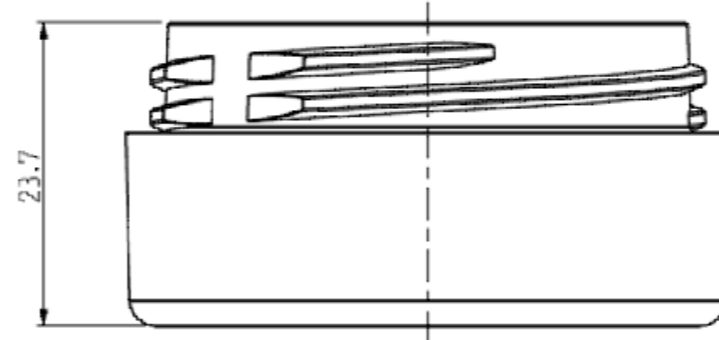


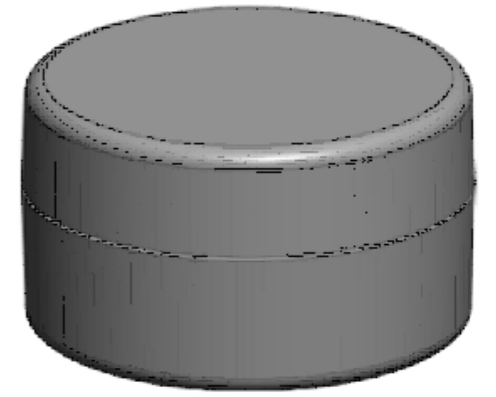
LID - QPGQL-04-006



LINER - QPGQL-06-003



JAR - QPGQL-0



3:2

PRODUCT CODE: EHST015BIOJ

DESCRIPTION: 15ml Bio Jar (OFC: 17ml \pm 1ml)

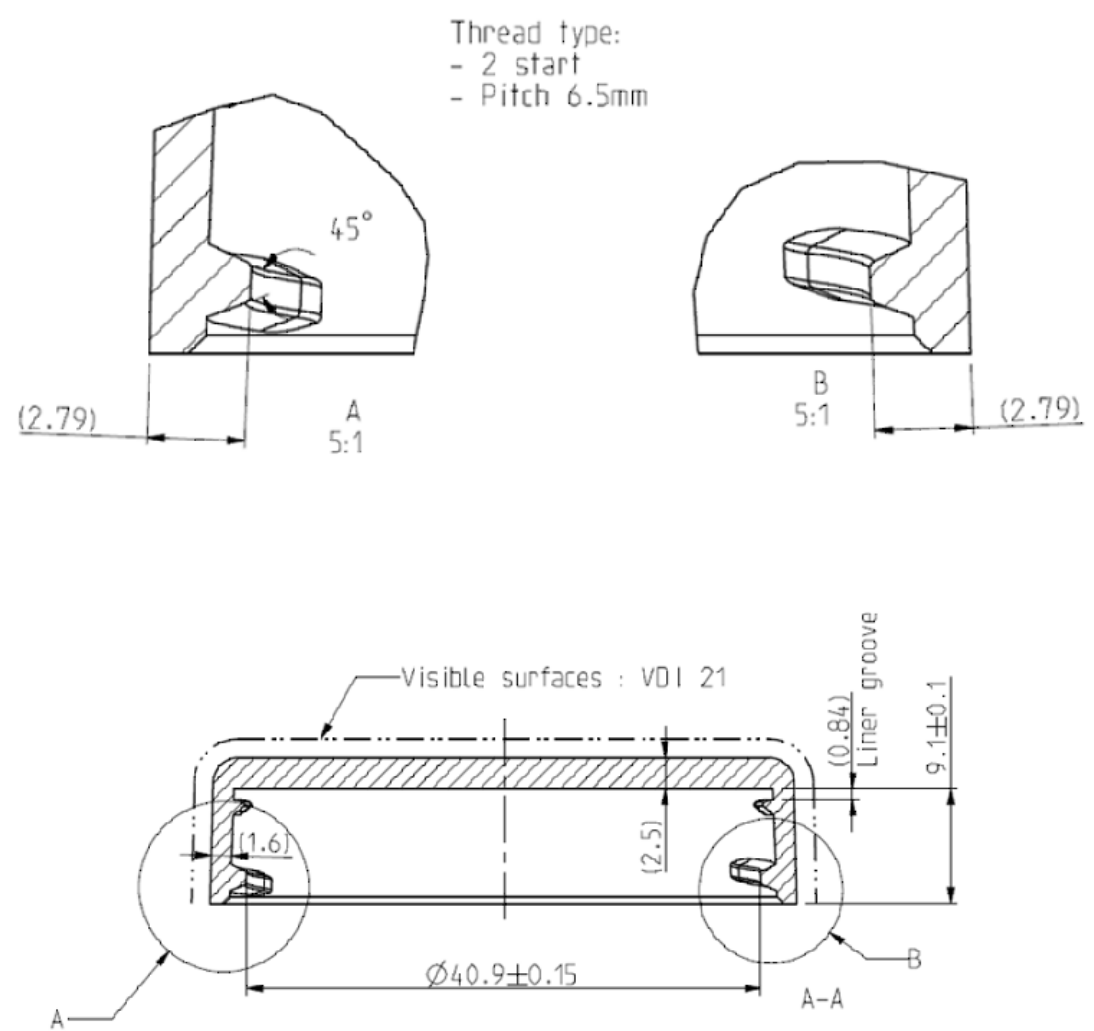
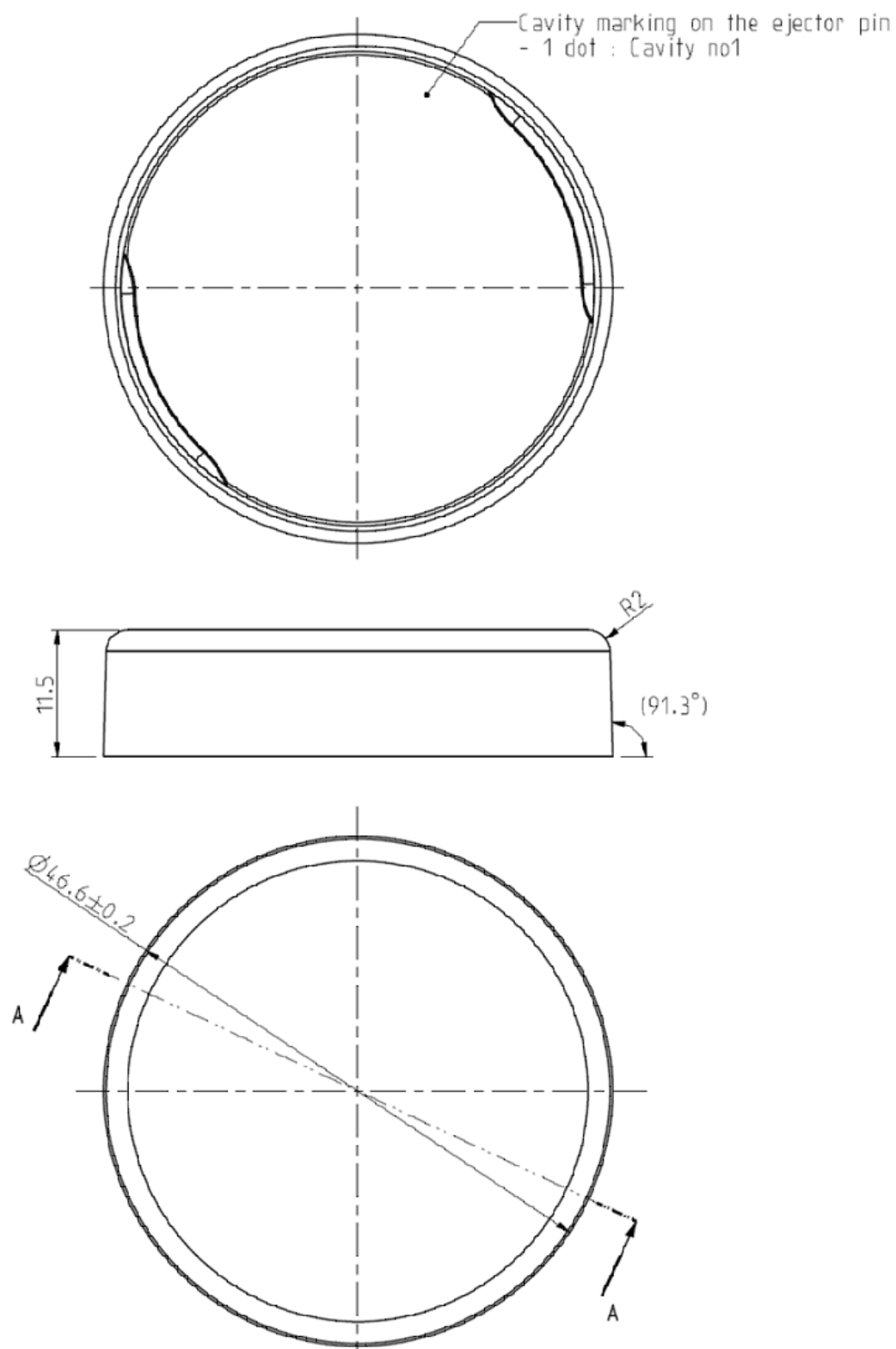
DOC TYPE: TECHNICAL DRAWING

DATE: 1/29/21

REVISION: R1

SCALE: 1:1

These drawings and specifications are the property of Instockpack and shall not be copied, reproduced, or used in any manner without the prior consent of Instockpack.



PRODUCT CODE: EHST015BIOJ CAP

DESCRIPTION: 15ml Bio Jar Cap

DOC TYPE: TECHNICAL DRAWING

DATE: 1/29/21

REVISION: R1

SCALE: 1:1

These drawings and specifications are the property of Instockpack and shall not be copied, reproduced, or used in any manner without the prior consent of Instockpack.

instockpack.