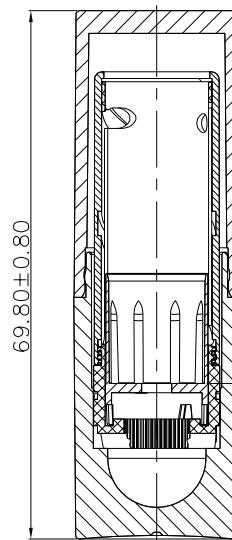
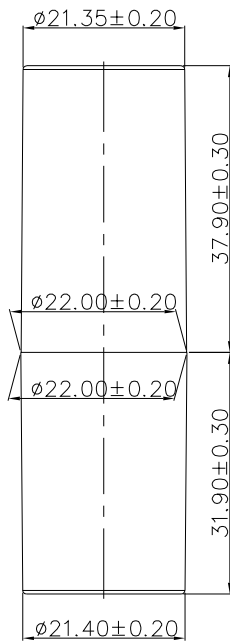
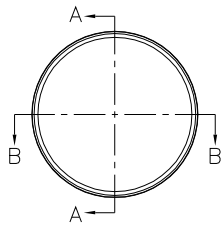
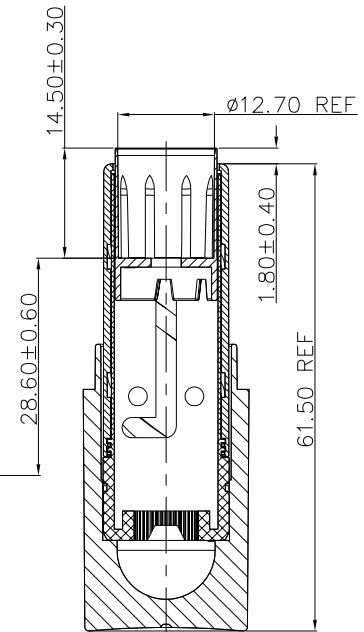


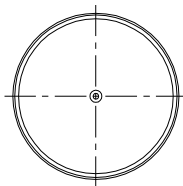
SCALE 1/2



SECTION A-A



SECTION B-B



Part	Parts Name	Material	Weight
5	INNER BODY	HIPS+PS	1.6g
4	ELEVATOR	POM	1.0g
3	SPIRAL	ABS	1.6g
2	BASE	ABS/AS	7.0g
1	CAP	ABS/AS	5.0g

G.T: $16.2 \pm 1.5g$

GEL.TOL: ± 0.25

PRODUCT CODE: EHST0001MULS

SCALE: 1:1

PRODUCT: LIPSTICK

DATE: 9/17/19

DOC TYPE: TECHNICAL DRAWING

REVISION: R2

These drawings and specifications are the property of Instockpack and shall not be copied, reproduced, or used in any manner without the prior consent of Instockpack.

