

## Stock Tubes: Proudly PCR Plastic

At Instockpack, as a B Corp company, we are committed to sustainable packaging solutions. Our stock tubes are now composed of PCR (post-consumer recycled) plastic, which gives a second life to plastic materials and helps reduce carbon footprint.

### Layers Specification:

1. Inner Layer: Virgin PE to maximize compatibility and sealing performance.
2. Middle Layer: EVOH, a barrier that helps preserve your formula's integrity.
3. Outer Layer & Tube Head: Mix of virgin and recycled PE.
4. Cap: Virgin PP (polypropylene)



Certification & Quality Assurance  
Certified FDA PCR raw materials.

Performance / Sealing  
The inner layer are made of virgin PE to maintain same sealing parameter.

- Advantages for Your Brand
1. No compromise on performance and compatibility
  2. Environmentally-friendly packaging solution
  3. Compliance with growing sustainability demands from consumers and regulators

Inherent to PCR Process  
The use of PCR plastic (FDA approved) may sometimes lead to the appearance of small black dots on our tubes. This is attributed to the presence of black plastic granulate in the recycled material. Despite our best efforts to minimize this, it can sometimes occur due to the current recycling stream.



# PRODUCT DATA SHEET

June 2023

**instockpack.**

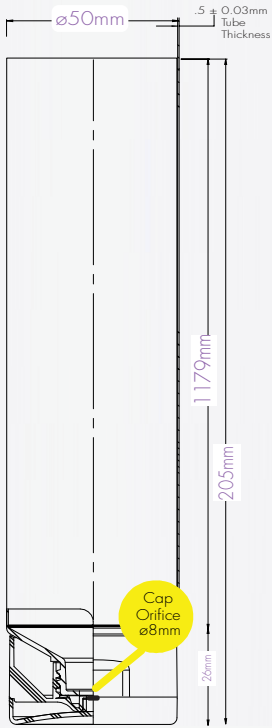
**Beauty Packaging**  
at your fingertips.

instockpack.com

**PACK CODE**  
**PACK TYPE**  
**CATEGORY**

8oz White Tube  
Tubes  
Skincare

DESCRIPTION	8oz White Glossy Stock Tube Option to Custom Order
BENEFITS	Formula protection (EVOH Barrier) 25% PCR (tube sleeve + head) Easy Bottom Fill & Seal Glossy Varnish - Easy To Apply Decoration
APPLICATIONS	Hair Care, Body Care, Skin Care, Sun Care



\*Drawing scale not 1:1



## TECHNICAL SPECIFICATIONS

### GENERAL INFORMATION

#### DIMENSIONS

Tube Height (Stock)	117mm
Total Height (Stock)	205mm
Diameter	50mm
Sleeve Thickness	0.45 +/- 0.03
Head Scew	Yes
Cap Orifice	8mm

### MANUFACTURING & PACKING

#### PRODUCTION & SHIPPING

Lead time (Stock)	2-3 days
MOQ Instockpack	1 case
FOB	Dallas, TX

#### PACKING SPECS

CTN SIZE	QTY/CTN
155XW40XH48CM	160
G.W. (KG)	N.W. (KG)
5.822	4.197

#### MATERIALS

Cap	Virgin PP
Head	40% PCR PE
Top Seal	PE/AL
Tube	5-Layer CO-EX EVOH
Inner Layer	Virgin PE
Outer Layer	45% PCR PE
Tube 5-Layer	(LDPE)

#### SEALING RECOMMENDATION

- Temperature range: 300° - 450°C
- Speed: 35-50 tubes per minute.
- Air pressure: 0.5 bar

\*Conditions may vary depending on the machine model.

#### CAPACITY

Declared	8oz
----------	-----

#### DECO OPTIONS

- Tube
- Silk Screen
  - Hot Stamping
  - Labeling
  - Heat Transfer

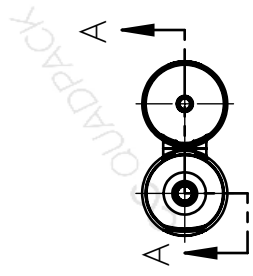
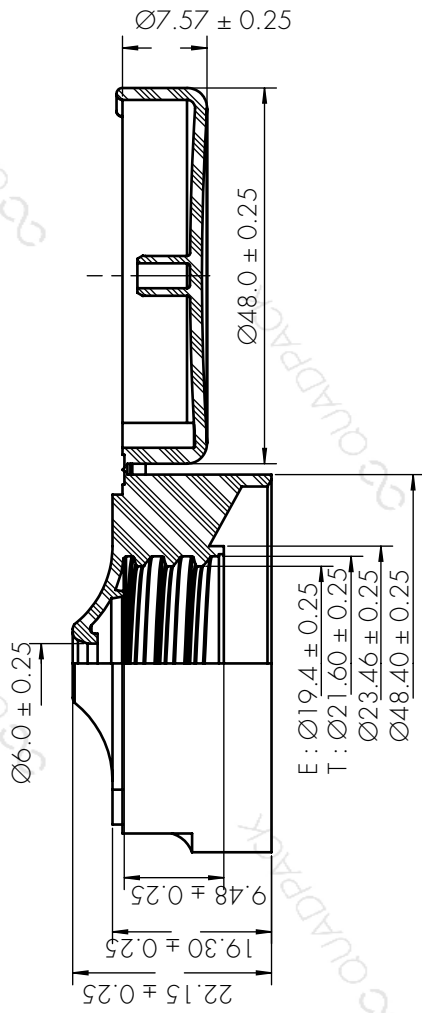
# PRODUCT DATA SHEET

June 2023

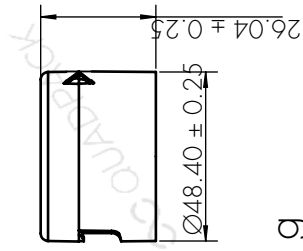


Beauty Packaging  
at your fingertips.

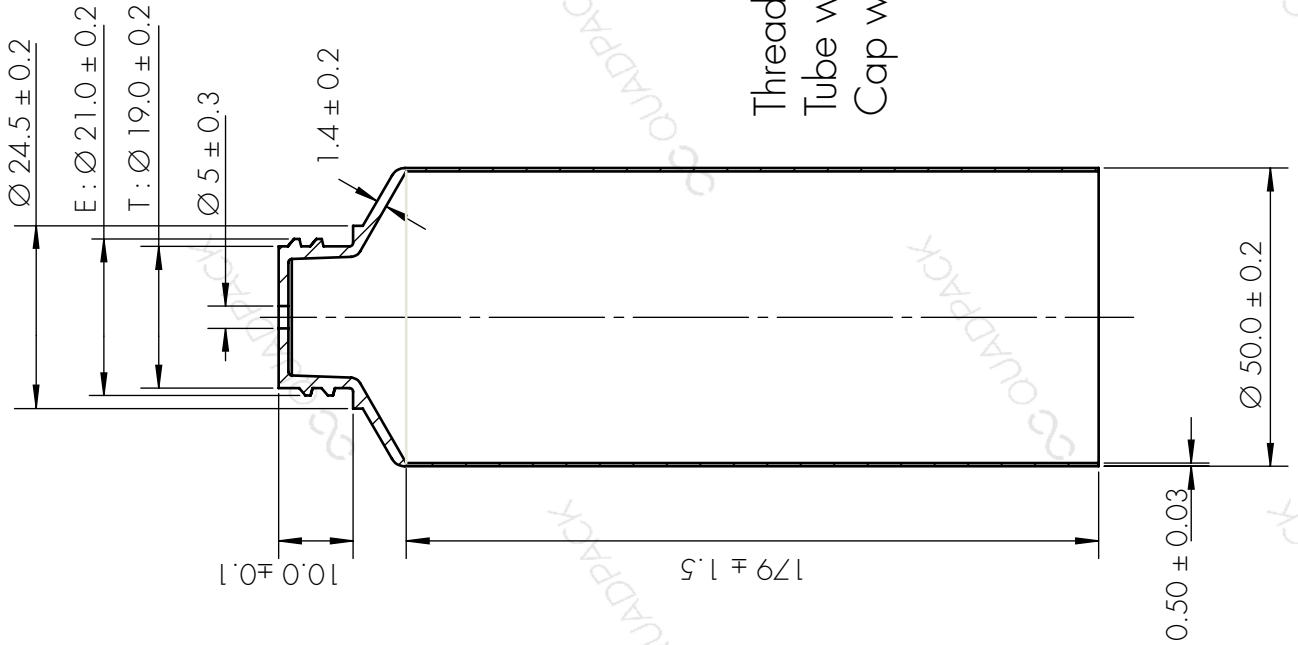
instockpack.com



SECTION A-A



Thread Pitch : 3.0  
Tube weight : 17.17 ± 1 g  
Cap weight : 9.13 ± 0.5 g



\*DRAWING NOT TO SCALE