

the ONDA SHELF

designed by Julia Jessen | 2019



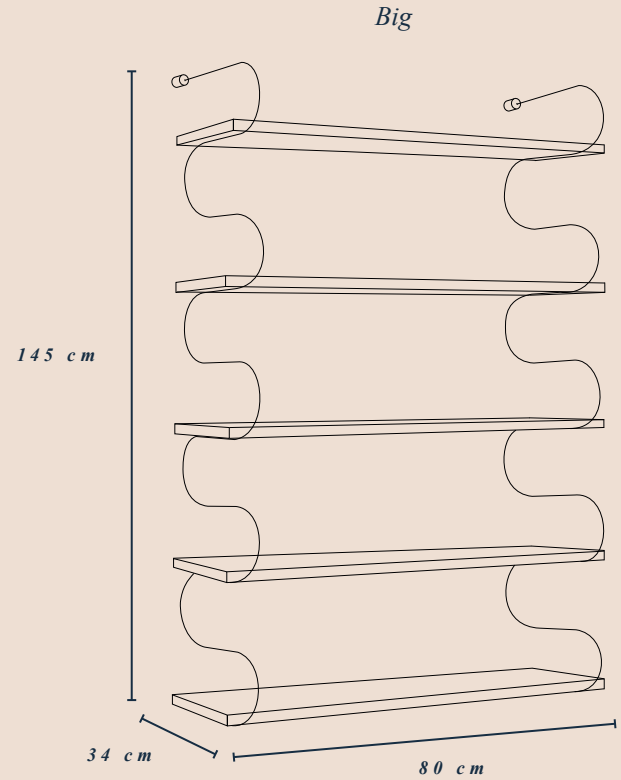
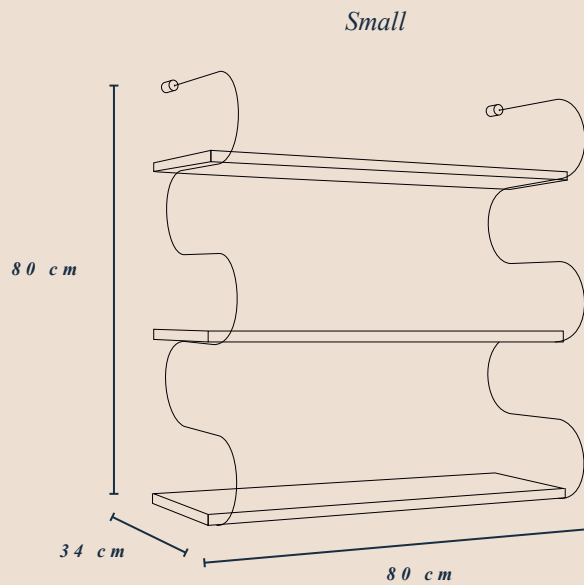
Onda with oak wood and chrome bended steel

Onda is a modular shelving system that elegantly joins form and function. With its rounded metal fixture it brings a sense of boldness and exalts the beauty of curved lines and soft contours at the same time, bringing an unexpected feminine edge to the material.

The shelves are made of oak wood and come in two different lengths. By a small milling on the bottom they can be easily placed on the black lacquered or chrome-coated frame. Thus the shelves can be individually combined with the wall panels coming in two different heights and used for countless purposes.

**SCHNEID
STUDIO**

the ONDA SHELF



PRODUCTION PROCESS

The Onda Shelf is manufactured from a local workshop in Germany.

TYPE | ENVIRONMENT

Shelf | indoor

DIMENSIONS

Small | 80 cm x 80 cm x 34 cm
Big | 145 cm x 80 cm x 34 cm

WEIGHT

Small | 11 kg
Big | 18 kg



MATERIAL

Oak wood

COLOR

Natural wood

FINISH

Natural

METAL FIXTURE



Chrome



Black

the ONDA SHELF

MAINTENANCE

Remove dust with a feather duster.
Stains can be removed with a moistened cloth.