

the EIKON BASIC

designed by Julia Jessen & Niklas Jessen | 2013



Eikon Basic „Amber, Poppy Red and Wax“ with oak wood

Eikon Basic is a minimalist lamp made of certified wood and a coloured metal lampshade. The wooden base and the coloured shade are a perfect match for many home and interior design applications.

The light has a clean line that gives it a pure and contemporary look with a subtle reminder of the industrial age. The magnetic connecting system allows the lampshade to be easily changed for another color or shape of the Eikon collection.

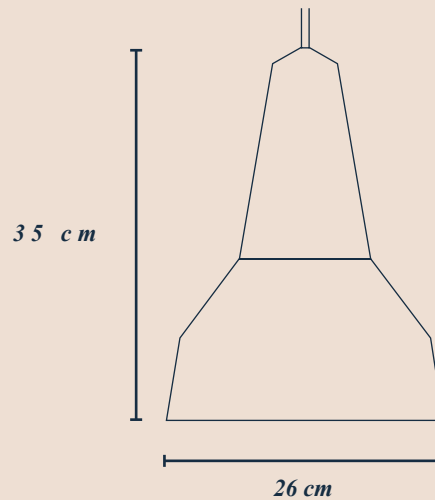
the EIKON BASIC

DIMENSIONS

26 cm x 35 cm

WEIGHT

2,2 kg



PRODUCTION PROCESSE

Eikon is made of certified wood and produced in Germany.

TYPE | ENVIRONMENT

Pendant lamp | indoor | UL listed

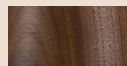
MATERIAL SOCKET



Ash



Oak



Walnut



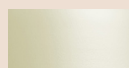
German
Design Award

SPECIAL
MENTION 2015

LAMPESHAD E MATERIAL

Powder coated steel

Colors:



Pistache



Poppy Red



Wax



True Blue



Amber



White

the EIKON BASIC is available in two other shapes (SHELL | CIRCUS).

the EIKON BASIC

CORD

Textile cord | length: 2.5 m

Cream

LIGHT SOURCE & ENERGY EFFICIENCY

E27 | Bulb is not included

Compatible with bulbs of the energy classes: A++ - E

Suggested lightbulb:



LED - 11 W



H - 40 W



I - 60 W

SPECIFICATIONS



VOLTAGE

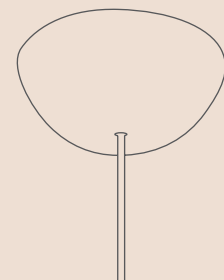
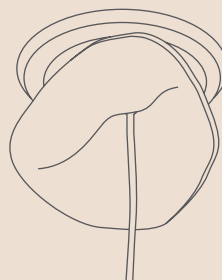
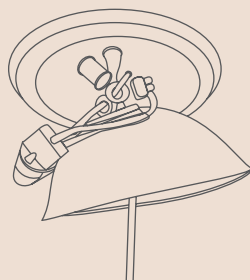
220V - 240V | 50Hz

Other cords (voltage) on request.

CANOPY

Cable Cup covering included | white or black | 15,8 cm x 6 cm

Made out of soft material (PVC). The cup can be easily folded over and fits tight to the ceiling.



MAINTENANCE

Wipe off dust with feather duster. To remove fresh stains wipe with a slightly moist cloth. Always switch off the electricity before cleaning.