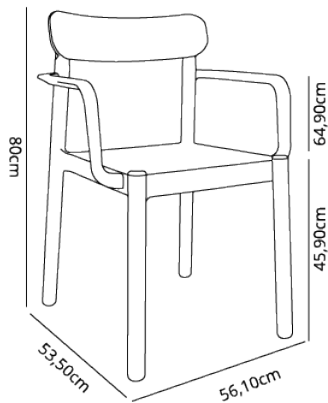


## CHAIRS ELBA

Designed by David Carrasco Barceló

### DESCRIPTION

Stackable, light and resistant, ELBA and DANNA are inspired by the most traditional chairs, where the simplicity of the forms takes center stage, using the minimum amount of material to make them lighter, thus optimizing the use of plastic. The combination of the different backrests complement each other, making the two chairs suitable for both interior and exterior, integrating into the environment, the two chairs being able to coexist at the same time without looking out of context.



### DANNA ARMCHAIR

Armchair for indoor and outdoor use. Injected with PP. Stackable. UV protection. Chair's net weight 3,6 kg (7.93 lb).

### MEASUREMENTS

W 56,1cm x L 53,5cm x H 80cm x Hs 45,98cm x Ha 64,9cm  
W 22.09in x L 21.07in x H 31.5in x Hs 18.11in x Ha 25.56in

### CHARACTERISTICS

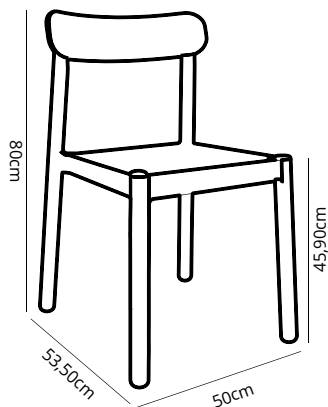
Weight 3,6 Kg.  
Stackable max 8 units

STD units	Packaging dim. (cm)	Units Container 20'	Units Container 40'	Units Container HC	Units Traylor 70m <sup>3</sup>	Units Truck 100m <sup>3</sup>
4x	60.7 x 73.7 x 96.9	260	548	632	652	912
6x	61 x 80 x 110	312	690	786	888	1044
p20	108 x 58 x 220	480	960	960	1080	1160

### CERTIFICATIONS

UNE-EN 16139, UNE-EN 581-2, UNE-EN 581-1

### COLOR



### DANNA CHAIR

Chair for indoor and outdoor use. Injected with PP. Stackable. UV protection. Chair's net weight 3,15 kg (6.94 lb)

### MEASUREMENTS

W 50cm x L 53,5cm x H 80cm x Hs 45,9cm  
W 19.69in x L 21.07in x H 31.5in x Hs 18.08in

### CHARACTERISTICS

Weight 3,15 Kg.  
Stackable max 10 units

STD units	Packaging dim. (cm)	Units Container 20'	Units Container 40'	Units Container HC	Units Traylor 70m <sup>3</sup>	Units Truck 100m <sup>3</sup>
4x	60.7 x 73.7 x 96.9	260	548	632	652	912
6x	61 x 80 x 110	312	690	786	888	1044
p20	108 x 58 x 220	480	960	960	1080	1160

### CERTIFICATIONS

UNE-EN 16139, UNE-EN 581-2, UNE-EN 581-1

### COLOR



W width L length H height Hs seat height Ha Arm height Ø Diameter