

## EIERMANN 1 Table

**M** RICHARD LAMPERT  
**D** EGON EIERMANN, 1953

Unique in its many possible combination and use options, the Eiermann 1 Table is a real classic of furniture design. Egon Eiermann designed the original table frame with its slanted crossbars in 1953. The pared-down construction represents the ideal ratio between use of material and stability. For many years the original version seemed to have disappeared, replaced by a variety of frames that did not match the quality of the original. Then, in 1995, the Eiermann family granted Richard Lampert the sole manufacturing rights for the 1953 original, which is now available again in its original, demountable design. Careful detailing and first-class quality. Pure Eiermann. Exciting and flexible.



### TABLE TOP

L 47.2" x W 31.5"  
 L 55.1" x W 31.5"  
 L 63" x W 31.5" / 32.7" / 35.4"  
 L 70.8" x W 35.4"  
 L 78.7" x W 35.4"

### LEGS

L 43.3" x W 26.0" / 30.7" x H 26"  
 height adjustable (adjustment rods on request)

### TABLE TOP MATERIALS

SOLID OAK smoked, satin lacquer finish  
 5 LAYER PLYWOOD solid spruce / fir, oiled  
 MELAMINE white with white ABS edge / oak edge  
 LINOLEUM FORBO various colors with oak edge  
 LAMINATE various colors with matching colored edge

### LINOLEUM COLORS

NERO BLACK  
 MIDNIGHT BLUE  
 CONIFER GREEN  
 SALSA RED  
 ASH GREY  
 PEBBLE

opposite face:  
 melamine, white  
 edge: oak

### FRAME COLORS

BLACK  
 WHITE  
 SILVER  
 CHROME PLATED  
 BASALT GREY  
 OXIDE RED  
 BRIGHT ORANGE  
 OLIVE GREEN  
 BRONZE  
 COLORLESS





ACCESSORIES



**DRAWER**

SMALL - 13.5" x 13.5" x 1.8"  
LARGE - 18.1" x 13.5" x 1.8"

**BODY**

mdf melamine, white  
FRONT PANEL  
aluminium in frame colours  
chrome plated

**CASTORS**

two of four wheels with brakes  
height +2.8"

PLASTIC for soft floors  
RUBBER for hard floors

**LEVELING**

for uneven floors  
to adjust table heights  
+0.8" to 1.6"

**DESK**

TOTAL W 36.6"  
BOOK REST W 16.9"

SULFUR YELLOW  
CREAM

**CPU-HOLDER**

W 30.7"/26.0" x D 8.7" x H 3.7"

in all table frame colours  
(except chrome / bronze)

**CABLE CHANNEL**

W 43.3" x D 4.7" x H 2.4"

in all table frame colours, chrome or  
bronze

**CABLE CHANNEL WITH SCREEN**

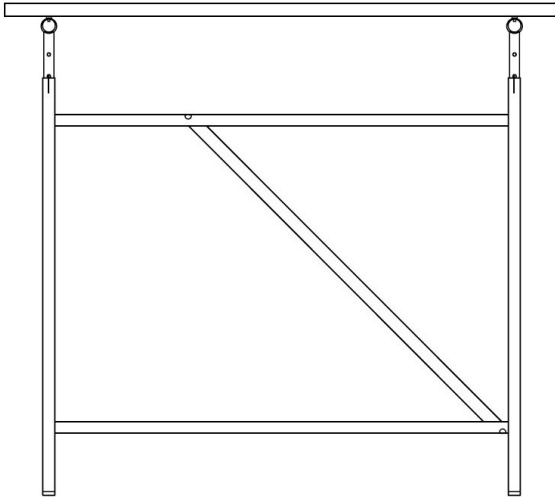
W 47.2" x D 4.7" x H 14.2"/60"

WHITE

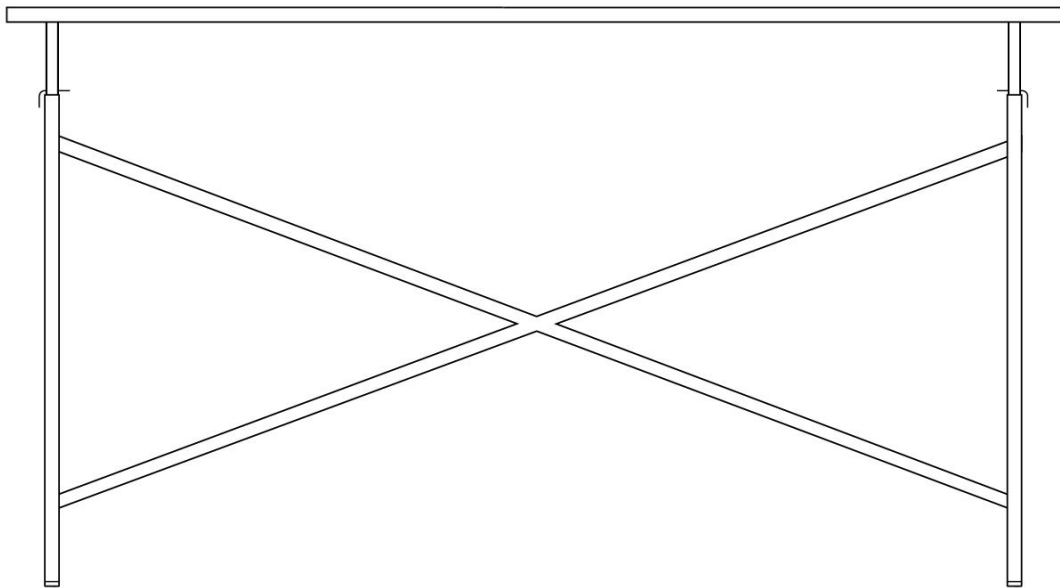
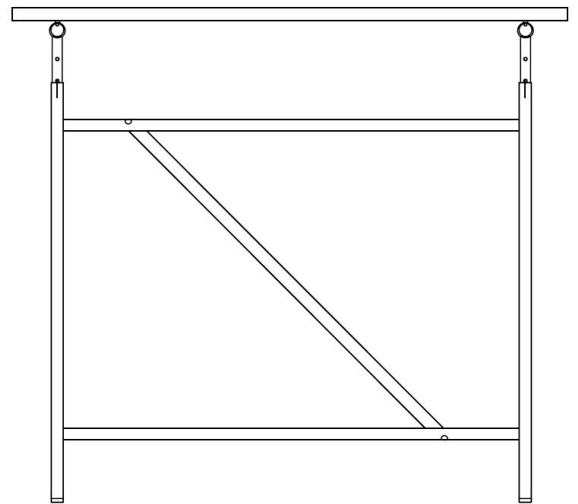
for table heights of 28.3", screen will  
be 7.5" above tabletop.

CROSSBAR

OFF-CENTER CROSSBAR



CENTRAL CROSSBAR



FRAME COLORS

BLACK



CHROME PLATED



SILVER



BASALT GREY



WHITE



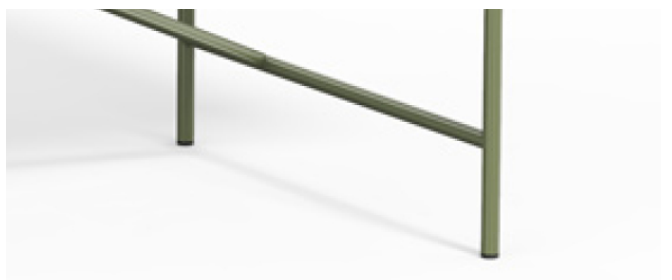
OXIDE RED



BRIGHT ORANGE



OLIVE GREEN



COLORLESS



BRONZE POWDER COATED



TABLE TOP COLORS

5 LAYER  
PLYWOOD oiled



SOLID OAK



MELAMINE  
white



MELAMINE  
white



LINOLEUM  
black



LINOLEUM  
ash



LINOLEUM  
conifer



LINOLEUM  
midnight blue



LINOLEUM  
salsa



LINOLEUM  
pebble

