

EIERMANN 1 Square Table

M RICHARD LAMPERT
D EGON EIERMANN, 1953

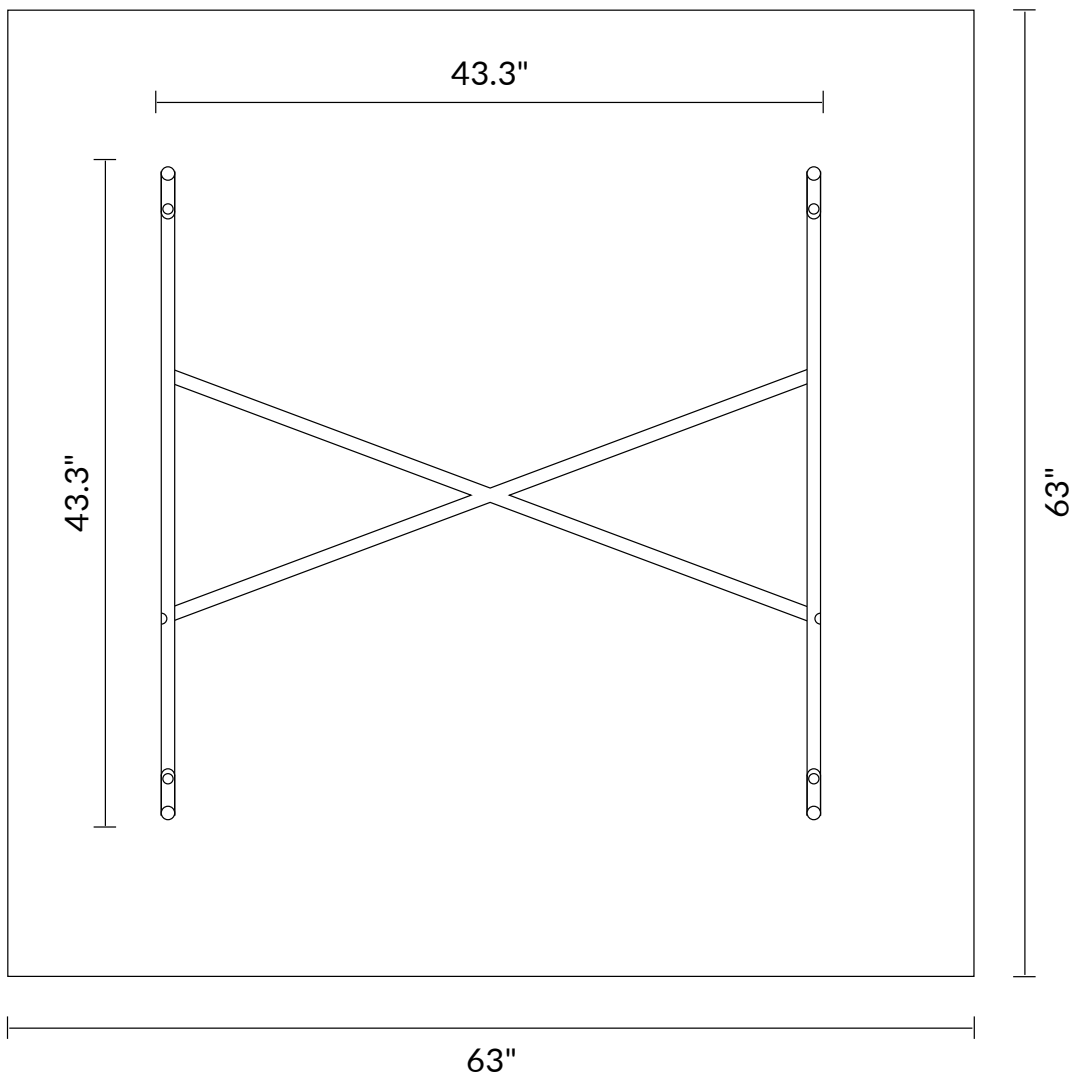
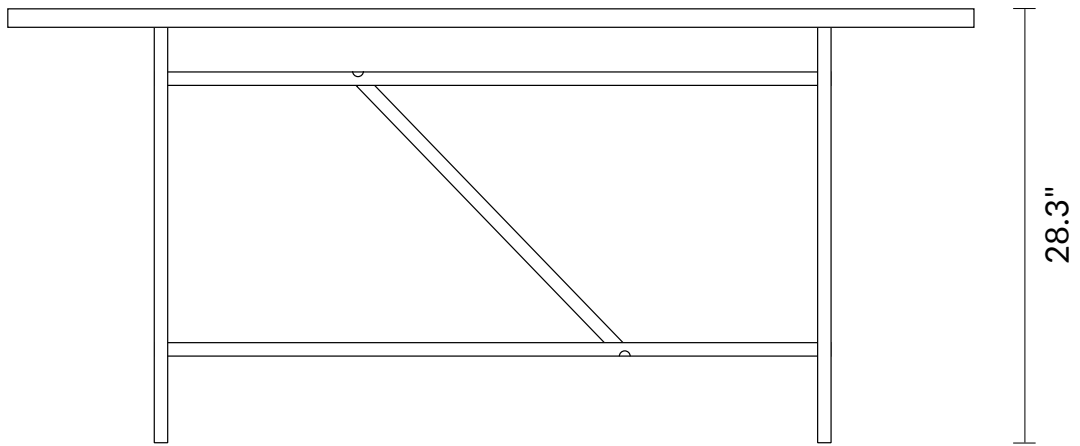
Unique in its many possible combination and use options, the Eiermann 1 Table is a real classic of furniture design. Egon Eiermann designed the original table frame with its slanted crossbars in 1953. The pared-down construction represents the ideal ratio between use of material and stability. For many years the original version seemed to have disappeared, replaced by a variety of frames that did not match the quality of the original. Then, in 1995, the Eiermann family granted Richard Lampert the sole manufacturing rights for the 1953 original, which is now available again in its original, demount-able design. Careful detailing and first-class quality. Pure Eiermann. Exciting and flexible. The table frame will be screwed to the top. Adjusting the height can only be done by using the leveling feet. Ships flat-packed.



TABLE TOP
 W 63" x D 63" x H 1.1"

FRAME
 W 43.3" x D 43.3" x H 27.2"
 height adjustable only by using the leveling feet.

TABLE TOP	FRAME COLORS	FELT GLIDERS
MELAMINE WHITE oak edge	BLACK	for hard surfaces
LINOLEUM BLACK oak edge	WHITE	
	CHROME PLATED	



FRAME COLORS

BLACK



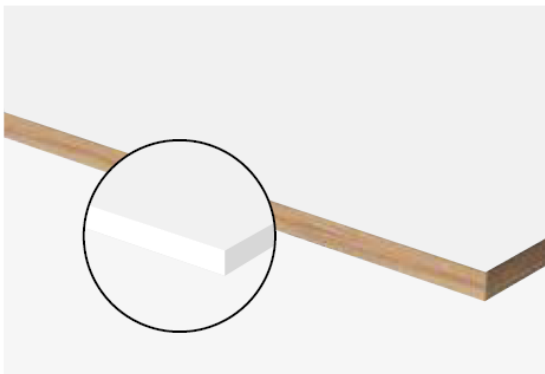
CHROME



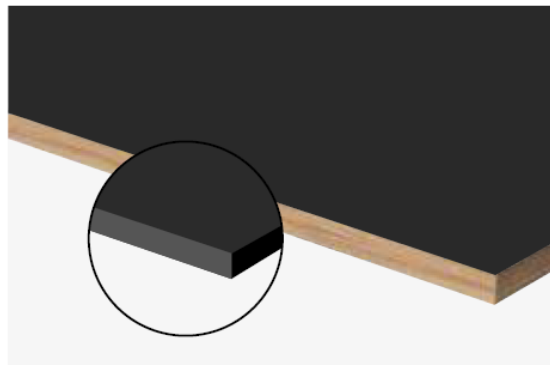
WHITE



TABLE TOP COLOR



MELAMINE white
oak edge



LINOLEUM black
oak edge