

OUT
OBJEKTE UNSERER TAGE

WAGNER



STILLFRIED
WIEN

www.stillfried.com / office@stillfried.com / T +1 212 226 2921 / 40 WALKER STREET, 10013 NEW YORK

WELCOME HOME THE WAGNER DINING CHAIR

Some places immediately radiate a feeling of familiarity and intimacy. The fully upholstered WAGNER Dining Chair invites you to experience this feeling in a special way at any location.

As with the entire WAGNER family, the generous backrest is also a supporting armrest and cultivates the impression of security. The handcrafted upholstery of the WAGNER Dining Chair has an extremely comfortable height in the back area and fits ergonomically. The frame, made of powder-coated or chromed steel, harmonizes the design and makes it stackable.

With a selection of the highest quality fabrics, the WAGNER Dining Chair can be customized for restaurants, the office or the dining table at home. A timeless object that documents local craftsmanship and redefines seating comfort in its class.

Design

OUT, 2020

Material

Seat and back: upholstered in chosen fabric

Base: powder-coated steel

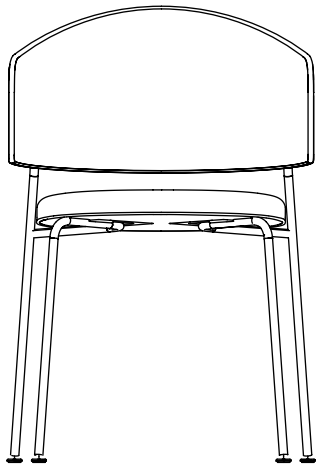
Production process

Frame CNC bent, welded, and ground by hand.

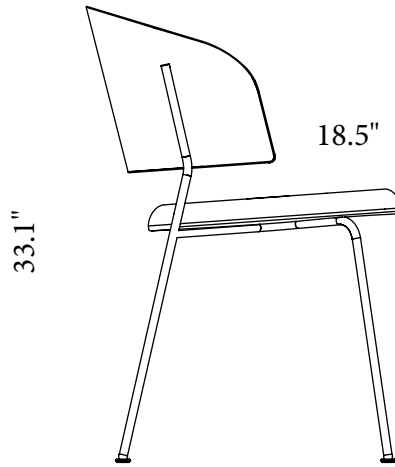
Assembled by hand and upholstered by hand.

Made in Germany.

DIMENSIONS



23.2"



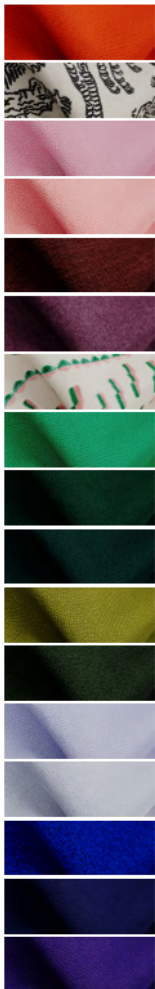
33.1"

18.5"

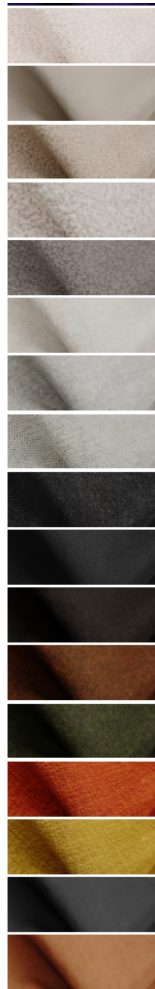
18.5"

23.6"

Stackable (up to 4 chairs)



- Pure orange
(Vidar 4 0542 by Kvadrat/Raf Simons)
- Black/White
(Tiger Mountain Col. 001 by Dedar)
- Blush
(Vidar 4 0526 by Kvadrat/Raf Simons)
- Pink
(Vidar 4 0622 by Kvadrat/Raf Simons)
- Maroon
(A Perfect Flower Col. 005 by Dedar)
- Plum
(Phoenix 541 by OUT)
- Pink/Green
(Tiger Beat Col. 005 by Dedar)
- Emerald
(Vidar 4 0932 by Kvadrat/Raf Simons)
- Sencha
(Xtreme YS045 by Camira)
- Fir green
(Vidar 4 1062 by Kvadrat/Raf Simons)
- Olive green
(Vidar 4 0956 by Kvadrat/Raf Simons)
- Moos green
(Hug Me 032 by Chivasso)
- Lilac blue
(Vidar 4 0723 by Kvadrat/Raf Simons)
- Light blue
(Xtreme YS173 by Camira)
- Cobalt blue
(Berlin 641 by OUT)
- Midnight blue
(Xtreme YS024 by Camira)
- Ultraviolet
(Hallingdal 65 0763 by Kvadrat)



- Ivory
(Berlin 121 by OUT)
- Beige
(Seoul 141 by OUT)
- Sand
(Hug Me 071 by Chivasso)
- Cream
(Nimbus Col. 007 by Dedar)
- Stone gray
(Berlin 801 by OUT)
- Cream
(Lyon 121 by OUT)
- Light gray
(Phoenix 161 by OUT)
- Ash gray
(Hallingdal 65 0110 by Kvadrat)
- Anthracite
(Hallingdal 65 0180 by Kvadrat)
- Anthracite
(Lyon 841 by OUT)
- Dark gray
(Seoul 821 by OUT)
- Copper
(Phoenix 321 by OUT)
- Pine
(Phoenix 761 by OUT)
- Amber
(A Perfect Flower Col. 008 by Dedar)
- Mustard
(A Perfect Flower Col. 009 by Dedar)
- Leather Dunes anthracite
(Sørensen Leather)
- Leather Dunes cognac
(Sørensen Leather)

Glides



Plastic glides



Felt glides

www.stillfried.com / office@stillfried.com / T +1 212 226 2921 / 40 WALKER STREET, 10013 NEW YORK



**DESIGNED IN BERLIN
MADE IN GERMANY**

OUT
OBJEKTE UNSERER TAGE