

SCHULZ CHAIR



OBJEKTE
UNSERER
TAGE




STILLFRIED
WIEN

www.stillfried.com / office@stillfried.com / T +1 212 226 2921 / 40 WALKER STREET, 10013 NEW YORK

SCHULZ is the synthesis of old and new. Solid material and traditional craftsmanship is matched with the design that offers a sophisticated interpretation of the classic wooden chair. One recognizes the archetype of a chair right away. In profile, however, the SCHULZ Chair ignites its very own power. The grain of the wood draws

abstract forms onto the graphic surfaces and shows how traditional materials and modern forms can be combined symbiotically. With its catchy beauty and long-lasting quality, the SCHULZ Chair has all the characteristics that make an icon.

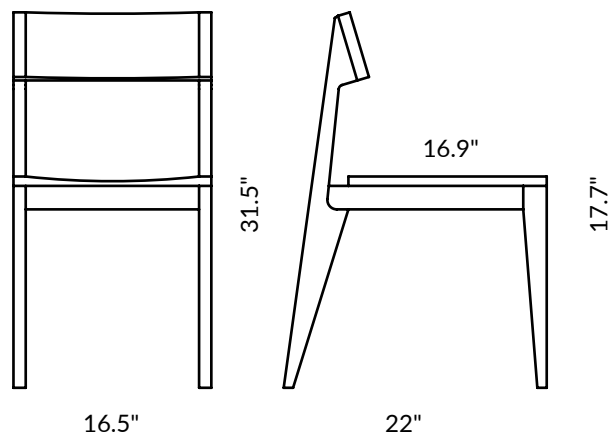
Design
 OUT, 2015

SKU	OPTION
SUC001	 Solid ash waxed with white pigment
SUC020	 Solid oak waxed
SUC021	 Solid oak waxed with white pigment
SUC030	 Solid walnut waxed
SUC004	 Solid ash lacquered white
SUC003	 Solid ash lacquered black
SUC015	 Solid ash lacquered Berlin blue
SUC018	 Solid ash lacquered lilac
SUC019	 Solid ash lacquered emerald
SUC014	 Solid ash lacquered sulfur yellow
SUC011	 Solid ash lacquered pure orange
SUC006	 Solid ash lacquered aprikosa
SUC005	 Solid ash lacquered luminous red
CUSTOM-MADE OPTIONS	
SUCC01	 Solid ash lacquered in RAL color of choice

Material
 Waxed ash, waxed oak, waxed walnut or lacquered oak

Production process
 CNC milled and handcrafted. Made in Germany.

Sustainability
 FSC certified wood



Glides



Plastic glides



Felt glides