

SCHULZ BAR STOOL



OBJEKTE
UNSERER
TAGE



**STILLFRIED**
WIEN

The SCHULZ Bar Stool is the logical addition to the SCHULZ Chair and enriches the collection of OBJEKTE UNSERER TAGE with another icon. The chair and bar stool clearly share the dynamic silhouette that gives both objects a lively aura. The bar stool, which has been manufactured with the utmost precision, harmoniously combines graphic surfaces into a unity of material, color and form. His appearance is futuristic, almost abstract and thus contrasts his traditional roots.

DESIGN

Anton Rahlwes, 2016

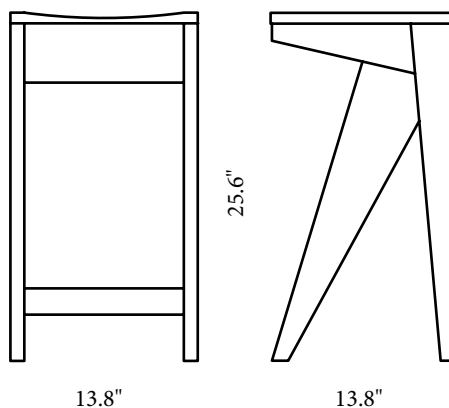
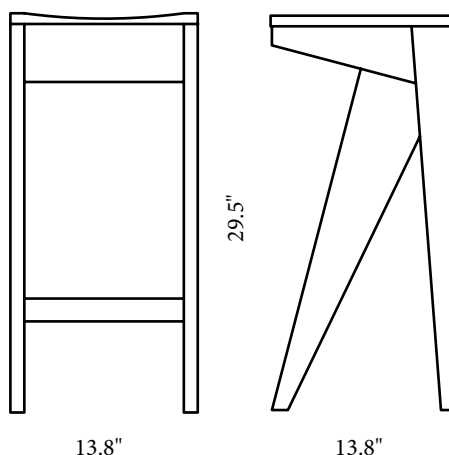
MATERIAL

Waxed ash, waxed oak, waxed walnut, lacquered ash; custom-made design available (additional woods, colors, and dimensions)

FINISH

Wood & Color Options

SKU	OPTION
SUC001	 Solid ash waxed with white pigment
SUC020	 Solid oak waxed
SUC021	 Solid oak waxed with white pigment
SUC030	 Solid walnut waxed
SUC004	 Solid ash lacquered white
SUC003	 Solid ash lacquered black
SUC015	 Solid ash lacquered Berlin blue
SUC018	 Solid ash lacquered lilac
SUC019	 Solid ash lacquered emerald
SUC014	 Solid ash lacquered sulfur yellow
SUC011	 Solid ash lacquered pure orange
SUC006	 Solid ash lacquered aprikosa
SUC005	 Solid ash lacquered luminous red
CUSTOM-MADE OPTIONS	
SUCC01	 Solid ash lacquered in RAL color of choice



Glides



Plastic glides



Felt glides