

EGAL BOARDS

Design: by Axel Kufus, 2018

One body, lots of possibilities

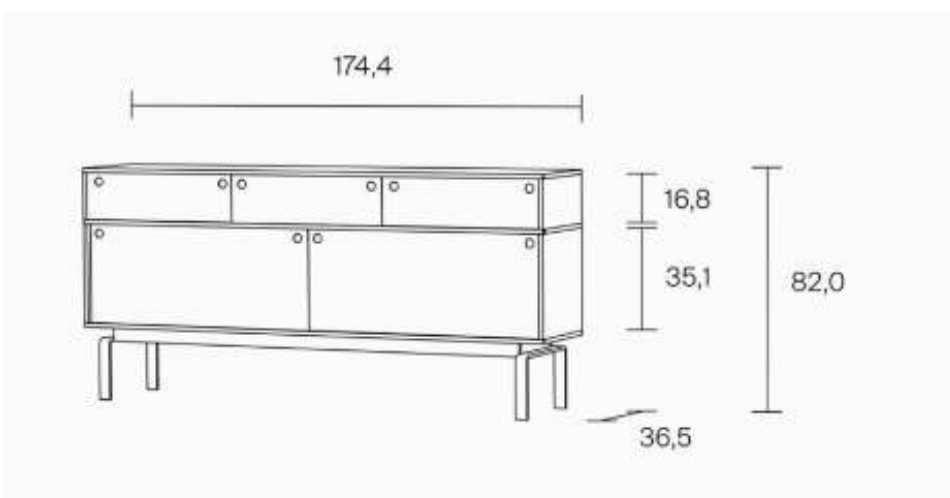
Egal (German for however) is just the name. Of course we left nothing to chance when specifying the shape, material and additional elements. The linear body is optionally placed onto rollers, a base or feet made from nitrided steel. The Seatboard is fitted out with a bright felt covering. The MDF sliding doors come in orange, blue, black and white. Another door option features polished stainless steel for an eye-catching, unique appearance.

Craftsmanship meets industrial production

When industrial production and craftsmanship fuse, the character of our furniture is often created. The Egal Sideboard versions are the perfect example. There is our village blacksmith who ensures that the base and gently curved runners are shaped just right. Then, there are industrially produced heavy-duty rollers providing an exciting contrast. The Highboard finished in MDF Bicolor black makes for a particularly classy look.

EGAL SIDEBOARD

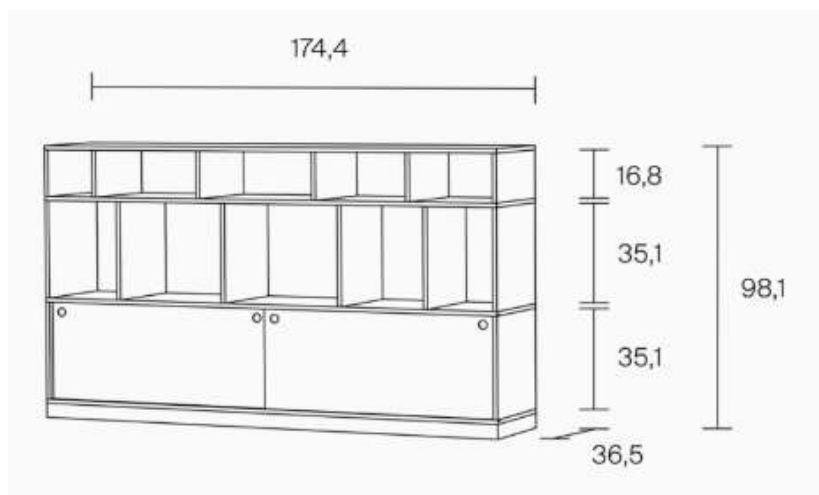
www.stillfried.com



Egal Sideboard
Height: 82.0
Width: 174.4
Depth: 36.5
Compartment heights: 16.8 and 35.0

EGAL HIGHBOARD

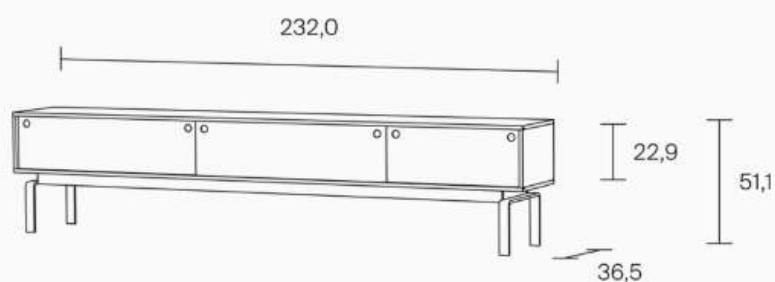
www.stillfried.com



Egal Highboard
Height: 98.1
Width: 174.4
Depth: 36.5
Compartment heights: 16.8 and 35.0

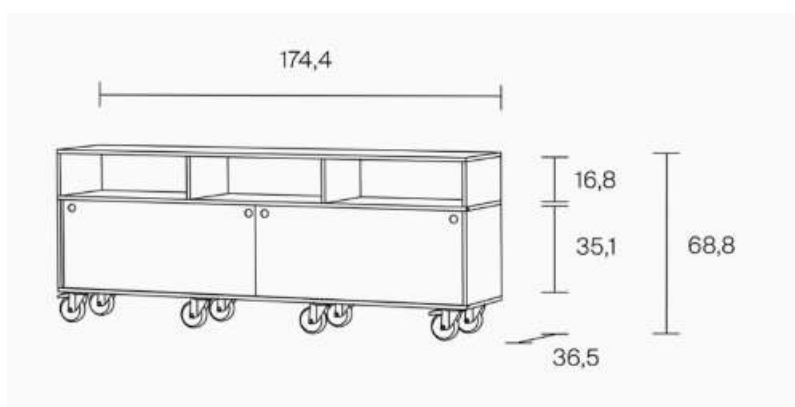
EGAL LOWBOARD

www.stillfried.com



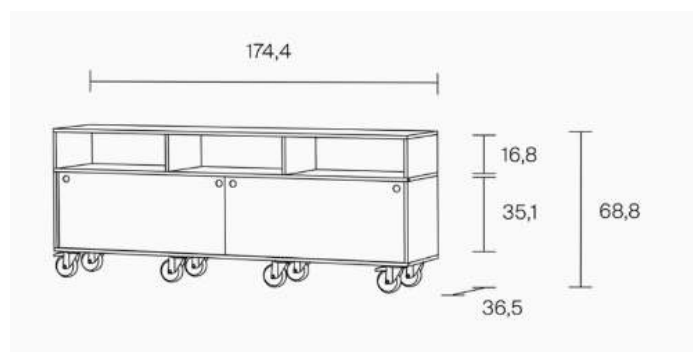
Egal Lowboard
Height: 51.1
Width: 232.0
Depth: 36.5
Compartment height: 22.9

EGAL ROLLBOARD



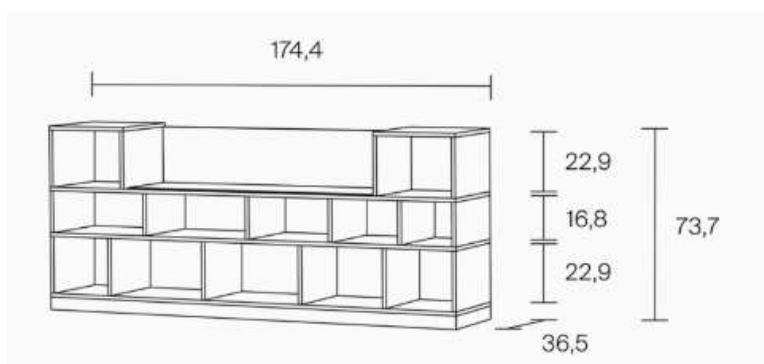
Egal Rollboard
Height: 68.8
Width: 174.4
Depth: 36.5
Compartment heights: 16.8 and 35.0

EGAL ROCKBOARD



Egal Rockboard
Height: 68.8
Width: 174.4
Depth: 36.5
Compartment heights: 16.8 and 35.0

EGAL SITZBOARD



Egal Seatboard

Height: 73.7

Width: 174.4

Depth: 36.5

Compartment heights: 16.8 and 22.9

Seating h/w/d: 49.8/107.4/34.6

General Information

A cable outlet can be integrated in the rear wall on request.

RAL / NCS colours

Luminous Red: RAL 3024 (Sliding door Egal Sideboard)

Not White: RAL 1013 (Sliding door Egal Lowboard)

Moorange: RAL 2005 (Sliding door Egal Rollboard / Highboard)

Moorblue: RAL 5002 (Sliding door Egal Rollboard)

Shipping and Assembly

The individual units are shipped in flat pack form.

Material

Corpus: FU (birch plywood) or Bicolor

Rear wall: FU (birch plywood) or Bicolor

Sliding doors: MDF varnished or Stainless steel polished

Feet (Sideboard / Lowboard): Steel nitrided

Rolls (Rollboard / Rockboard): Plastic, steel frame zinc plated / black coated

Base (Seatboard / Highboard): FU (birch plywood) or Bicolor

Seat pad: Felt

Production

Produced in small craft companies in the Chiemgau region and surrounding area.