

KALMAR®
WERKSTÄTTEN



Krems


STILLFRIED
WIEN

40 WALKER STREET, 10013 NY T 212 226 2921

OFFICE@STILLFRIED.COM WWW.STILLFRIED.COM



Polished Nickel | Silk

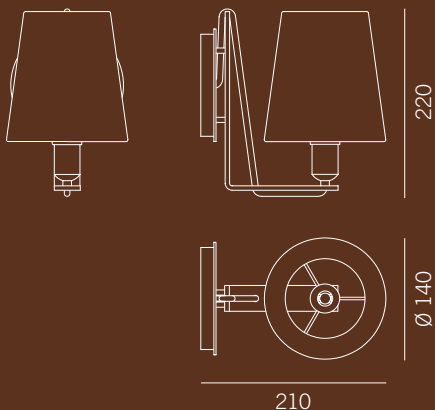


Krems Wall Lamp

Krems' polished nickel and polished brass mounting plate reflects soft light cast by a single lamp. Conceived by J.T. Kalmar as a study in contrasts, the armature also includes a black textile cord created exclusively for Kalmar Werkstätten. Perfectly suited for flanking mirrors, the luminaire provides small-scale task lighting as well as atmospheric light in larger rooms.

DIMENSIONS

in mm



MATERIAL OPTIONS

Metal

Polished Nickel
Polished Brass

Shade

Silk

Cable

Black Color Textile

Electrical Specifications

1 x G9 40W

Weight

1.5 kg

©2015 These designs are the exclusive property of J.T. Kalmar GmbH and may not be copied or adapted for this or any other use without express written permission



Polished Brass | Silk